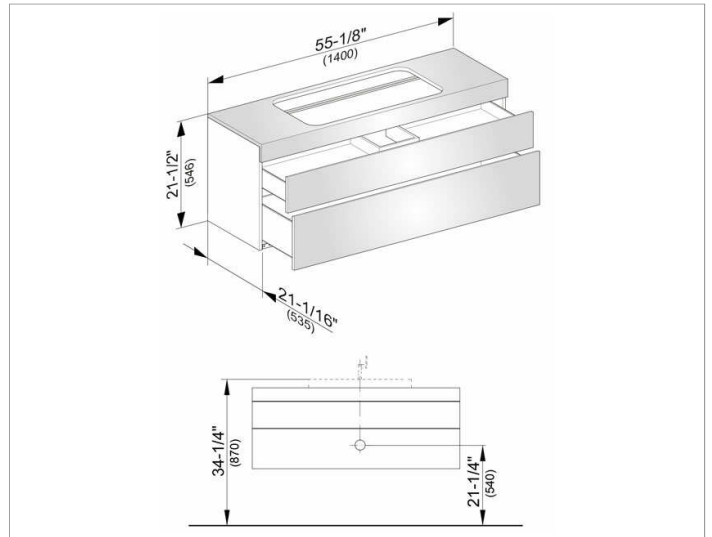


**Edition 400**  
**31583XX0100 Vanity unit**

**PRODUCT**



**DRAWING**



**PRODUCT ATTRIBUTES**

with tap hole,  
 compatible with ceramic washbasin Article No. 31580,  
 2 drawer fronts with push-to-open mechanism and  
 soft closing,  
 incl. odor trap made of plastic 1-1/4 x 1-1/4 inches

**SURFACE**

37, 38, 39, 45

**DIMENSION**

55,12 x 21,5 x 21,06 "

**Warranty:** KEUCO products are covered by a 5-year manufacturer's warranty, in effect from the date of purchase. During this time, proven product defects will be remedied free of charge. Warranty claims must be filed in writing, including a detailed description of the defect immediately after a defect has occurred. For a copy of our detailed product warranty policy, please contact us at [office-usa@keuco.com](mailto:office-usa@keuco.com).

**Installation:** KEUCO products must be installed by a qualified professional in accordance with the respective installation guidelines and any applicable federal / local building codes and regulations.