



Buy it for looks. Buy it for life.®

Specifications

DESCRIPTION

- Non-metallic construction with various finishes identified by suffix
- Double check valves included in handle

OPERATION

- Push button, six function

FLOW

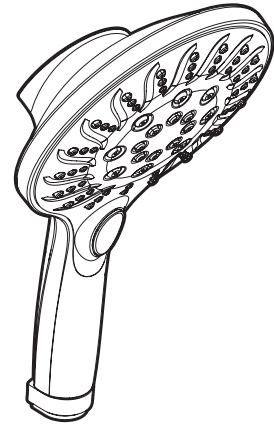
- Designed to deliver 1.75gpm (6.7 L/min) max. at 80 psi

STANDARDS

- Designed and manufactured to comply with the applicable requirements of ASME A112.18.1/CSA B-125.1, ASSE 1014 and all applicable specifications referenced therein

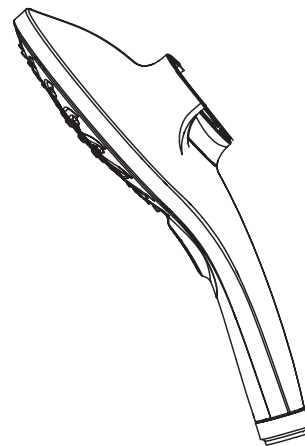
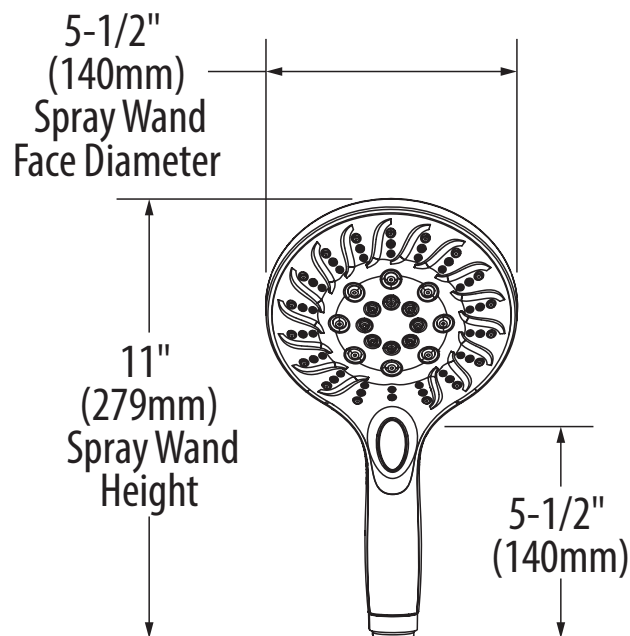
WARRANTY

- Lifetime limited warranty against leaks, drips and finish defects to the original consumer purchaser
- 5 year warranty if used in commercial application



Handshower

Models: 187054 series



CRITICAL DIMENSIONS

(DO NOT SCALE)