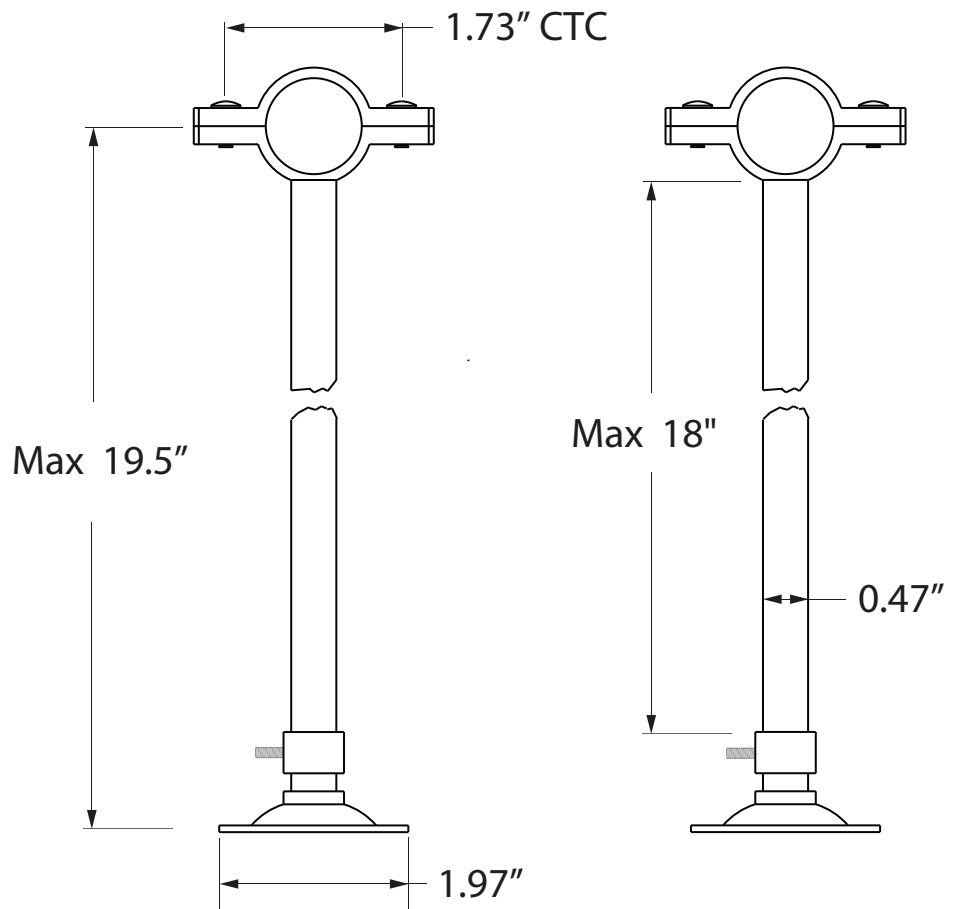
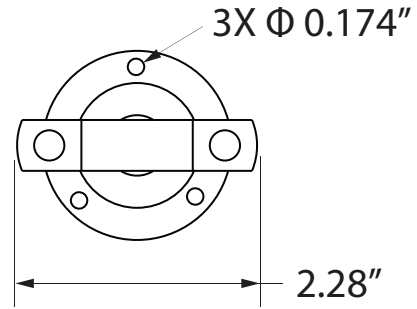




Model # 3350

INSTRUCTIONS

1. Rough out the installation of the support brackets, determining where you want to install them. Measure and cut the support tubes to the desired length.
2. Drill three 1/8" holes per your determined measurements.
3. Attach the flange escutcheons to the bottom of each support tube using the provided set screw.
4. Attach the mounting bracket assembly to the supply lines.
5. Attach support bracket assembly to the wall using existing screws.



CARE AND MAINTENANCE

Minimum Maintenance is required to maintain product finish. With proper maintenance your CHEVIOT Faucet will continually look like new. Special care should be taken when cleaning your faucet and the following suggestions should help extend your faucet life.

- a) Cleaning should be done regularly using a soft cotton cloth and warm water, then towel dry.
- b) Do not use cleaners that contain abrasives or harsh chemicals; Care should be taken in selecting cleaning supplies. Many cleaners contain detergents, ammonia, or other corrosive solvents that could damage your faucet finish.
- c) occasionally clean with a non-abrasive wax polish.

Tel : (800)-444-5969

www.cheviotproducts.com