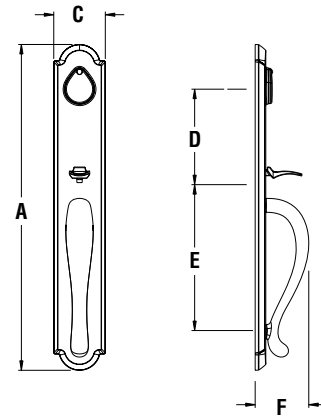
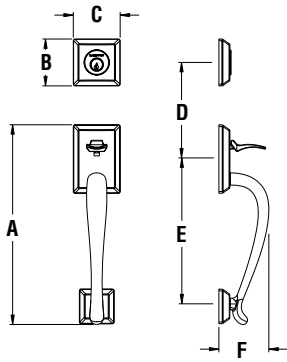
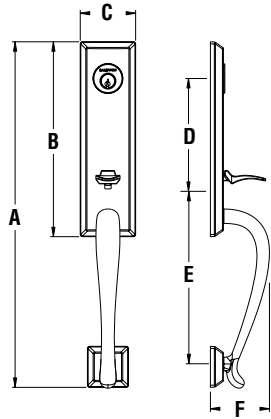


# DIMENSIONS & SPECIFICATIONS – HANDLESETS



SECTIONAL				
	NAP	COL	WES	ADI
A	11-1/2"	12"	12-1/16"	12-1/16"
B	2-11/16"	3-15/16"	3-7/16"	3-7/8"
C	2-11/16"	2-11/16"	2-11/16"	2-11/16"
D	Adjustable	Adjustable	Adjustable	Adjustable
E	8-7/16"	8-7/16"	8-7/16"	8-7/16"
F	2-8/9"	2-8/9"	3-1/16"	3-1/8"

FULL ESCUTCHEON		
	ELK	LON
A	18-3/4"	18-1/2"
B	N/A	N/A
C	2-15/16"	2-15/16"
D	5-1/2"	5-1/2"
E	8-7/16"	8-7/16"
F	3-1/16"	3-1/8"



3/4 ESCUTCHEON				
	DEL	CHE	NEW	ELI
A	16-13/16"	18-1/4"	17-5/8"	18-11/16"
B	9-1/2"	10-13/16"	10-5/16"	10-5/16"
C	2-11/16"	3-1/8"	2-11/16"	2-11/16"
D	5-1/2"	5-1/2"	5-1/2"	5-1/2"
E	8-7/16"	8-7/16"	8-7/16"	8-7/16"
F	2-8/9"	2-8/9"	3-1/16"	3-5/16"

3/4 ESCUTCHEON					
	MIA	SEA	KOD	FAI	GOT
A	18-1/16"	17-1/2"	18-1/2"	17-11/16"	20-5/16"
B	9-7/8"	9-1/2"	10-9/16"	10"	11-3/16"
C	2-11/16"	2-11/16"	2-15/16"	2-15/16"	2-7/8"
D	5-1/2"	5-1/2"	5-1/2"	5-1/2"	5-1/2"
E	8-7/16"	8-7/16"	8-7/16"	8-7/16"	8-7/16"
F	3"	2-7/16"	3-1/16"	3-1/8"	3-1/16"

## HANDLESET SPECIFICATIONS

Door Preparation	2-1/8" Cross Bore for both deadbolt and grip. 1" edge bore for both grip latch and deadbolt latch.
Door Thickness	1-3/4" to 2" standard. Up to 2-1/2" doors optional through thick door options or service part kit.
Cylinder	Baldwin C-Keyway standard. SmartKey® Re-key Technology optional.
Backset	Adjustable 2-3/8" or 2-3/4"
Front & Latch	Square Corner Adjustable (SL) standard. Round Corner (RL), Drive-In (DL), or 6 Way Adjustable (6L) optional.
Strike	Square Corner (SS) standard. Round Corner (RS), or Dual Strike (DS) optional. Extended Lip strike shipped with all thick door locks (ES).
Latch Bolt	Deadbolt features 1" throw Brass bolt latch. Grip offers 1/2" passage/privacy function bolt.
Handing	Handing only required when ordering lever interior style.
ANSI/BHMA	Deadbolt tested to exceed ANSI/BHMA Grade 2 security.
ADA	N/A
UL	20-minute certified UL option available.