

SHOWER
Pressure Balancing Shower
System - Tub and Shower& Trim)
G-7165-C2S

GRAFF®



Information

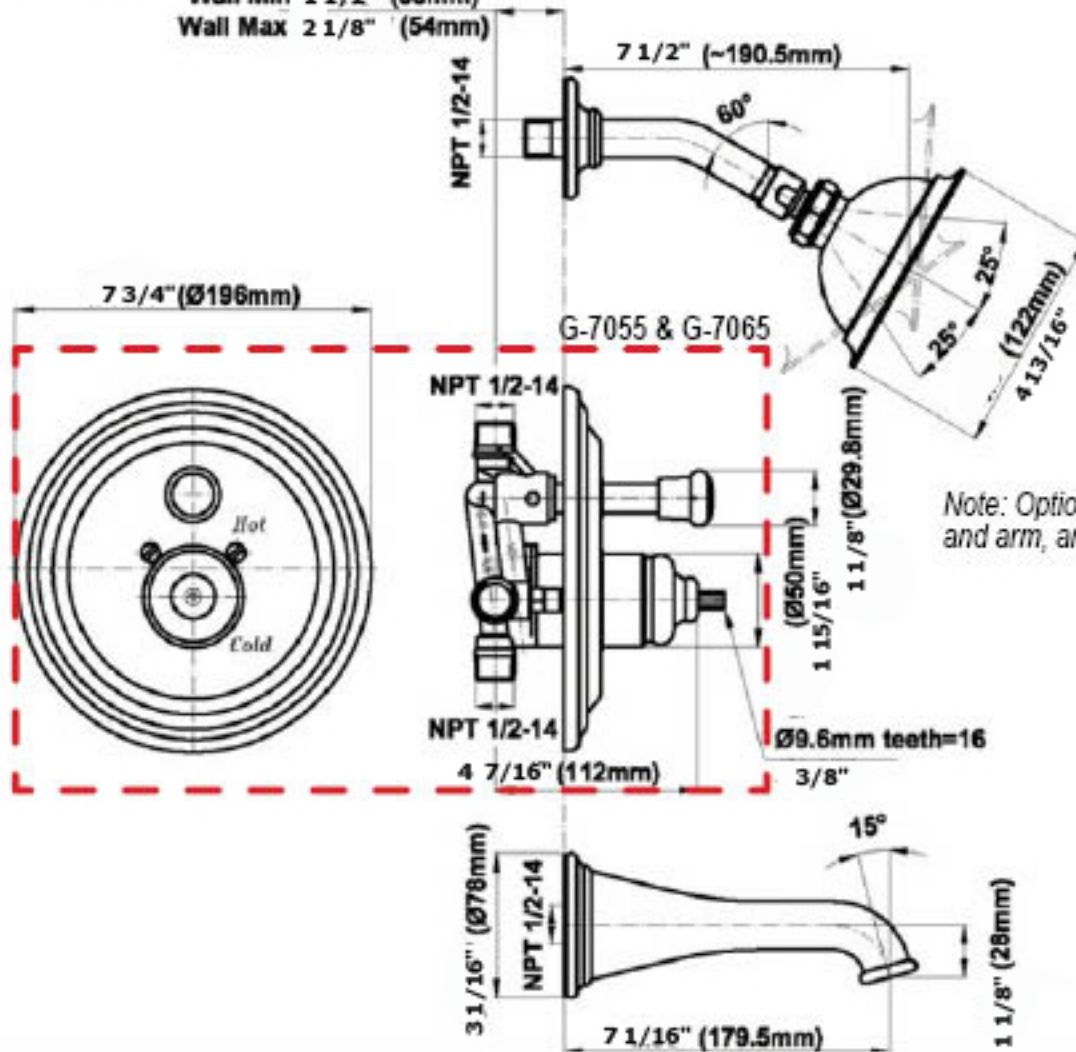
- 1/2" pressure balance valve with diverter and trim
- 5" showerhead with 5" wall-mounted shower arm
- 7" traditional tub spout
- Optional extension kit
- Showerhead flow rate ≤ 1.8 max gpm
- CALGreen

Complete Shower Set G-7165

Trim and Valve Kit Only G-7055 & G-7065

Wall Min 1 1/2" (38mm)

Wall Max 2 1/8" (54mm)



Note: Optional Shower head and arm, and tub spout shown.

Trim Only G-7065-XX

Includes one of the following handles:

Model	Series
S1	Eleganté, Chanteaux
S2	Eleganté, Chanteaux
LM2	Eleganté, Atlantis
LM10S	Pesaro
LM15S	Nantucket, Chanteaux
LM20S	Bali
LM22S	Lauren
C2S	Atlantis
C3S	Pesaro

SHOWER
Concealed Pressure Balancing
Valve Rough w/Diverter
G-7055

GRAFF®



Information

- Anti-scald protection
- 1/2" universal inlets/outlets with male threads
- Built-in service stops
- Push-button diverter
- For use with tub & shower configuration
- Supplied with protective plastic guard

Finishes



24K Gold



24K Brushed
Gold



Olive Bronze



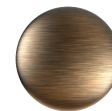
Polished
Chrome



Polished
Nickel



Steelnox®
(Satin Nickel)



Vintage
Brushed Brass

G-7055

1/2" Rough Valve w/Diverter



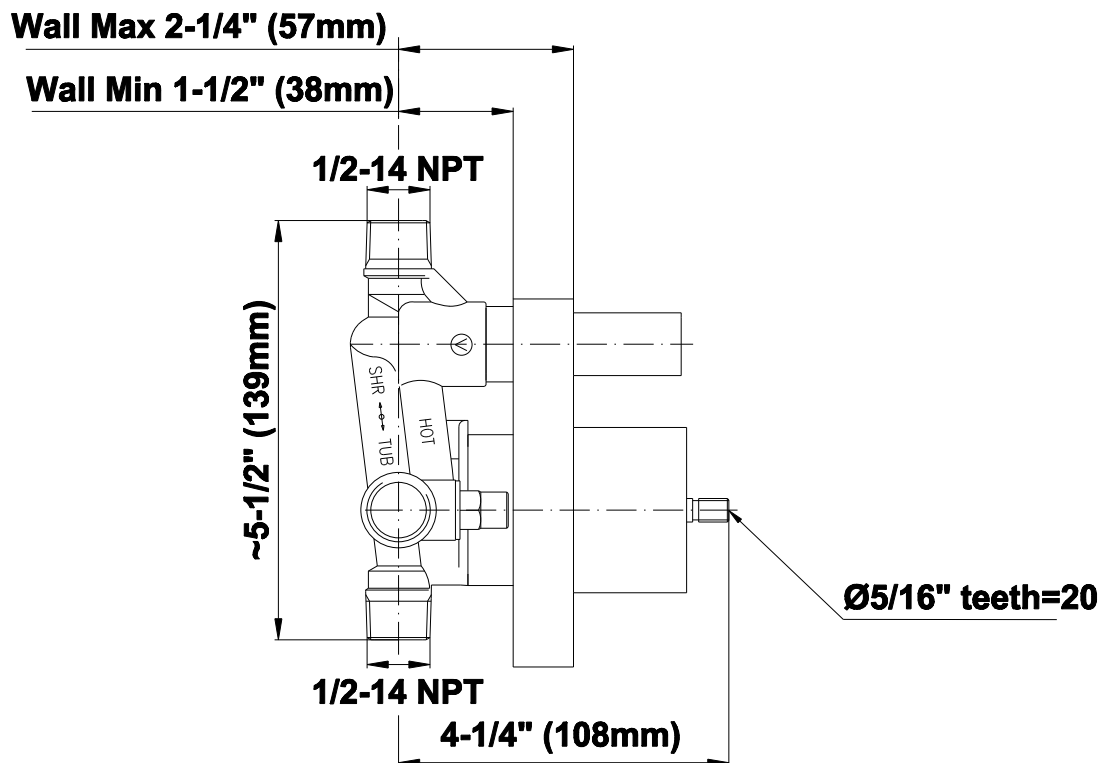
Product Features

- Anti-scald protection
- 1/2" universal inlets/outlets with male threads
- Built-in service stops
- Push-button diverter
- For use with tub & shower configuration
- Supplied with protective plastic guard

Warranty

- Limited lifetime warranty

For complete warranty information go to www.graff-faucets.com/en-nam/warranty



The measurements shown are for reference only. Products and specifications shown are subject to change without notice. Revised 06/2014.

www.graff-faucets.com | phone: 800-954-4723

SHOWER
Canterbury trim Plate w/Handle
G-7065-C2S-T

GRAFF[®]



Information

- Single metal lever handle
- Decorative trim plate
- Includes push-button diverter
- Use with G-7055 pressure balancing rough valve for shower and tub configurations
- To complete package, you must order rough valve

Finishes



24K Gold



24K Brushed
Gold



Olive Bronze



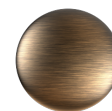
Polished
Chrome



Polished
Nickel

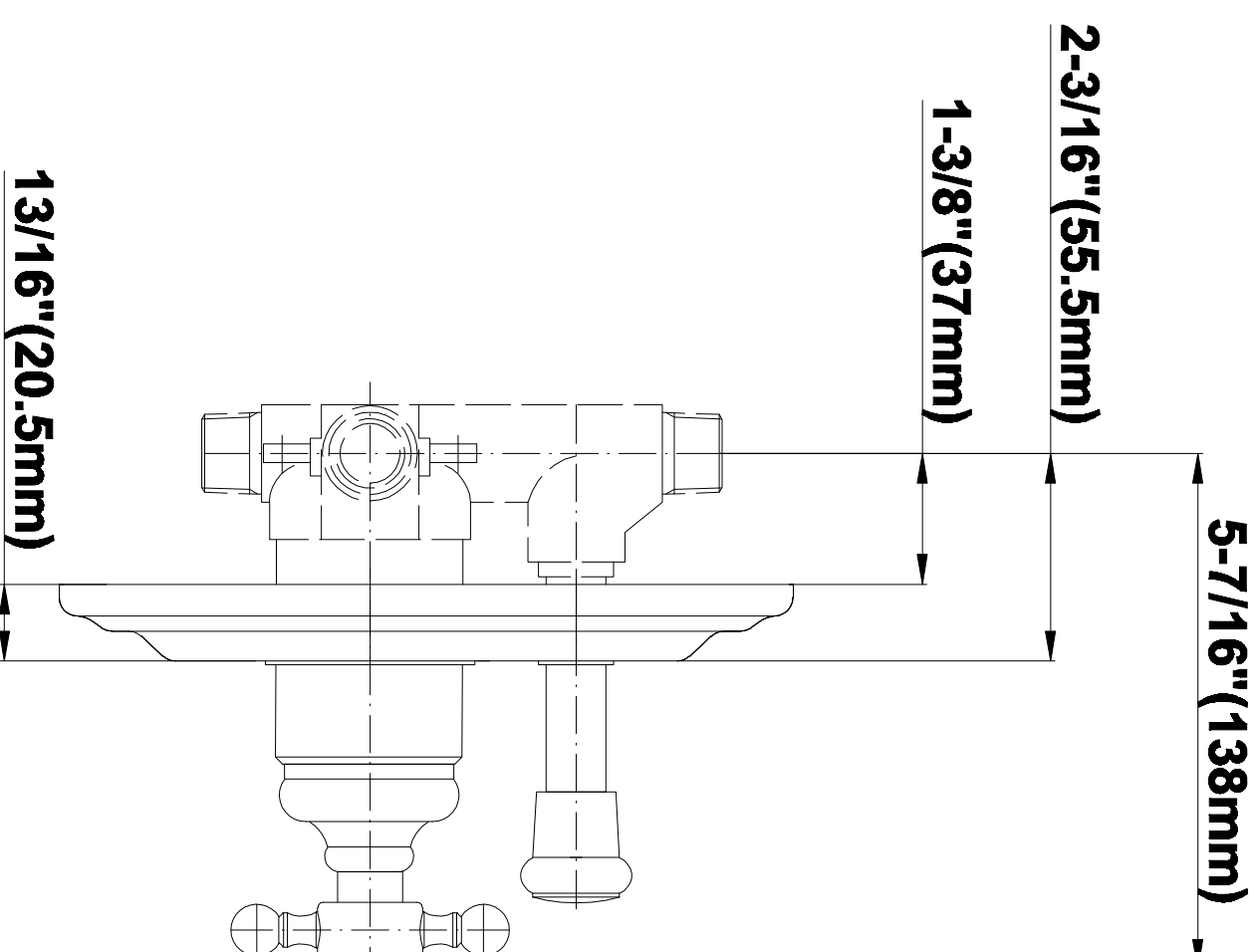
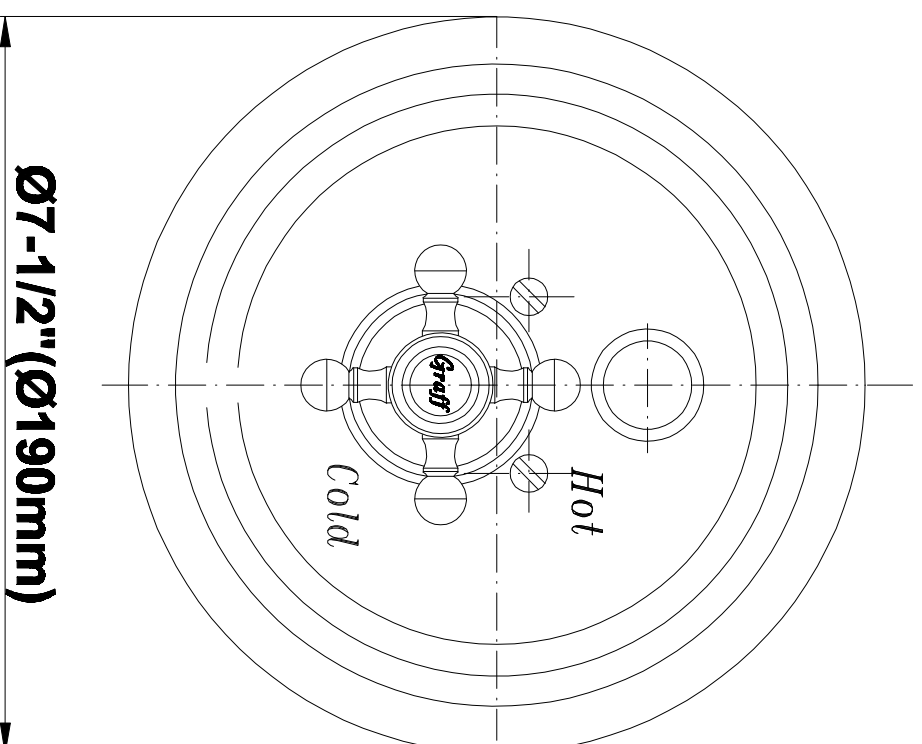


Steelnox[®]
(Satin Nickel)



Vintage
Brushed Brass

G-7065



SHOWER
5" Elegant Showerhead
G-8440

GRAFF®



Information

- Original, unique shape
- 40 spray openings
- Metal ball-joint allows for showerhead angle adjustment
- Showerhead flow rate ≤ 1.8 max gpm
- CALGreen

Finishes



24K Gold



24K Brushed
Gold



Olive Bronze



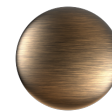
Polished
Chrome



Polished
Nickel



Steelnox®
(Satin Nickel)



Vintage
Brushed Brass

G-8440

5" Elegant Showerhead



Product Features

- Original, unique shape, 40 spray openings
- Metal ball-joint allows for showerhead angle adjustment
- Showerhead flow rate ≤ 1.8 max gpm

Code Compliance

- CALGreen

Warranty

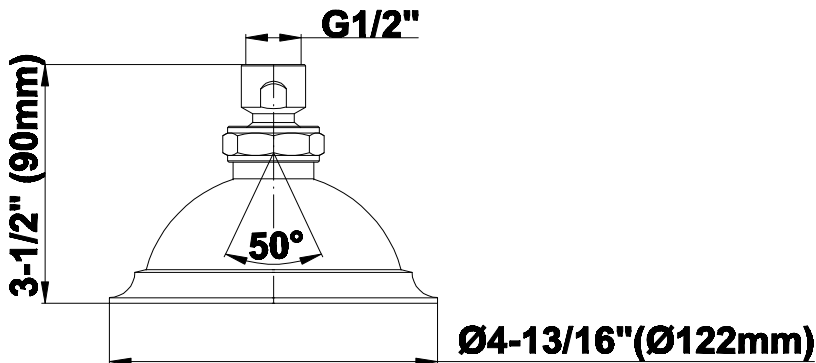
- Limited lifetime warranty

For complete warranty information go to www.graff-designs.com/en-nam/warranty

Available Finishes

- Polished Chrome
G-8440-PC
- Polished Nickel
G-8440-PN
- Brushed Nickel
G-8440-BNi
- Unfinished Brushed Brass*
G-8440-UBB*
- Unfinished Brass*
G-8440-UB*
- Matte Black*
G-8440-MBK*
- Architectural Black*
G-8440-BK*
- Architectural White*
G-8440-WT*
- Steelnnox
G-8440-SN
- Olive Brass
G-8440-OB
- Gunmetal*
G-8440-GM*
- Vintage Brushed Brass*
G-8440-VBB*
- OR'osa PVD*
G-8440-RG*
- Onyx PVD*
G-8440-OX*
- Polished Brass PVD*
G-8440-PB*
- Brushed Brass PVD*
G-8440-BB*
- Brushed Gold*
G-8440-BAU*
- Gold*
G-8440-AU*
- Gunmetal Distressed*
G-8440-GMD*

* Special order finish- call for availability



SHOWER
Traditional 5" Shower Arm
G-8520

GRAFF®



Information

- Includes arm and flange
- 1/2" NPT male thread inlet
- For use with all showerheads (especially G-8420, G-8440 and G-8450)

Finishes



24K Gold



24K Brushed
Gold



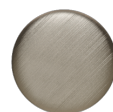
Olive Bronze



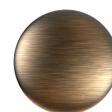
Polished
Chrome



Polished
Nickel

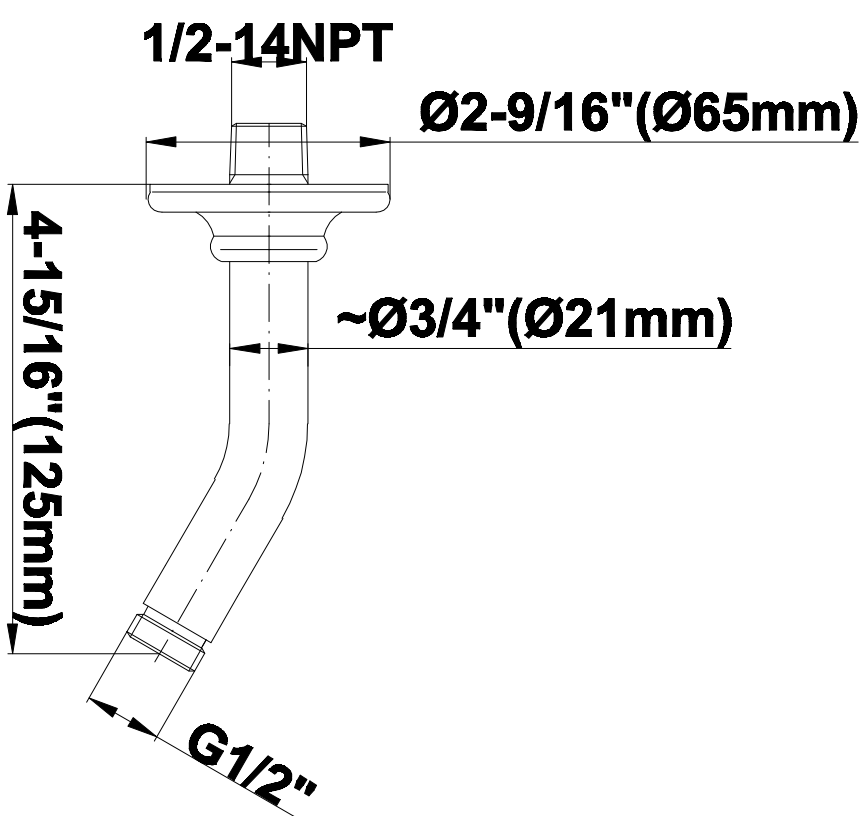


Steelnox®
(Satin Nickel)



Vintage
Brushed Brass

G-8520



SHOWER
7" Traditional Tub Spout
G-8550

GRAFF®



Information

- Includes spout ring
- 1/2" NPT female thread inlet
- Tub spout flow rate ~ 19.8 gpm @60 psi

Finishes



24K Gold



24K Brushed
Gold



Olive Bronze



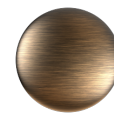
Polished
Chrome



Polished
Nickel



Steelnox®
(Satin Nickel)



Vintage
Brushed Brass

G-8550

