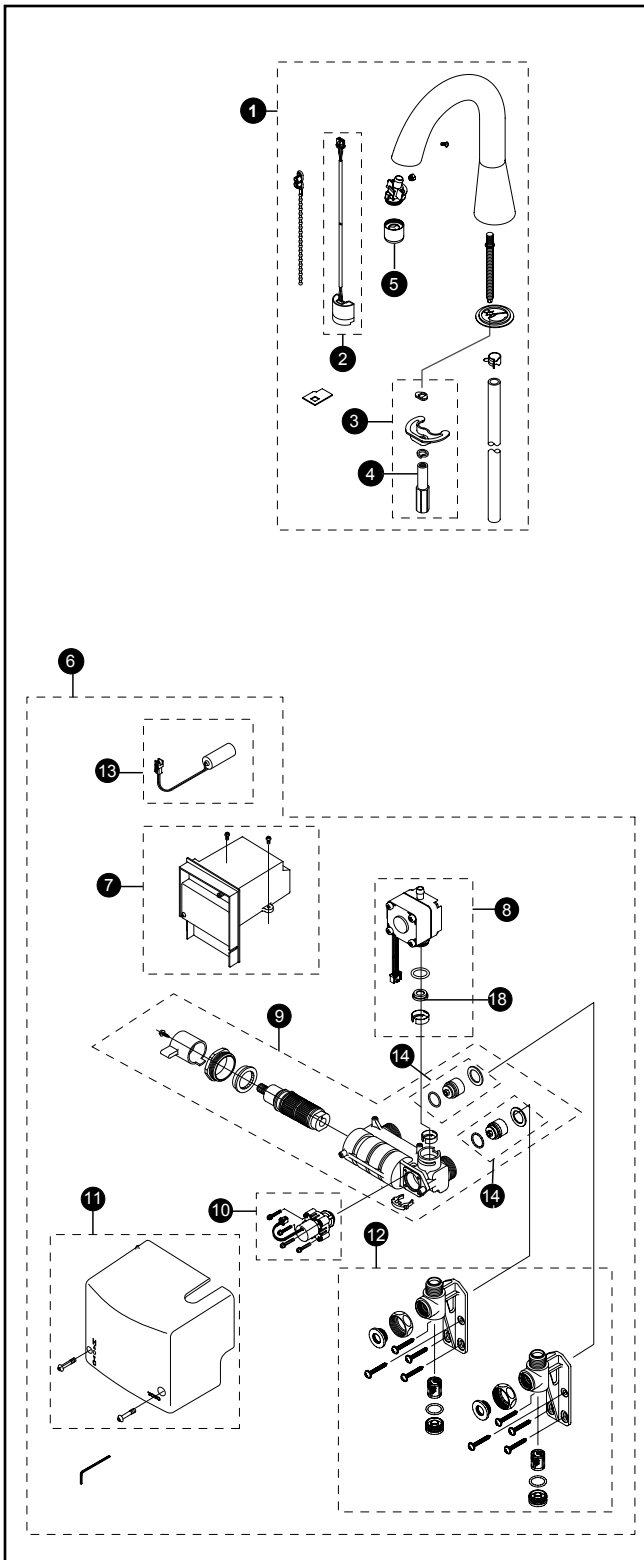


TEL5GG10#CP
 TEL5GG60#CP
 TEL76GV100N (Spout)
 TN78-10V510 (TEL5GG10#CP Dynamo)
 TN78-10V560 (TEL5GG60#CP Dynamo)

Sensor Faucet, Gooseneck Spout Self-Generating EcoPower® System Thermal Mixing, 1.0GPM



Item	Part	Description
1	TEL76GV100N	Spout Assembly (Without Flexible Tube)
2	TH559EDV405	Sensor
3	TH559EDV402R	Spout Mounting Kit
4	TH559EDV403R	Spout Nut
5	TH559EDV564	Nozzle Assembly Set (Aerator Flow Type)
	TH559EDV432	Nozzle Assembly Set (Laminar Flow Type)
6	TN78-10V510	Dynamo Assembly (10 Sec. Unit)
	TN78-10V560	Dynamo Assembly (60 Sec. Unit)
7	TH559EDV560	Thermal Dynamo Control Unit 10 sec.
	TH559EDV467	Thermal Dynamo Control Unit 60 sec.
8	TH559EDV561	Dynamo Hydropower Generator
9	TH559EDV469	Thermal Mixing Valve
10	TH559EDV470	Solenoid & Diaphragm Assembly
11	TH559EDV471	Control Cover Set
12	TH559EDV429R	Mounting Bracket Set
13	TH559EDV410R	Back Up Battery
14	TH559EDV472	Check Valve
15	TN71V100S	Cover Plate - 4"
16	71244T8CC	Cover Plate - 8"
17	TH559EDV572	1.0gpm Flow Regulator

Product Number Explanations

Faucet
 (T) Fitting
 (E) Electronic
 (L) Lavatory
 (S) Thermal Mixing
 (G) Generator Type
 (G) Gooseneck Spout
 (10) 10 Second
 (60) 60 Second
 (#CP) Chrome Finish