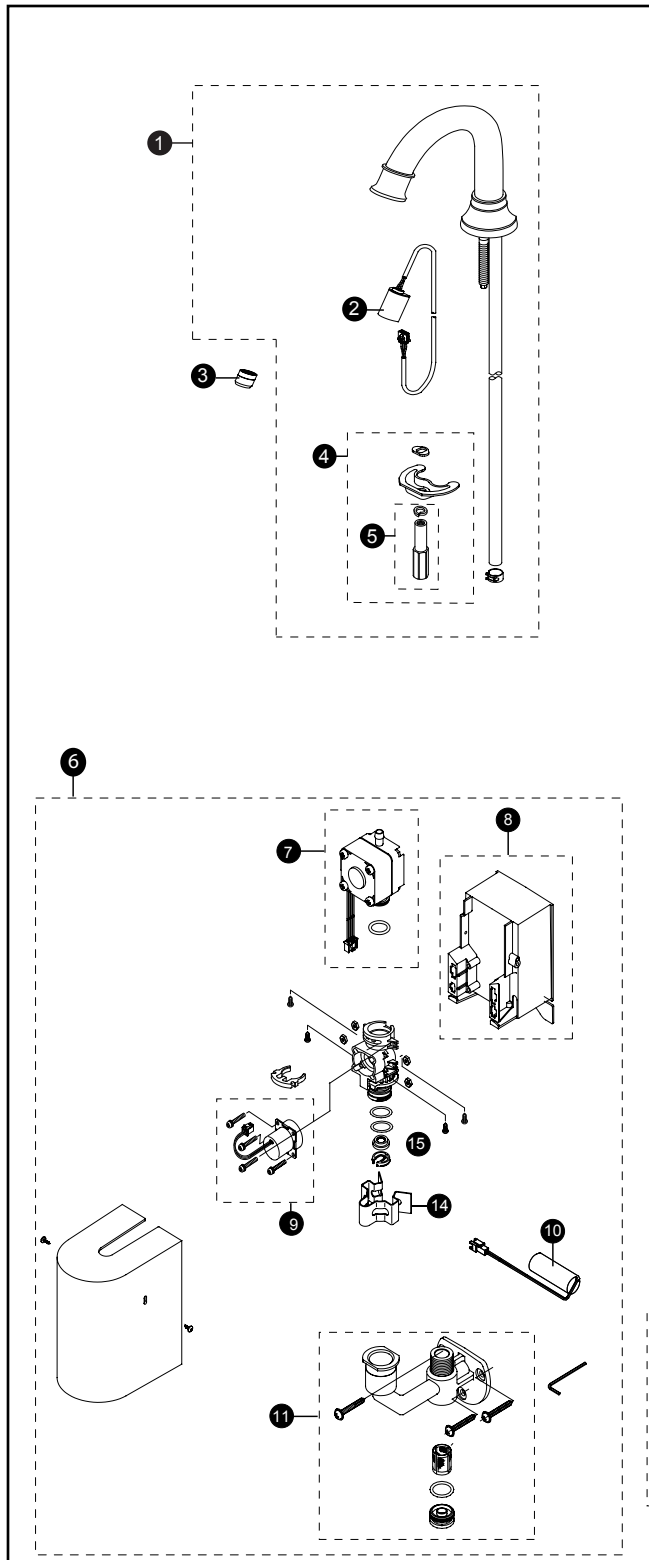


TEL3LT10(R)#CP

TEL3LT10#CP
 TEL3LT10R#CP
 TELLT100#CP (Spout)
 TN78-9V710 (Controller)

Sensor Faucet, Fordham™ Spout EcoPower® Self-Generating System Single Supply, 0.5 GPM



Item	Part	Description
1	THP3021#CP	Spout Assembly (without nozzle)
2	TH559EDV436	Sensor
3	THU3048#CP	Nozzle Assembly Set (0.5 GPM Aerator Flow Type)
4	TH559EDV402R	Spout Mounting Kit
5	TH559EDV403R	Spout Nut
6	TN78-9V710	Controller Assembly
7	TH559EDV562	0.5 GPM Dynamo HydroPower Generator
8	TH559EDV559	Single Dynamo Control Unit 10 Sec.
9	TH559EDV464	Solenoid & Diaphragm Assembly
10	TH559EDV410R	Back-Up Battery
11	T559EDV466R	Mounting Bracket Set
12	TN71V100S	Cover Plate - 4"
13	71244T8CC	Cover Plate - 8"
14	TH559EDV255	Metal Clip
15	TH559EDV570	0.5GPM regulator

Product Number Explanations

Sensor Faucet

(T) Fitting
 (E) Electronic
 (L) Lavatory
 (3) Single Supply
 (L) 0.5 GPM Generator Type
 (T) Fordham Spout
 (10) 10 Second
 (#CP) Chrome Finish