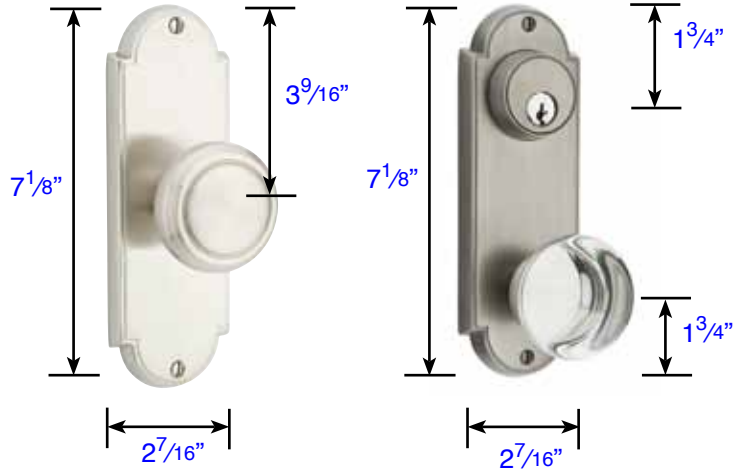
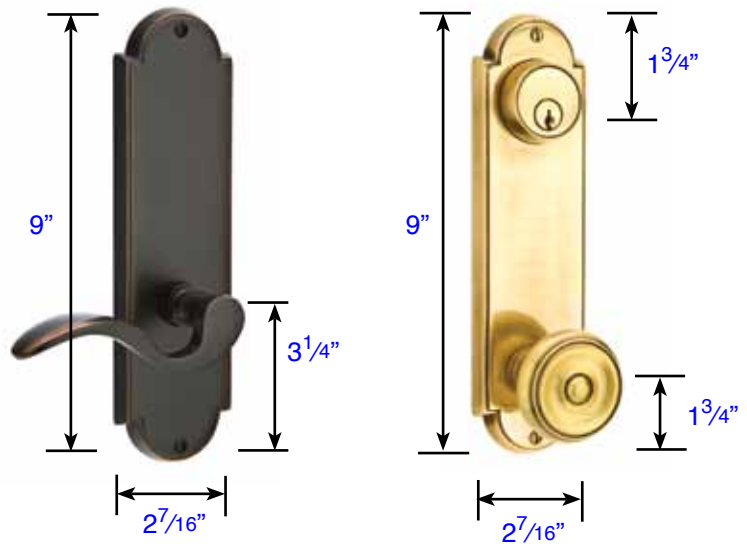


Delaware Style *Plates are 3/8" Thick*

<p>Non-Keyed Passage (8016) Privacy (8026) Dummy (8006)</p>	<p>Keyed 3⁵/₈" C-to-C Single Cylinder (8066) Double Cylinder (8166) Dummy (8061)</p>
---	--

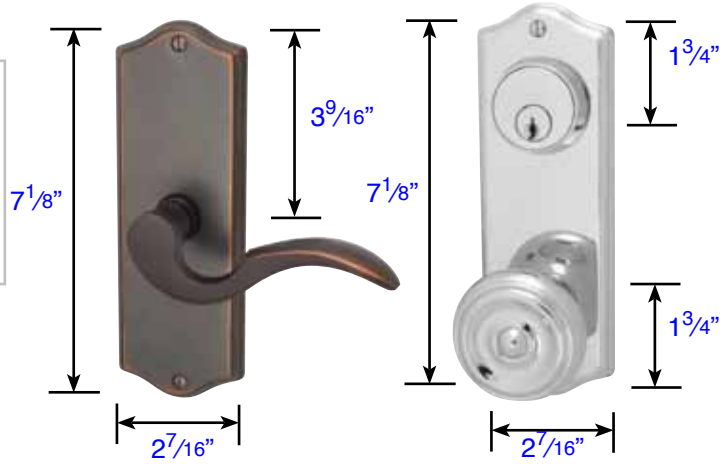


<p>Non-Keyed Passage (8716) Privacy (8816) Dummy (8898)</p>	<p>Keyed 5¹/₂" C-to-C Single Cylinder (8996) Double Cylinder (8997) Dummy (8956)</p>
---	--

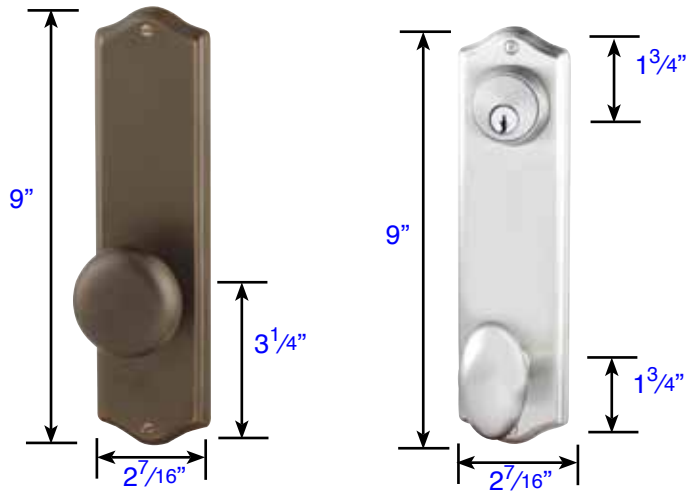


Colonial Style *Plates are 3/8" Thick*

<p>Non-Keyed Passage (8010) Privacy (8020) Dummy (8001)</p>	<p>Keyed 3 5/8" C-to-C Single Cylinder (8060) Double Cylinder (8160) Dummy (8065)</p>
---	---

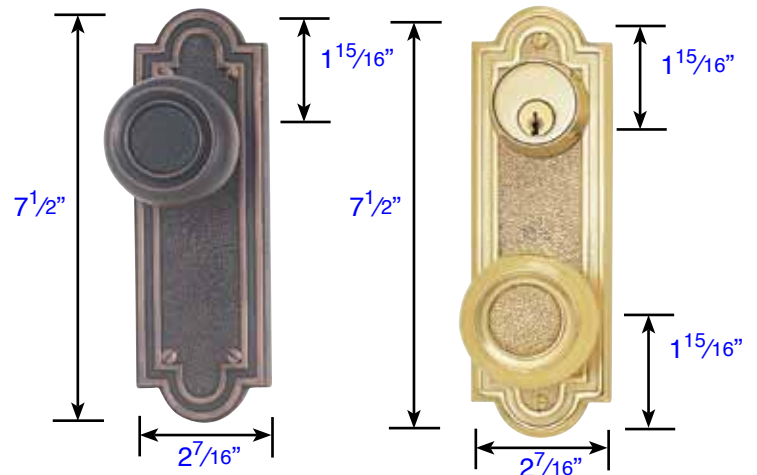


<p>Non-Keyed Passage (8711) Privacy (8811) Dummy (8851)</p>	<p>Keyed 5 1/2" C-to-C Single Cylinder (8990) Double Cylinder (8991) Dummy (8995)</p>
---	---

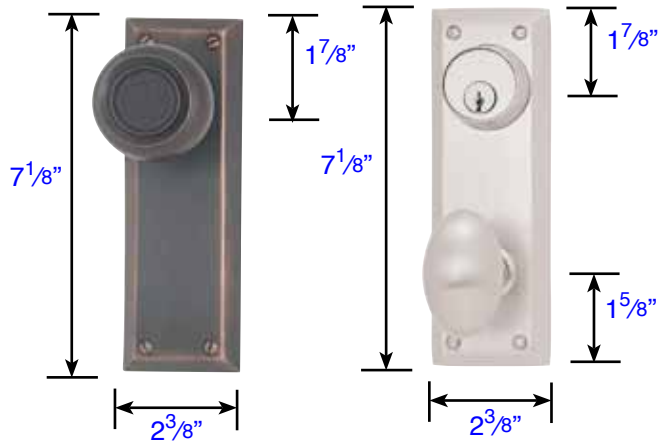


Belmont Style *Plates are 3/8" Thick*

<p>Non-Keyed Passage (8102) Privacy (8202) Dummy (8052)</p>	<p>Keyed 3 5/8" C-to-C Single Cylinder (8070) Double Cylinder (8071) Dummy (8075)</p>
---	---

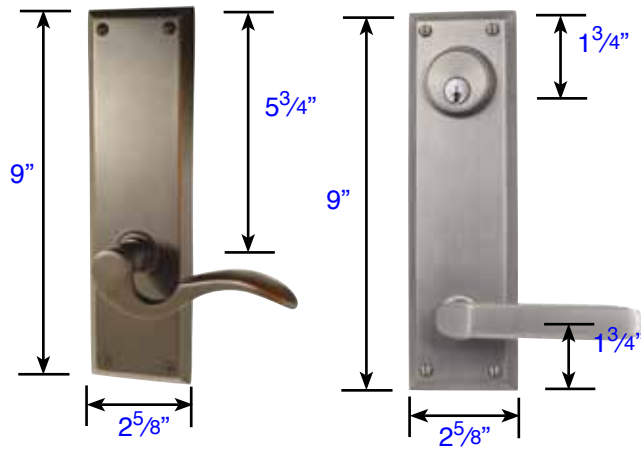


Quincy Style Plates are 3/8" Thick



Non-Keyed
 Passage (8104)
 Privacy (8204)
 Dummy (8054)

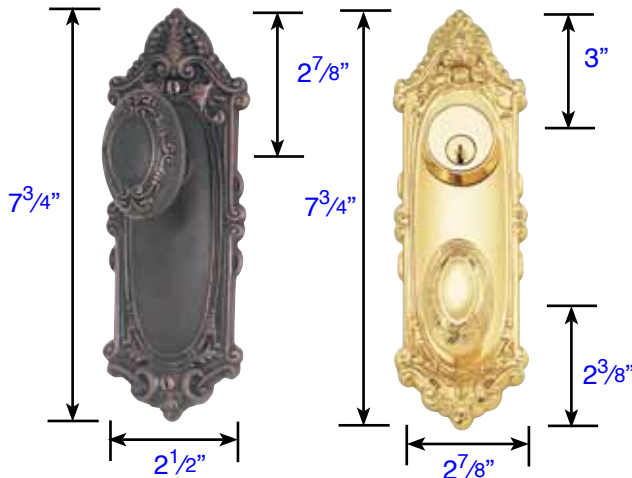
Keyed
3 5/8" C-to-C
 Single Cylinder (8080)
 Double Cylinder (8081)
 Dummy (8085)



Non-Keyed
 Passage (8704)
 Privacy (8804)
 Dummy (8854)

Keyed
5 1/2" C-to-C
 Single Cylinder (8980)
 Double Cylinder (8981)
 Dummy (8985)

Victoria Style Plates are 3/8" Thick



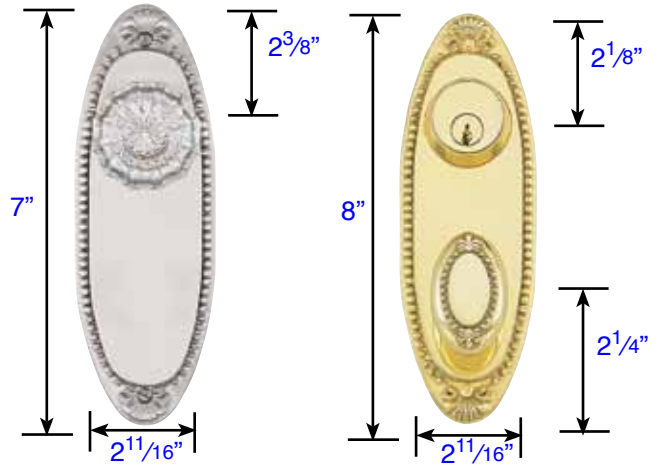
Non-Keyed
 Passage (8103)
 Privacy (8203)
 Dummy (8053)

Keyed
3 5/8" C-to-C
 Single Cylinder (8090)
 Double Cylinder (8091)
 Dummy (8095)

Oval Beaded Style *Plates are 3/8" Thick*

Non-Keyed
 Passage (8105)
 Privacy (8205)
 Dummy (8055)

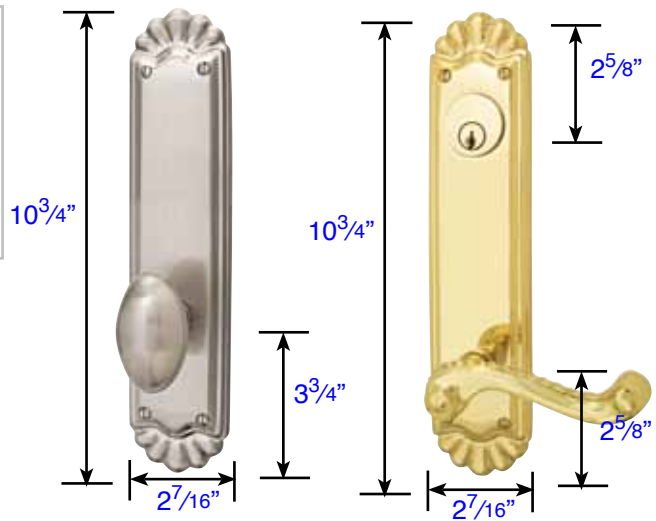
Keyed
3 5/8" C-to-C
 Single Cylinder (6010)
 Double Cylinder (6011)
 Dummy (6015)



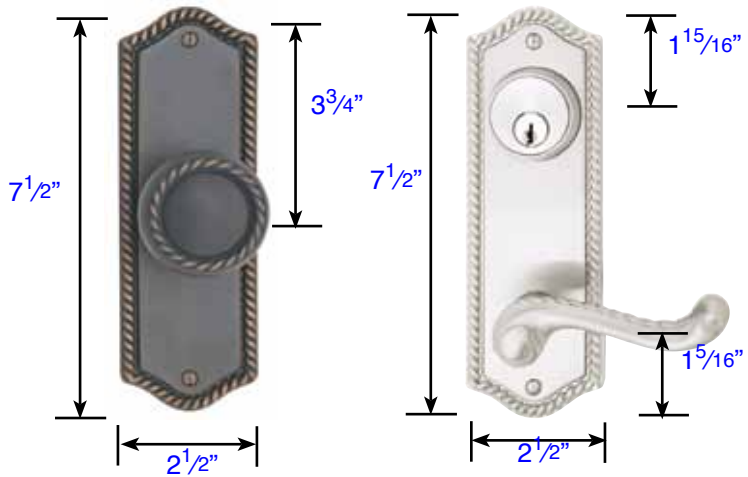
Trenton Style *Plates are 1/2" Thick*

Non-Keyed
 Passage (8109)
 Privacy (8209)
 Dummy (8059)

Keyed
5 1/2" C-to-C
 Single Cylinder (6030)
 Double Cylinder (6031)
 Dummy (6035)

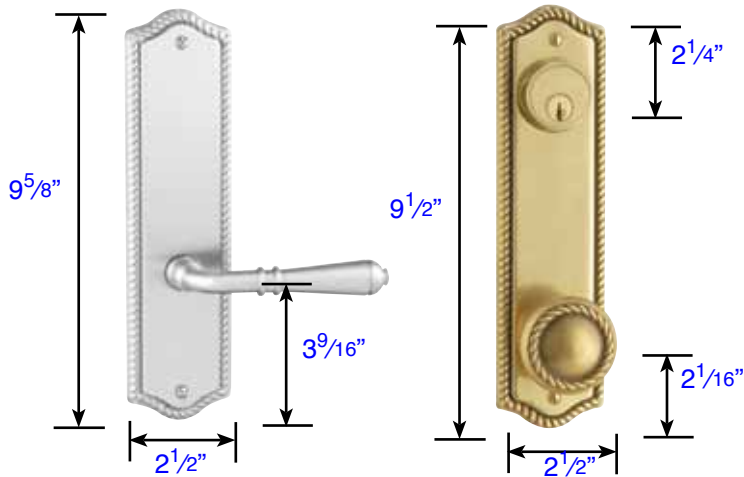


Rope Style *Plates are 3/8" Thick*



Non-Keyed
 Passage (7109)
 Privacy (7209)
 Dummy (7059)

Keyed
3 5/8" C-to-C
 Single Cylinder (7090)
 Double Cylinder (7091)
 Dummy (7095)



Non-Keyed
 Passage (7710)
 Privacy (7810)
 Dummy (7850)

Keyed
5 1/2" C-to-C
 Single Cylinder (7990)
 Double Cylinder (7991)
 Dummy (7995)

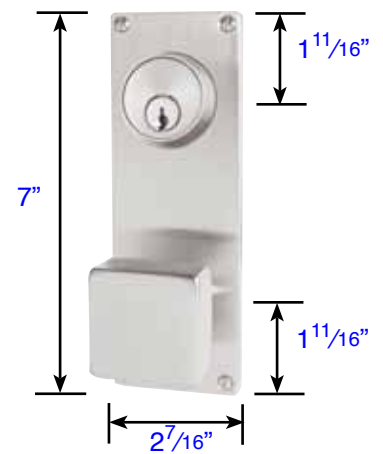
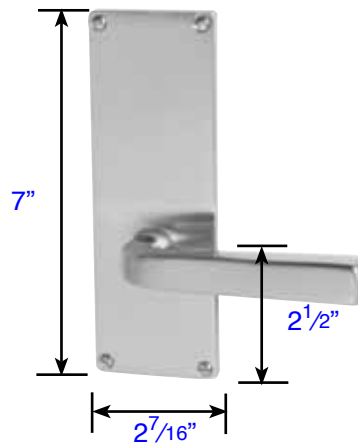
Modern Style *Plates are 3/8" Thick*

Non-Keyed

Passage (8111)
Privacy (8211)
Dummy (8011)

Keyed

3 5/8" C-to-C
Single Cylinder (8112)
Double Cylinder (8212)
Dummy (8012)

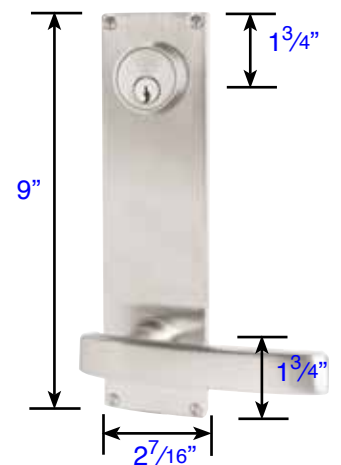
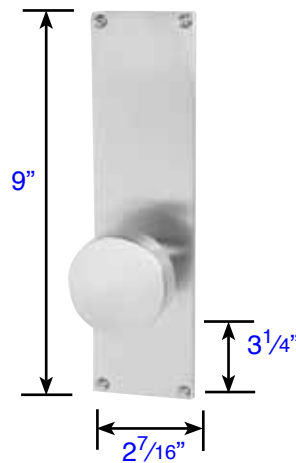


Non-Keyed

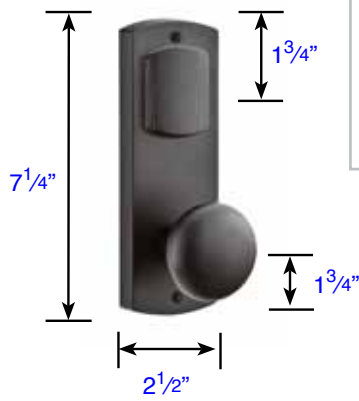
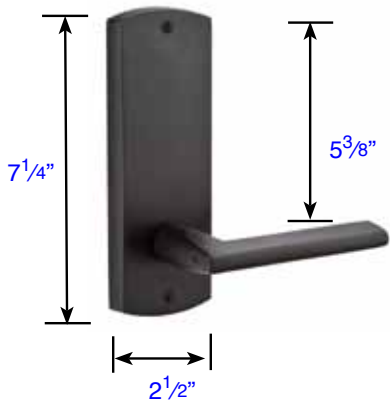
Passage (8113)
Privacy (8213)
Dummy (8013)

Keyed

5 1/2" C-to-C
Single Cylinder (8114)
Double Cylinder (8214)
Dummy (8014)

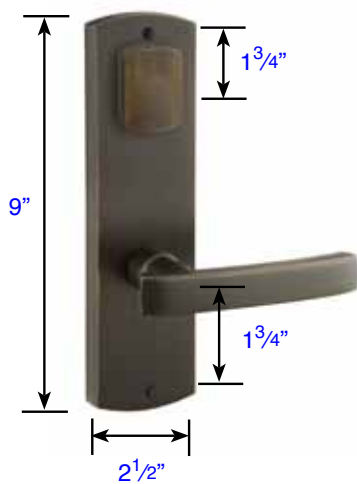
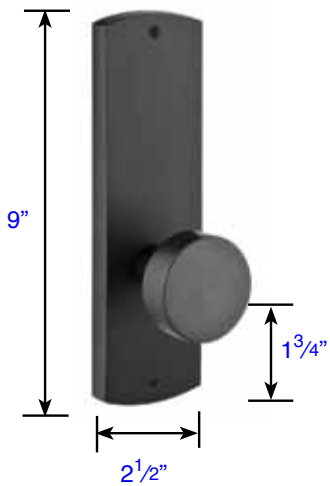


Missoula Style *Plates are 1/2" Thick*



Non-Keyed
Passage (71023)
Privacy (72023)
Dummy (70063)

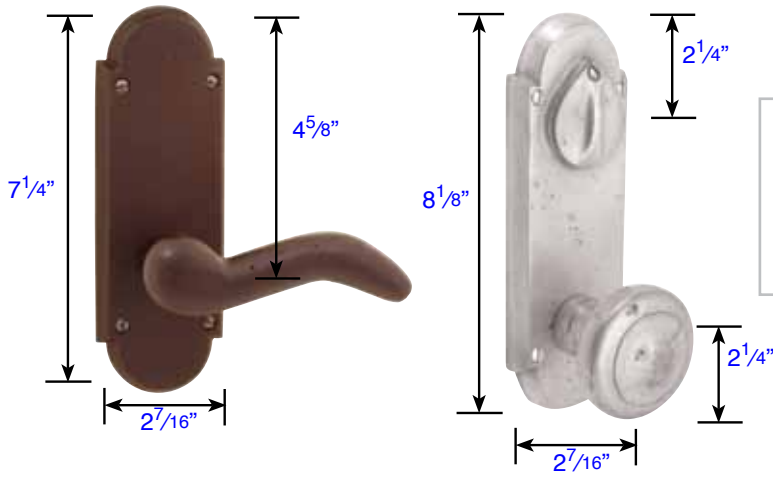
Keyed
3-5/8" C-to-C
Single Cylinder (7370)
Double Cylinder (7371)
Dummy (7375)



Non-Keyed
Passage (7522)
Privacy (7622)
Dummy (7562)

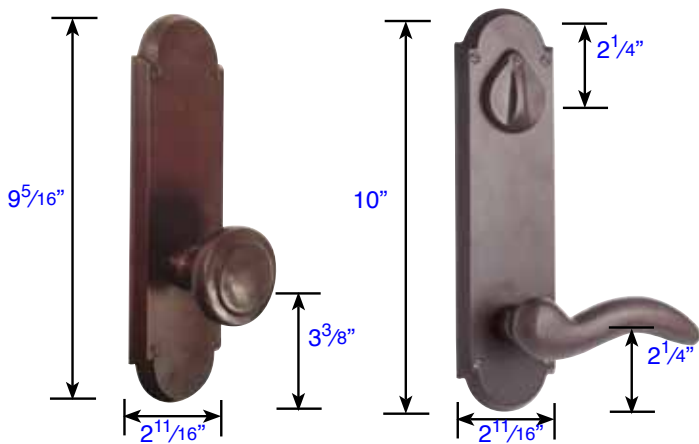
Keyed
5 1/2" C-to-C
Single Cylinder (7570)
Double Cylinder (7571)
Dummy (7575)

#5 Style Plates are 1/2" Thick



Non-Keyed
 Passage (7107)
 Privacy (7207)
 Dummy (7057)

Keyed
3 5/8" C-to-C
 Single Cylinder (7070)
 Double Cylinder (7071)
 Dummy (7075)



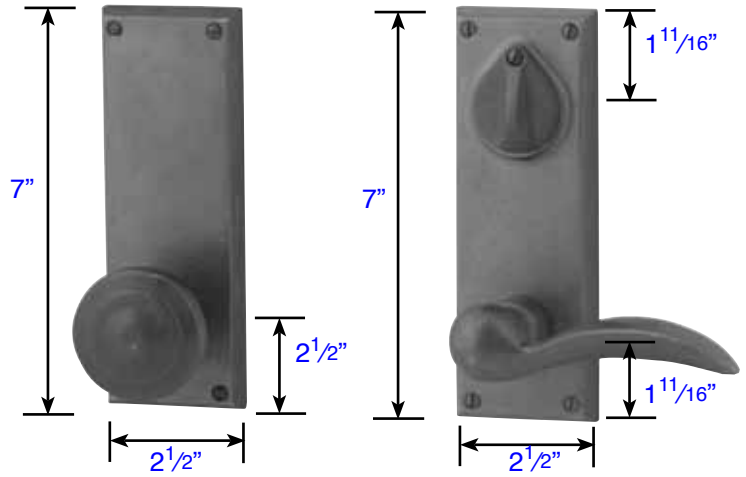
Non-Keyed
 Passage (7707)
 Privacy (7807)
 Dummy (7757)

Keyed
5 1/2" C-to-C
 Single Cylinder (7670)
 Double Cylinder (7671)
 Dummy (7675)

Rectangular Style *Plates are 1/2" Thick*

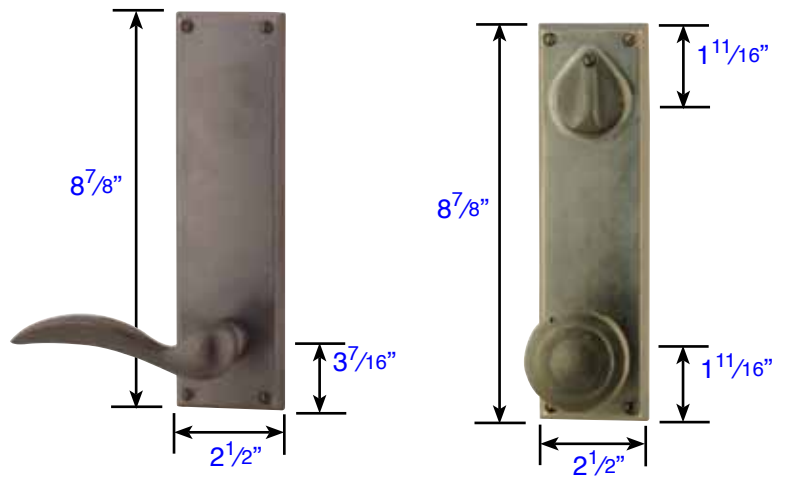
Non-Keyed
 Passage (71013)
 Privacy (72013)
 Dummy (70053)

Keyed
3 5/8" C-to-C
 Single Cylinder (7360)
 Double Cylinder (7361)
 Dummy (7365)

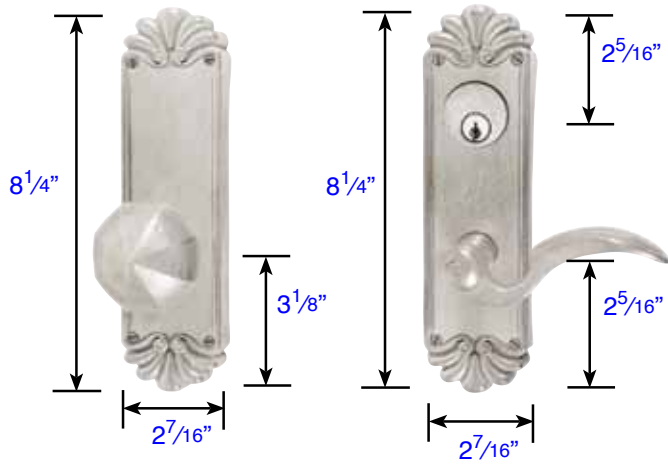


Non-Keyed
 Passage (7512)
 Privacy (7612)
 Dummy (7552)

Keyed
5 1/2" C-to-C
 Single Cylinder (7560)
 Double Cylinder (7561)
 Dummy (7565)

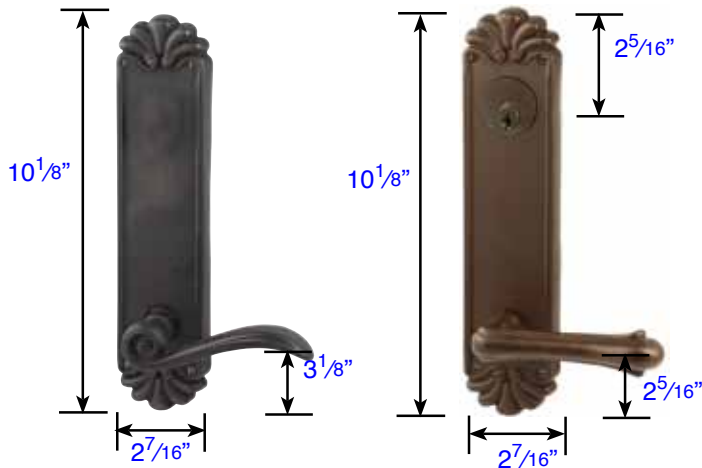


#16 Style Plates are $\frac{3}{8}$ " Thick



Non-Keyed
 Passage (6102)
 Privacy (6202)
 Dummy (6052)

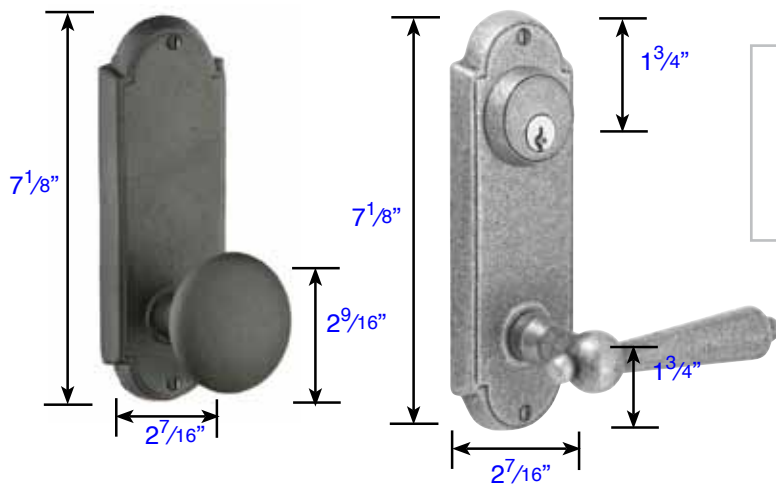
Keyed
3 5/8" C-to-C
 Single Cylinder (6020)
 Double Cylinder (6021)
 Dummy (6025)



Non-Keyed
 Passage (6702)
 Privacy (6802)
 Dummy (6752)

Keyed
5 1/2" C-to-C
 Single Cylinder (6620)
 Double Cylinder (6621)
 Dummy (6625)

Wrought Steel #5 Style Plates are $\frac{1}{2}$ " Thick



Non-Keyed
 Passage (7105)
 Privacy (7205)
 Dummy (7055)

Keyed
3 5/8" C-to-C
 Single Cylinder (7010)
 Double Cylinder (7011)
 Dummy (7015)

Brass Non-Keyed Plates (passage/privacy)

Delaware Style (8016/8026 & 8716/8816), Colonial Style (8010/8020 & 8711/8811), Belmont Style (8102/8202), Quincy Style (8104/8204 & 8704/8804), Victoria Style (8103/8203), Oval Beaded Style (8105/8205), Rope Style (7109/7209 & 7710/7810), Modern Style (8111/8112 & 8113/8213)

- Standard Door Thickness: 1¹/₄"- 2"
- Standard Components:
 - Privacy Pin (for privacy sets)
 - Inside Passage Half Spindle
 - 1" Wood Screws
 - Threaded Tubes & Machine Screws
- supplied upon request for Hollow-Core Doors*
- Full-Lip Strike Plate

- **Extended** Door Thickness: 2"- 3"
- Extended Components:
 - Privacy Pin w/ Extensions (for privacy sets)
 - Long Inside Passage Half Spindle
 - 1" Wood Screws
 - Threaded Tubes & Machine Screws
- supplied upon request for Hollow-Core Doors*
- Extended Full-Lip Strike Plate

Brass Keyed Plates, Single Cylinder

Delaware Style (8066/8996), Colonial Style (8060/8990), Belmont Style (8070), Quincy Style (8080/8980), Victoria Style (8090), Oval Beaded Style (6010), Rope Style (7090/7990), Modern Style (8112/8114)

- Standard Door Thickness: 1¹/₄"- 1³/₄"
- Standard Components:
 - Single Cylinder Tailpiece
 - Inside Passage Half Spindle
 - 1" Wood Screws
 - Threaded Tubes & Machine Screws
- supplied upon request for Hollow-Core Doors*
- 2¹/₄" Deadbolt Mounting Screws
- Full-Lip Strike Plate
- Deadbolt Strike Plate

- **Extended** Door Thickness: 1³/₄"- 2¹/₄"
- Extended Components:
 - Long Single Cylinder Tailpiece
 - Long Inside Passage Half Spindle
 - 1" Wood Screws
 - Threaded Tubes & Machine Screws
- supplied upon request for Hollow-Core Doors*
- 2¹/₂" Deadbolt Mounting Screws
- Extended Full-Lip Strike Plate
- Deadbolt Strike Plate

- **Extended** Door Thickness: 2¹/₄"- 2³/₄"
- Extended Components:
 - Extra Long Single Cylinder Tailpiece
 - Extra Long Inside Passage Half Spindle
 - 1" Wood Screws
 - Threaded Tubes & Machine Screws
- supplied upon request for Hollow-Core Doors*
- 3" & 3¹/₂" Deadbolt Mounting Screws
- Extended Full-Lip Strike Plate
- Deadbolt Strike Plate

Brass Keyed Plates, Double Cylinder

Delaware Style (8166/8997), Colonial Style (8160/8991), Belmont Style (8071), Quincy Style (8081/8981), Victoria Style (8091), Oval Beaded Style (6011), Rope Style (7091/7991), Modern Style (8212/8214)

- Standard Door Thickness: 1⁵/₈"- 1³/₄"
- Standard Components:
 - Double Cylinder Tailpiece
 - Inside Passage Half Spindle
 - 1" Wood Screws
 - Threaded Tubes & Machine Screws
- supplied upon request for Hollow-Core Doors*
- 3" Deadbolt Mounting Screws
- Full-Lip Strike Plate
- Deadbolt Strike Plate

- **Extended** Door Thickness: 1³/₄"- 2¹/₂"
- Extended Components:
 - Long Double Cylinder Tailpiece
 - Long Inside Passage Half Spindle
 - 1" Wood Screws
 - Threaded Tubes & Machine Screws
- supplied upon request for Hollow-Core Doors*
- 3¹/₂" Deadbolt Mounting Screws
- Extended Full-Lip Strike Plate
- Deadbolt Strike Plate

Trenton Keyed Plates, Single Cylinder (6030)

<ul style="list-style-type: none"> • Standard Door Thickness: 1⁵/₈"- 2¹/₈" Standard Components: • Single Cylinder Tailpiece • Inside Passage Half Spindle • 1" Wood Screws • Threaded Tubes & Machine Screws <i>supplied upon request for Hollow-Core Doors</i> • 2¹/₄" Deadbolt Mounting Screws • Full-Lip Strike Plate • Deadbolt Strike Plate 	<ul style="list-style-type: none"> • Extended Door Thickness: 1³/₄"- 2³/₄" Extended Components: • Long Single Cylinder Tailpiece • Long Inside Passage Half Spindle • 1" Wood Screws • Threaded Tubes & Machine Screws <i>supplied upon request for Hollow-Core Doors</i> • 2¹/₂" & 3" Deadbolt Mounting Screws • Extended Full-Lip Strike Plate • Deadbolt Strike Plate
--	---

Trenton Style (Brass), Keyed Plates, Double Cylinder (6031)

<ul style="list-style-type: none"> • Standard Door Thickness: 1⁵/₈"- 2" Standard Components: • Double Cylinder Tailpiece • Inside Passage Half Spindle • 1" Wood Screws • Threaded Tubes & Machine Screws <i>supplied upon request for Hollow-Core Doors</i> • 2¹/₂" Deadbolt Mounting Screws • Full-Lip Strike Plate • Deadbolt Strike Plate 	<ul style="list-style-type: none"> • Extended Door Thickness: 2"- 2⁵/₈" Extended Components: • Long Double Cylinder Tailpiece • Long Inside Passage Half Spindle • 1" Wood Screws • Threaded Tubes & Machine Screws <i>supplied upon request for Hollow-Core Doors</i> • 3" Deadbolt Mounting Screws • Extended Full-Lip Strike Plate • Deadbolt Strike Plate
---	--

* Part # DB4-COLLAR32 Available for 1³/₈" Thick Doors

Cast Bronze Non-Keyed Plates (passage/privacy)

#5 Style (7107/7207 & 7707/7807), Rectangular Style (71013/72013 & 7512/7612), #16 Style (6102/6202 & 6702/6802)
Missoula Style (71023/72023, 7522/7622)

<ul style="list-style-type: none"> • Standard Door Thickness: 1¹/₄"- 2" Standard Components: • Privacy Pin (for privacy sets) • Inside Passage Half Spindle • 1" Wood Screws • Threaded Tubes & Machine Screws <i>supplied upon request for Hollow-Core Doors</i> • Full-Lip Strike Plate 	<ul style="list-style-type: none"> • Extended Door Thickness: 2"- 3" Extended Components: • Privacy Pin w/ Extensions (for privacy sets) • Long Inside Passage Half Spindle • 1" Wood Screws • Threaded Tubes & Machine Screws <i>supplied upon request for Hollow-Core Doors</i> • Extended Full-Lip Strike Plate
---	---

Cast Bronze Keyed Plates, Single Cylinder

#5 Style (7070/7670), Rectangular Style (7360/7560), #16 Style (6020/6620), Missoula Style (7370/7570)

<ul style="list-style-type: none"> • Standard Door Thickness: 1⁵/₈"- 2" Standard Components: • Single Cylinder Tailpiece • Inside Passage Half Spindle • 1" Wood Screws • Threaded Tubes & Machine Screws <i>supplied upon request for Hollow-Core Doors</i> • 2¹/₄" Deadbolt Mounting Screws • Full-Lip Strike Plate • Deadbolt Strike Plate 	<ul style="list-style-type: none"> • Extended Door Thickness: 2"- 2³/₈" Extended Components: • Long Single Cylinder Tailpiece • Long Inside Passage Half Spindle • 1" Wood Screws • Threaded Tubes & Machine Screws <i>supplied upon request for Hollow-Core Doors</i> • 2¹/₂" Deadbolt Mounting Screws • Extended Full-Lip Strike Plate • Deadbolt Strike Plate 	<ul style="list-style-type: none"> • Extended Door Thickness: 2³/₈"- 3" Extended Components: • Extra Long Single Cylinder Tailpiece • Extra Long Inside Passage Half Spindle • 1" Wood Screws • Threaded Tubes & Machine Screws <i>supplied upon request for Hollow-Core Doors</i> • 3" & 3¹/₂" Deadbolt Mounting Screws • Extended Full-Lip Strike Plate • Deadbolt Strike Plate
---	---	--

Cast Bronze Keyed Plates, Double Cylinder

#5 (7071/7671), Rectangular Style (7361/7561), #16 Style (6021/6621), Missoula Style (7371/7571)

- Standard Door Thickness: 1¹/₂"- 2"
- Standard Components:
 - Single Cylinder Tailpiece
 - Inside Passage Half Spindle
 - 1" Wood Screws
 - Threaded Tubes & Machine Screws
- supplied upon request for Hollow-Core Doors*
- 2¹/₂" Deadbolt Mounting Screws
- Full-Lip Strike Plate
- Deadbolt Strike Plate

- **Extended** Door Thickness: 2"- 2¹/₂"
- Extended Components:
 - Long Double Cylinder Tailpiece
 - Long Inside Passage Half Spindle
 - 1" Wood Screws
 - Threaded Tubes & Machine Screws
- supplied upon request for Hollow-Core Doors*
- 3" Deadbolt Mounting Screws
- Extended Full-Lip Strike Plate
- Deadbolt Strike Plate

- **Extended** Door Thickness: 2¹/₄"- 2³/₄"
- Extended Components:
 - Long Double Cylinder Tailpiece
 - Long Inside Passage Half Spindle
 - 1" Wood Screws
 - Threaded Tubes & Machine Screws
- supplied upon request for Hollow-Core Doors*
- 3¹/₂" Deadbolt Mounting Screws
- Extended Full-Lip Strike Plate
- Deadbolt Strike Plate

Wrought Steel #5 Keyed Plates, Double Cylinder (7011)

- Standard Door Thickness: 1⁵/₈"- 1³/₄"
- Standard Components:
 - Double Cylinder Tailpiece
 - Inside Passage Half Spindle
 - 1" Wood Screws
 - Threaded Tubes & Machine Screws
- supplied upon request for Hollow-Core Doors*
- 3" Deadbolt Mounting Screws
- Full-Lip Strike Plate
- Deadbolt Strike Plate

- **Extended** Door Thickness: 1³/₄"- 2³/₈"
- Extended Components:
 - Long Double Cylinder Tailpiece
 - Long Inside Passage Half Spindle
 - 1" Wood Screws
 - Threaded Tubes & Machine Screws
- supplied upon request for Hollow-Core Doors*
- 3¹/₂" Deadbolt Mounting Screws
- Extended Full-Lip Strike Plate
- Deadbolt Strike Plate

Wrought Steel Non-Keyed Plate (passage/privacy) (7105/7205)

- Standard Door Thickness: 1¹/₄"- 1³/₄"
- Standard Components:
 - Privacy Pin (for privacy sets)
 - Inside Passage Half Spindle
 - 1" Wood Screws
 - Threaded Tubes & Machine Screws
- supplied upon request for Hollow-Core Doors*
- Full-Lip Strike Plate

- **Extended** Door Thickness: 1³/₄"- 2³/₈"
- Extended Components:
 - Privacy Pin w/Extension (for privacy sets)
 - Long Inside Passage Half Spindle
 - 1" Wood Screws
 - Threaded Tubes & Machine Screws
- supplied upon request for Hollow-Core Doors*
- Extended Full-Lip Strike Plate

- **Extended** Door Thickness: 1³/₄"- 2³/₈"
- Extended Components:
 - Privacy Pin w/Extension (for privacy sets)
 - Long Inside Passage Half Spindle
 - 1" Wood Screws
 - Threaded Tubes & Machine Screws
- supplied upon request for Hollow-Core Doors*
- Extended Full-Lip Strike Plate

Wrought Steel #5 Style Keyed Plates, Single Cylinder (7010)

- Standard Door Thickness: 1¹/₂"- 1³/₄"
- Standard Components:
 - Single Cylinder Tailpiece
 - Inside Passage Half Spindle
 - 1" Wood Screws
 - Threaded Tubes & Machine Screws
- supplied upon request for Hollow-Core Doors*
- 2¹/₄" Deadbolt Mounting Screws
- Full-Lip Strike Plate
- Deadbolt Strike Plate

- **Extended** Door Thickness: 1³/₄"- 2¹/₄"
- Extended Components:
 - Long Single Cylinder Tailpiece
 - Long Inside Passage Half Spindle
 - 1" Wood Screws
 - Threaded Tubes & Machine Screws
- supplied upon request for Hollow-Core Doors*
- 2¹/₂" Deadbolt Mounting Screws
- Extended Full-Lip Strike Plate
- Deadbolt Strike Plate

- **Extended** Door Thickness: 2¹/₄"- 2³/₄"
- Extended Components:
 - Extra Long Single Cylinder Tailpiece
 - Extra Long Inside Passage Half Spindle
 - 1" Wood Screws
 - Threaded Tubes & Machine Screws
- supplied upon request for Hollow-Core Doors*
- 3" Deadbolt Mounting Screws
- Extended Full-Lip Strike Plate
- Deadbolt Strike Plate