

SHOWER
Multi-Function Handshower w/16"
Grab Bar
G-9655

GRAFF®

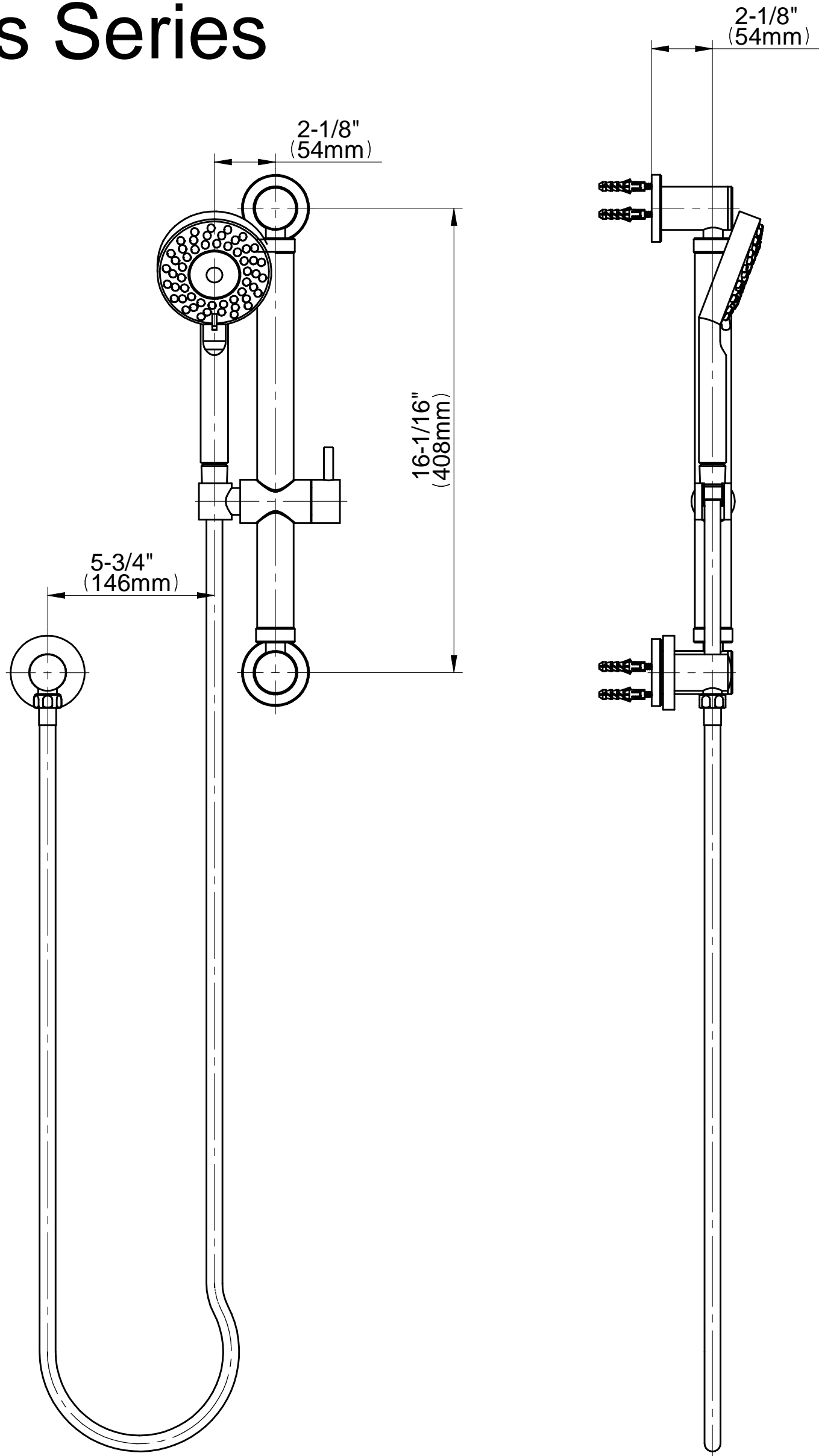


Information

- Multi-function handshower w/16" wall-mounted grab bar
- 5 spray patterns: massage, rain/massage, rain, jet/rain and jet
- 59" long shower hose and wall supply elbow
- Adjustable bracket fits all hoses with conical nut
- Handshower flow rate ≤ 1.5 max gpm
- Includes internal backflow preventer
- CALGreen

G-9655

Ametis Series



SHOWER
59" Shower Hose
G-8605

GRAFF®



Information

- Brass spiral flexible hose with conical nut

Finishes



Polished
Chrome



Stainless®
(Satin Nickel)

Product Features



- Brass spiral flexible hose with conical nut

Warranty

- Limited lifetime warranty

For complete warranty information go to www.graff-designs.com/en-nam/warranty

Available Finishes

- Polished Chrome
G-8605-PC
- Polished Nickel
G-8605-PN
- Brushed Nickel
G-8605-BNi
- Unfinished Brushed Brass*
G-8605-UBB*
- Unfinished Brass*
G-8605-UB*
- Matte Black*
G-8605-MBK*
- Architectural Black*
G-8605-BK*
- Architectural White*
G-8605-WT*
- Olive Brass*
G-8605-OB*
- Gunmetal*
G-8605-GM*
- Vintage Brushed Brass*
G-8605-VBB*
- Steelnox (Satin Nickel)
G-8605-SN
- 24K Brushed Gold*
G-8605-BAU*
- 24K Gold*
G-8605-AU*
- Gunmetal Distressed*
G-8605-GMD*

* Special order finish- call for availability



SHOWER
Contemporary Round Wall Supply
Elbow
G-8613

GRAFF®



Information

- 1/2" NPT female thread inlet

Finishes



Polished
Chrome



Steelinox®
(Satin Nickel)

G-8613

Shower Components

Contemporary Round Wall Supply Elbow



Product Features

- 1/2" NPT female thread inlet

Warranty

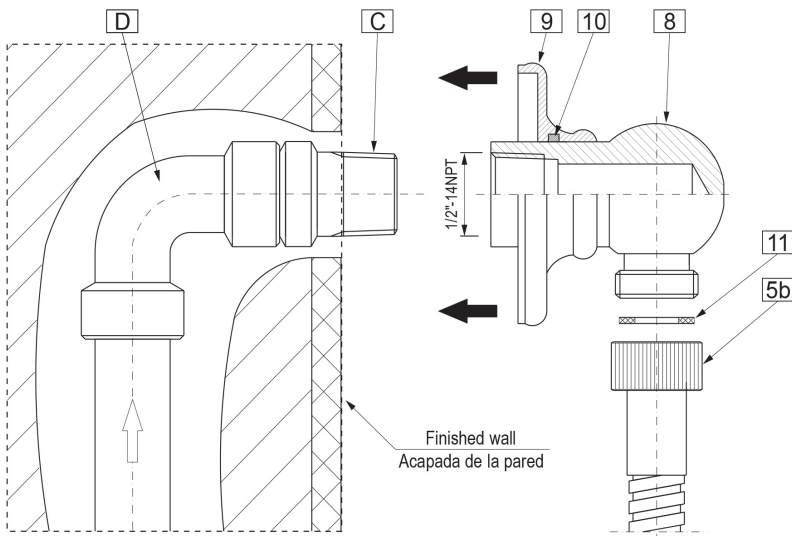
- Limited lifetime warranty

For complete warranty information go to www.graff-designs.com/en-nam/warranty

Available Finishes

- Polished Chrome
G-8613-PC
- Polished Nickel
G-8613-PN
- Brushed Nickel
G-8613-BNi
- Unfinished Brushed Brass*
G-8613-UBB*
- Unfinished Brass*
G-8613-UB*
- Matte Black*
G-8613-MBK*
- Architectural Black*
G-8613-BK*
- Architectural White*
G-8613-WT*
- Steinox (Satin Nickel)
G-8613-SN
- Olive Brass*
G-8613-OB*
- Gunmetal*
G-8613-GM*
- Vintage Brushed Brass*
G-8613-VBB*
- OR'osa PVD*
G-8613-RG*
- Brushed OR'osa PVD*
G-8613-BRG*
- Onyx PVD*
G-8613-OX*
- Brushed Onyx PVD*
G-8613-BOX*
- Polished Brass PVD*
G-8613-PB*
- Brushed Brass PVD*
G-8613-BB*
- 24K Brushed Gold*
G-8613-BAU*
- 24K Gold*
G-8613-AU*
- Gunmetal Distressed*
G-8613-GMD*

* Special order finish- call for availability



The measurements shown are for reference only. Products and specifications shown are subject to change without notice. Revised 12/2019

www.graff-designs.com | phone: 800-954-4723

SHOWER
Contemporary Multi-function
Handshower
G-8674

GRAFF®



Information

- 5 spray patterns: massage, rain/massage, rain, jet/rain and jet
- Switch between 5 spray patterns
- Shower hose not included
- Handshower flow rate ≤ 1.5 max gpm
- Includes internal backflow preventer
- CALGreen

Finishes

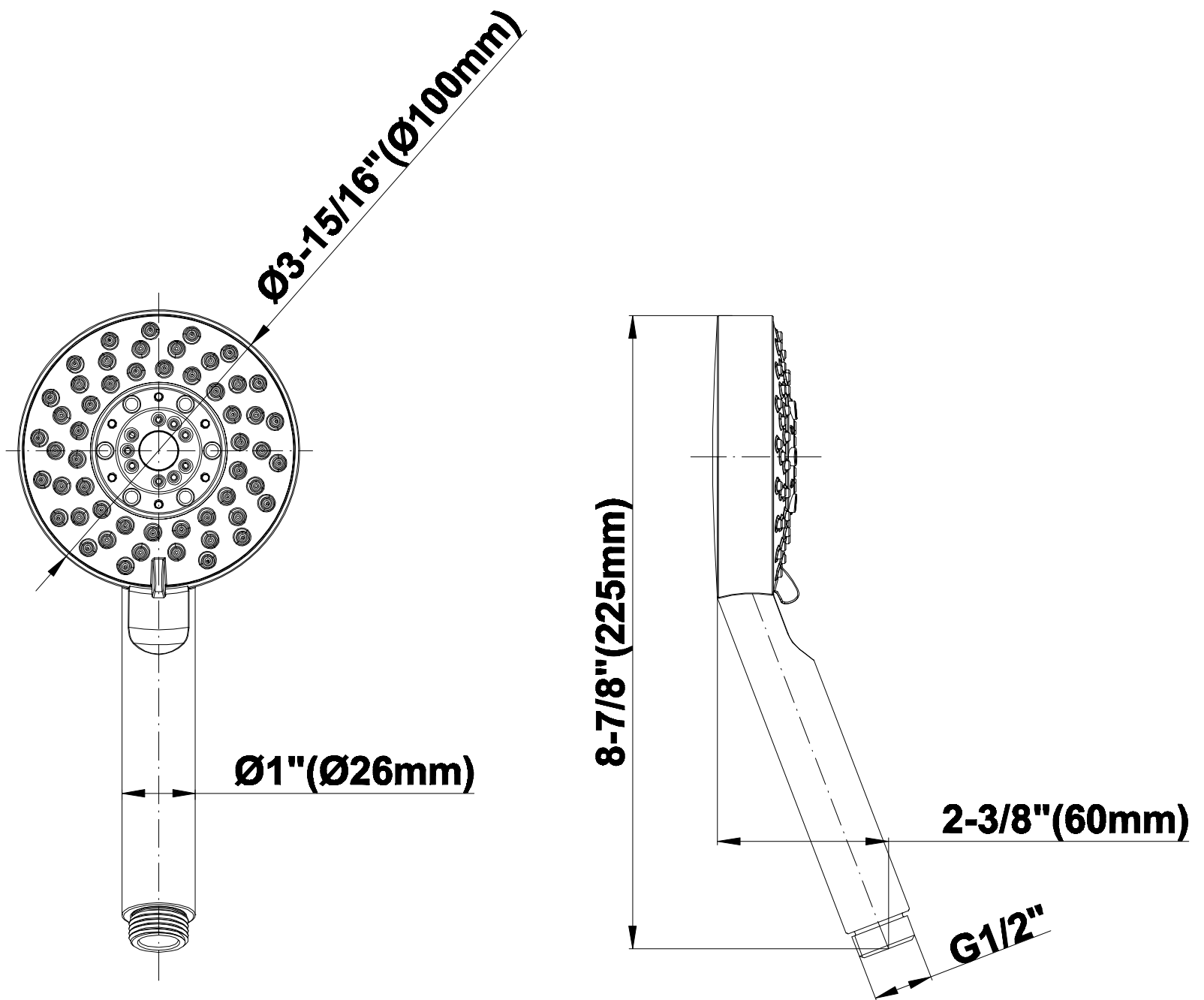


Polished
Chrome



Steelnox®
(Satin Nickel)

G-8674



SHOWER
16" Round Grab Bar
w/Handshower Holder
G-9542

GRAFF®



Information

- 16" wall-mounted grab bar
- Adjustable bracket fits all hoses with conical nut
- ADA

Finishes



Polished
Chrome



Steelnox®
(Satin Nickel)

G-9542

16" Round Grab Bar with Handshower Holder

GRAFF®



Product Features

- 16" wall-mounted grab bar
- Adjustable bracket fits all hoses with conical nut

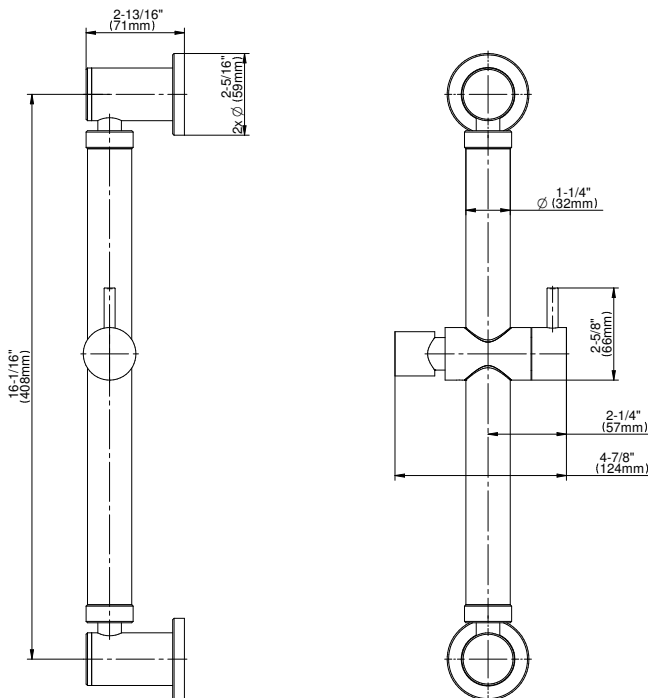
Code Compliance

- ADA

Available Finishes

- Polished Chrome
G-9542-PC
- Brushed Nickel
G-9542-BNi
- Unfinished Brushed Brass*
G-9542-UBB*
- Unfinished Brass*
G-9542-UB*
- Matte Black*
G-9542-MBK*
- Architectural Black*
G-9542-BK*
- Architectural White*
G-9542-WT*
- Steelnox
G-9542-SN
- Olive Bronze*
G-9542-OB*
- Gunmetal*
G-9542-GM*
- OR'osa*
G-9542-RG*
- Onyx*
G-9542-OX*
- Polished Brass*
G-9542-PB*
- Brushed Brass*
G-9542-BB*
- Gold*
G-9542-AU*
- Brushed Gold*
G-9542-BAU*
- Gun Metal Distressed*
G-9542-GMD*

* Special order finish- call for availability



Warranty

- Limited lifetime warranty

For complete warranty information go to <https://www.graff-faucets.com/en/info/faqs>

The measurements shown are for reference only. Products and specifications shown are subject to change without notice. Revised 11/2018.

www.graff-designs.com | phone: 800-954-4723