

AXOR MyEdition
 Finishes : **chrome**

Part no. : **47062000**



Description

Features

- PowderRain spray
- Ceramic cartridge
- non-closing flush grated valve

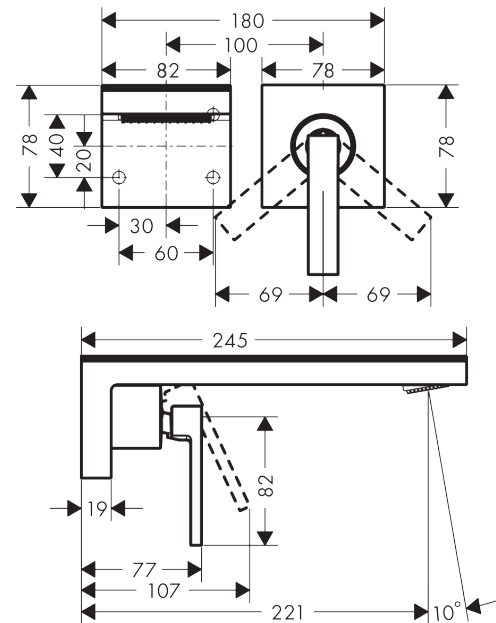
Technology



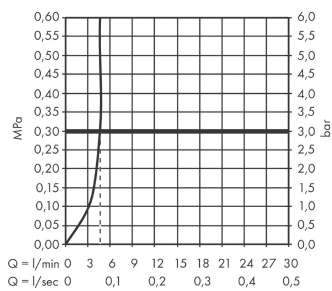
Product image



Scale drawing



Flowchart



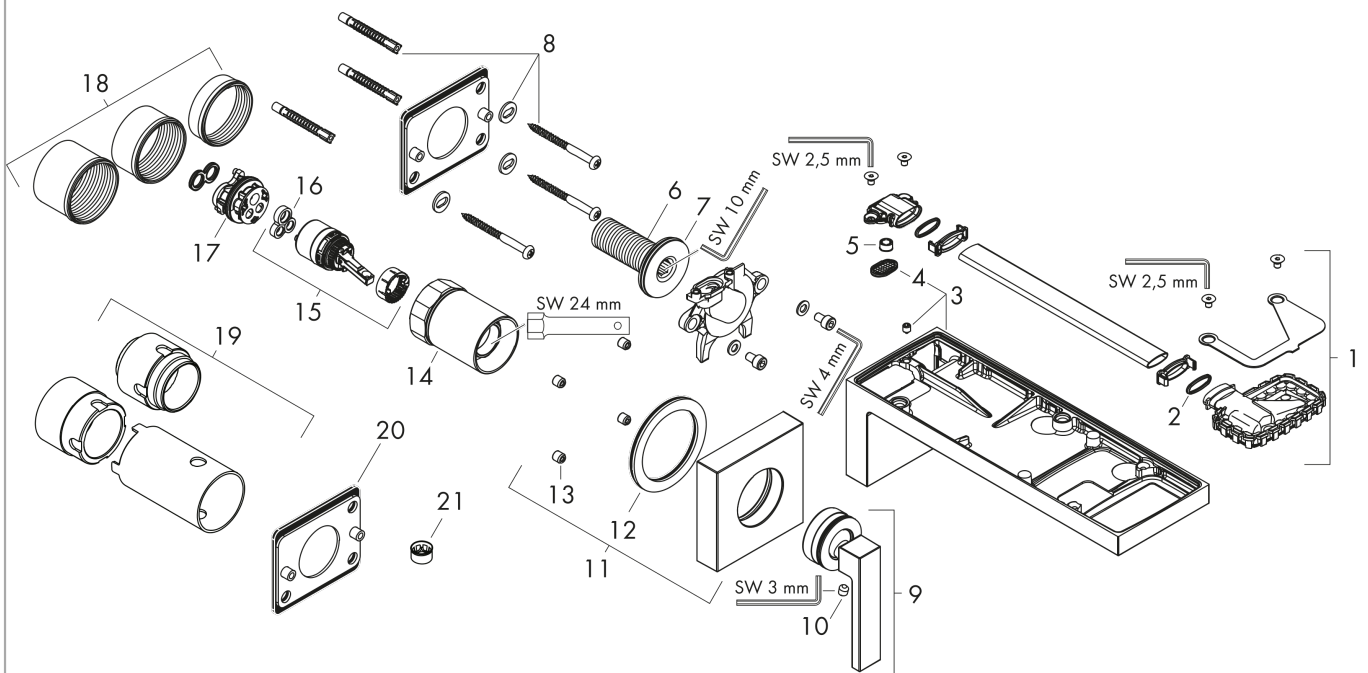
AXOR MyEdition
Finishes : **chrome**

Part no. : **47062000**



Exploded drawing

Year of production: >10/18



AXOR MyEdition

 Finishes : **chrome** Part no. : **47062000**

Spare parts list

Year of production: >10/18

Pos.	Description	Part no.	PC	PU
1	spray former	93385000	0	1
2	O-ring 13x1,5	98475000	0	1
3	spout 220 mm	93370000	0	1
4	filter packing	93374000	0	1
5	flow limiter (5 l/min)	95311000	0	1
6	connecting thread G½	93387000	0	1
7	O-ring 36x2	98156000	0	1
8	mounting set	96179000	0	1
9	handle	93372000	0	1
10	O-ring 33x1,5	98164000	0	1
11	escutcheon for handle	93371000	0	1
12	washer	97600000	0	1
13	screw cover	96762000	0	1
14	sleeve	93373000	0	1
15	cartridge, assy	92900000	0	1
16	seal	93383000	0	1
17	O-ring 26x2	98147000	0	1
18	fixing set	97971000	0	1
19	extension 25 mm	13586000	0	1
20	null	93407000	0	1
21	flow limiter (4 l/min)	92560000	0	1
a	pop up waste	51301000	0	1
b	cover	47907000	0	1
c	cover	47910000	0	1
d	cover	47914000	0	1
e	cover	47917000	0	1