

AXOR MyEdition
 Finishes : **chrome**

Part no. : **47012000**



Description

Features

- PowderRain spray
- Ceramic cartridge
- push-open drain valve G 1 ¼

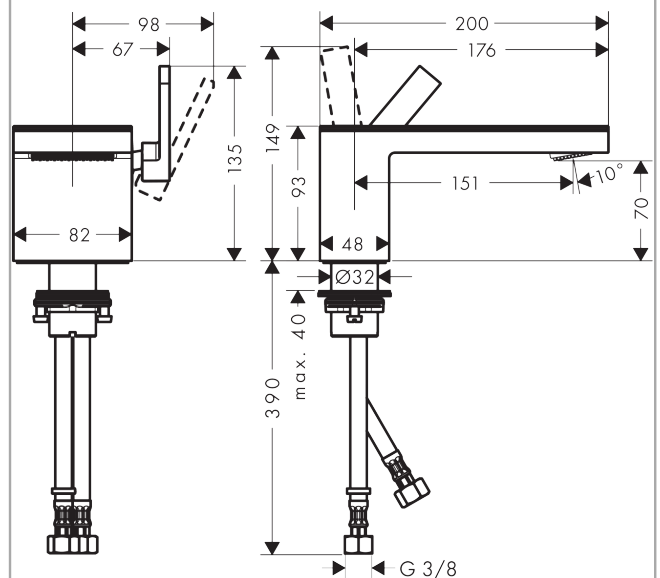
Technology



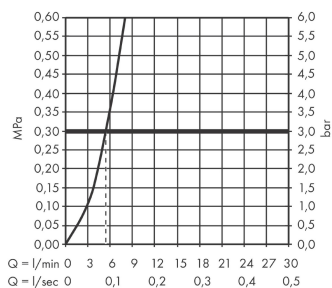
Product image



Scale drawing



Flowchart



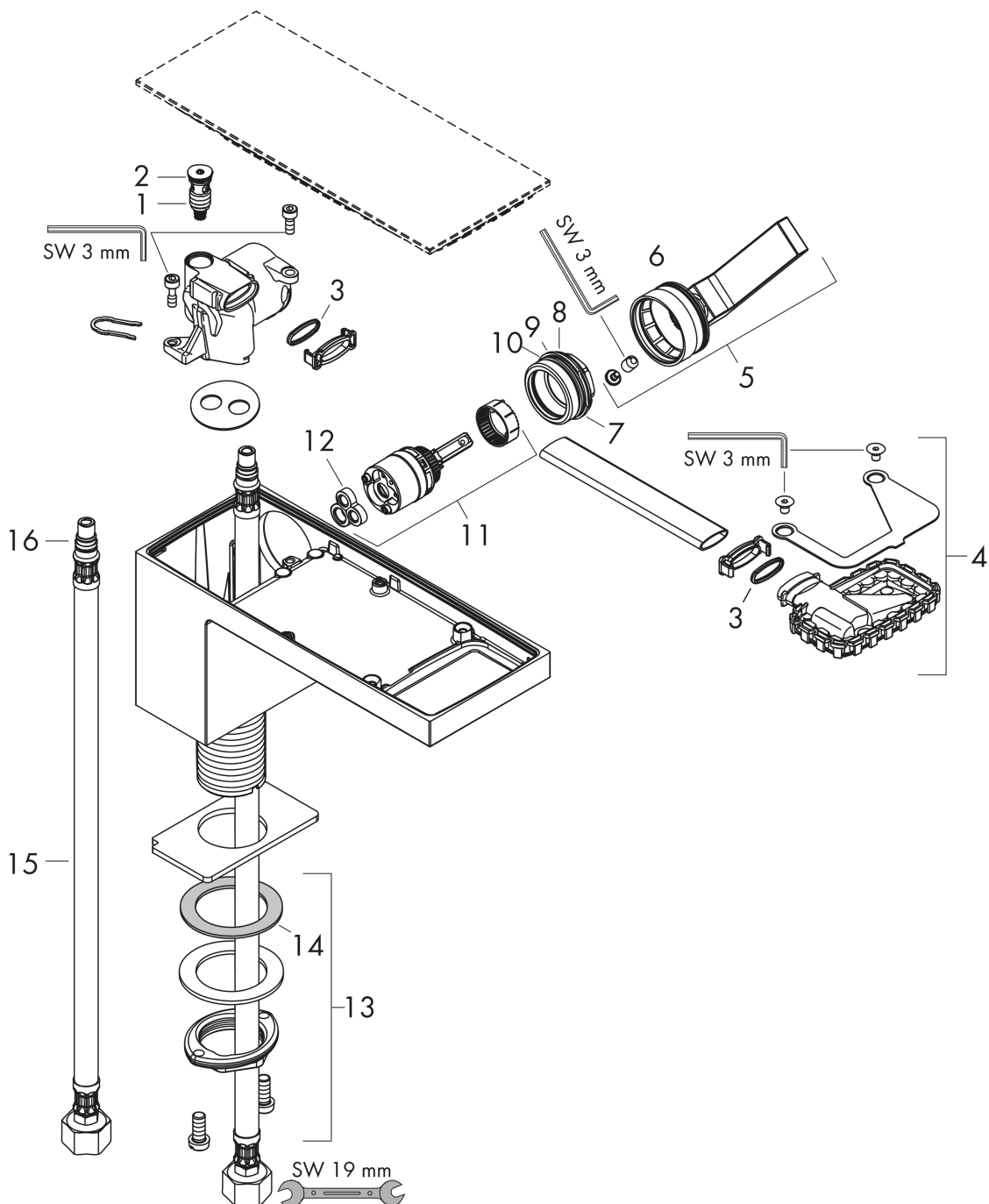
AXOR MyEdition
Finishes : **chrome**

Part no. : **47012000**



Exploded drawing

Year of production: >10/18



AXOR MyEdition

 Finishes : **chrome** Part no. : **47012000**

Spare parts list

Year of production: >10/18

Pos.	Description	Part no.	PC	PU
1	service unit	93384000	0	1
2	O-ring 8x1,75	97827000	0	1
3	O-ring 13x1,5	98475000	0	1
4	spray former	93385000	0	1
5	handle	93386000	0	1
6	O-ring 33x1,5	98164000	0	1
7	nut	92926000	0	1
8	O-ring 29x2	98391000	0	1
9	O-ring 30x1,5	98433000	0	1
10	O-ring 25x1,5	98146000	0	1
11	cartridge, assy	92900000	0	1
12	seal	93383000	0	1
13	fixing set (Ø 32)	13961000	0	1
14	lever collar	97548000	0	1
15	connection hose 450 mm M8x0,75 G3/8	97206000	0	1
16	O-ring 7x1,5	98422000	0	1
a	push-open waste set	51300000	0	1
b	fixation extension 35 mm	13898000	0	1