

AXOR Uno
AXOR Uno Single-Hole Faucet with Zero Handle, 1.2 GPM
 Finishes : **chrome** Part no. : **45001001**



Description

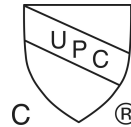
Features

- Laminar spray
- Ceramic cartridge
- pop-up waste set G 1

Technology



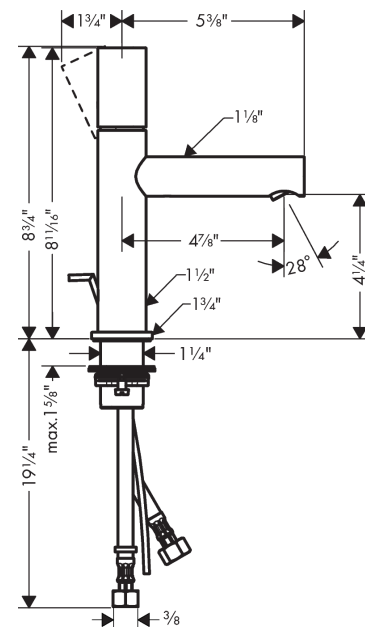
Compliance



Product image



Scale drawing

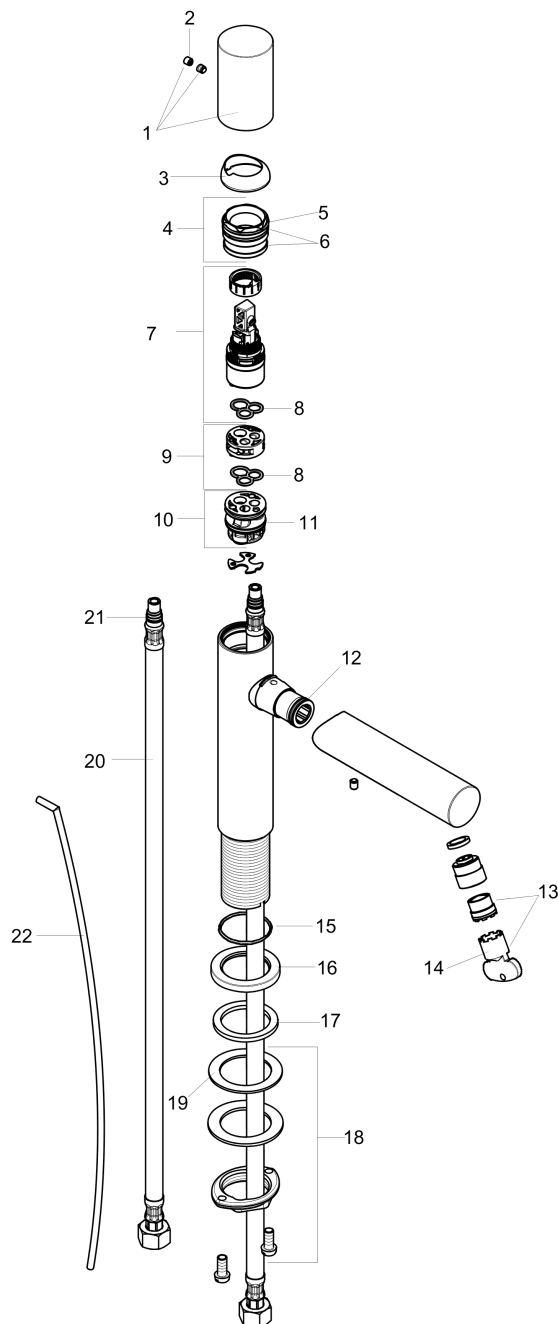


AXOR Uno
AXOR Uno Single-Hole Faucet with Zero Handle, 1.2 GPM
Finishes : **chrome** Part no. : **45001001**



Exploded drawing

Year of production: >07/18



AXOR Uno
AXOR Uno Single-Hole Faucet with Zero Handle, 1.2 GPM
 Finishes : **chrome** Part no. : **45001001**



Spare parts list

Year of production: >07/18

Pos.	Description	Part no.	PC	PU
1	handle	92887000	0	1
2	screw cover	95181000	0	1
3	flange	93116000	0	1
4	nut	92689000	0	1
5	O-ring 25x1,5	98146000	0	1
6	O-ring 27x1,5	92527000	0	1
7	cartridge, assy	95973001	0	1
8	seal	98865000	0	1
9	adapter for cartridge	92628000	0	1
10	adapter for cartridge	98866000	0	1
11	O-ring 23x2	98398000	0	1
12	O-ring 16x2	98133000	0	1
13	aerator laminar M16,5x1 (4,5 l/min)	92876000	0	1
14	special tool	98987000	0	1
15	O-ring 30x1,5	98433000	0	1
16	escutcheon Ø 46 mm	95268000	0	1
17	flat seal	98749000	0	1
18	fixing set (Ø 32)	13961000	0	1
19	lever collar	97548000	0	1
20	connection hose 23½" M8x0,75 3/8"	98600001	0	1
21	O-ring 7x1,5	98422000	0	1
22	pull rod	97158000	0	1
a	pop up waste	88509000	0	1