

AXOR Starck Organic
AXOR Starck Organic Electronic Faucet with Temperature Control
 Finishes : **chrome** Part no. : **12171001**



Description

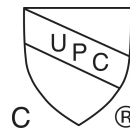
Features

- Shower spray pattern
- Theft-proof aerator
- Temperature control
- Infrared sensor
- Battery operated (battery type 6V CR-P2, included) with low battery indicator
- Hygiene rinse activatable (automatic water flow for 10 seconds every 24 hours following the last operation)
- Permanent rinse activatable (single water flow for 180 seconds, suitable for thermal disinfection)
- Temporary water stop feature for cleaning
- performance may be impaired if the sensor is obscured by the design of the wash basin, or when the wash basin is oversized and the distance between sensor and the wash basin edge is larger than 75mm
- 3/8" hoses

Technology



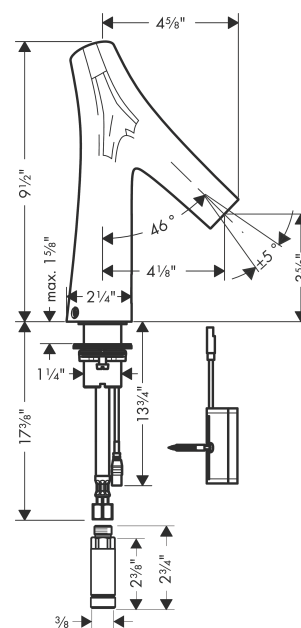
Compliance



Product image



Scale drawing

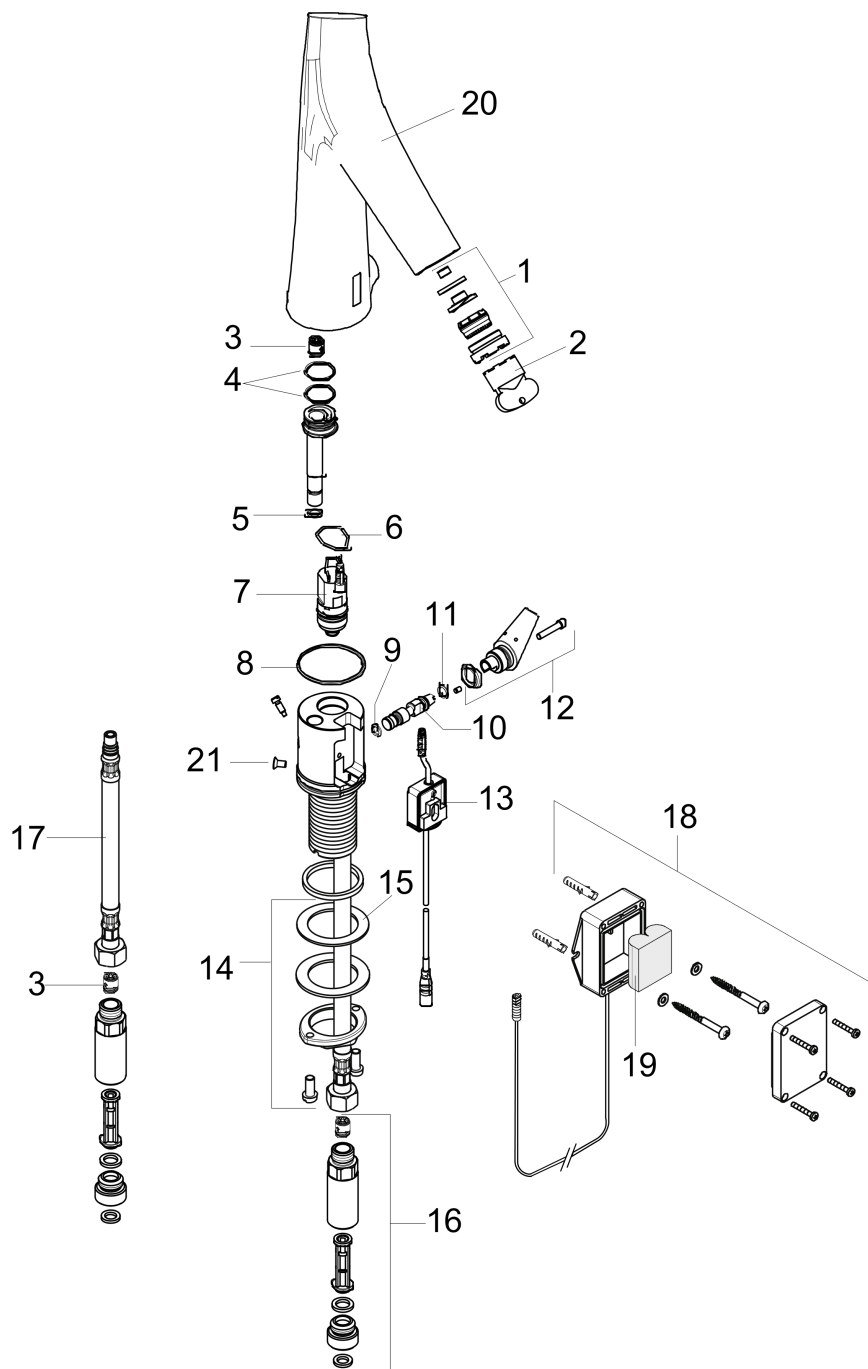


AXOR Starck Organic
AXOR Starck Organic Electronic Faucet with Temperature Control
Finishes : **chrome** Part no. : **12171001**



Exploded drawing

Year of production: >06/15



AXOR Starck Organic
AXOR Starck Organic Electronic Faucet with Temperature Control
 Finishes : **chrome** Part no. : **12171001**



Spare parts list

Year of production: >06/15

Pos.	Description	Part no.	PC	PU
1	spray former	92408001	0	1
2	special tool	95158000	0	1
3	non return valve DW 10	96456000	0	1
4	O-ring 18x1,5	98231000	0	1
5	O-ring 7x1,5	98422000	0	1
6	O-ring 17x2	98199000	0	1
7	solenoid valve	95654000	0	1
8	O-ring 41x2	98212000	0	1
9	O-ring 5x2	98215000	0	1
10	mixing shaft	92377000	0	1
11	O-ring 6x2	98458000	0	1
12	sliding gear lever	92409000	0	1
13	electronics	92346000	0	1
14	fixing set (Ø 32)	13961000	0	1
15	lever collar	97548000	0	1
16	back flow preventor cartridge with microfilter	92297000	0	1
17	connection hose 450 mm	92345000	0	1
18	battery box	98801000	0	1
19	battery	97399000	0	1
20	mixer-hood	92808000	0	1
21	screw	93272000	0	1