

Mortise & Deadbolt Solid Brass Backplates

- 1000 Series** — Traditional Roses —
2⁵/₈" diameter x 9¹⁶/₁₆".
- 2000 Series** — Modern Roses —
2⁹/₁₆" diameter x 3⁸/₈".
- 2000S Series** — Square Roses —
2⁹/₁₆" square x 7¹⁶/₁₆".
- 3000 Series** — Traditional Backplates —
10⁹/₁₆" x 2³/₈" x 5¹⁶/₁₆".
- 4000 Series** — Modern Backplates —
8¹/₄" x 2" x 1⁴/₄".
- 11000 Series** — Traditional Backplates —
10⁵/₈" x 2³/₈" x 5¹⁶/₁₆".

- 12000 Series** — Modern Backplates —
10⁹/₁₆" x 2³/₈" x 5¹⁶/₁₆".
- 24000 Series** — Roped Backplates —
10⁵/₈" x 2⁷/₁₆" x 3⁸/₈".
- 25000 Series** — Beaded Backplates —
10⁵/₈" x 2³/₈" x 5¹⁶/₁₆".
- 26000 Series** — Traditional Backplates —
10⁵/₁₆" x 2³/₄" x 5¹⁶/₁₆".
- 53000 Series** — Ornate Backplates —
13⁷/₈" x 2⁷/₈" x 3⁸/₈".
- 57000 Series** — Ornate Backplates —
14" x 3" x 3⁸/₈".

Mortise Locksets

Available with two backset options—2¹/₂" or 2³/₄". Please specify when ordering.

Backset: Available with two backset options: 2¹/₂" or 2³/₄". Please specify backset on order.

For Doors: 1³/₄" thick as standard. For doors over 1³/₄" thick, please specify door thickness.

- 2¹/₂" b.s.: with 3⁷/₈" minimum stile
- 2³/₄" b.s.: with 4¹/₂" minimum stile

Case: Heavy wrought steel with zinc dichromate finish for corrosion resistance.

- 2¹/₂" b.s.: 3⁵/₈" x 6¹/₁₆" x 1⁵/₁₆"
- 2³/₄" b.s.: 3¹⁵/₁₆" x 6¹/₁₆" x 1⁵/₁₆"

Front: Adjustable armored steel front, with 8" x 1¹/₄" solid brass faceplate for all lock bodies. Finished to match trim.

Latchbolt: Two-piece anti-friction design made from solid brass. Both lock bodies with 1" x 5⁸/₈" x 3⁴/₄" full throw.

Deadbolt:

- 2¹/₂" b.s.: 1³/₁₆" x 9¹⁶/₁₆" x 1" full throw solid brass with sawproof insert.
- 2³/₄" b.s.: 1¹/₈" x 1¹/₂" x 1" full throw stainless steel.

Springs: High carbon steel.

Strike: Solid brass curved lip strike. 4⁷/₈" x 1¹/₄" x lip 1¹/₄" to center. Finished to match trim. Dust box supplied as standard. Extended lip strikes available.

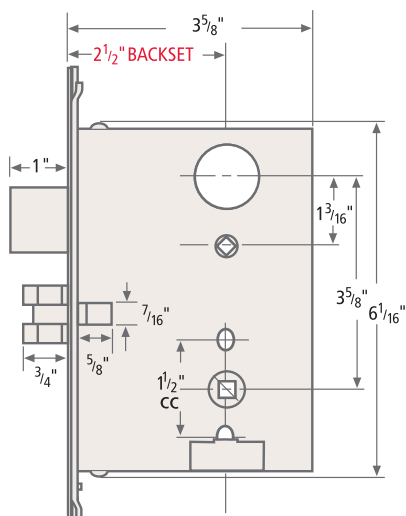
Hand: When ordering specify right or left hand, and reverse bevel if applicable. Reversing instructions available.

Cylinder: Solid brass from bar stock. Made in USA. Schlage "C" keyway supplied as a standard, with two OMNIA nickel silver keys. When applicable, cylinder collars are supplied with compression spring. Available on special order with a variety of other keyways & key combinations.

Keying: Specify Keyed Alike (KA) when needed. Master / Grand / Construction keying available at additional cost.

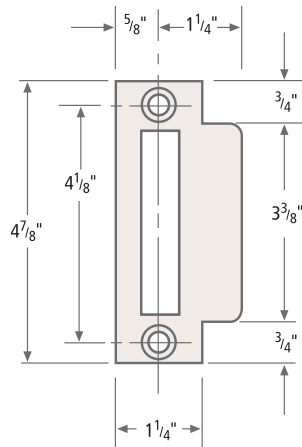
Safety Standards: 2¹/₂" and 2³/₄" b.s.: UL Listed 3 Hour (R13846). Grade 1 certified to ANSI/BHMA A156.13.2005 standard - exceeding 5 million cycles at independent third party test facility.

Made In U.S.A.



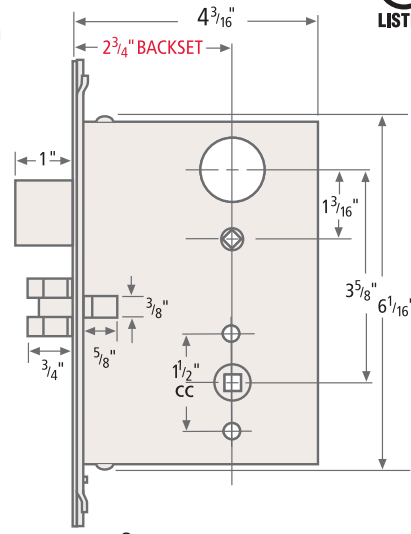
2¹/₂" Backset Lock

Same strike supplied with both 2¹/₂" and 2³/₄" b.s. locks.



Extended lip strikes available.

DRAWINGS NOT TO SCALE

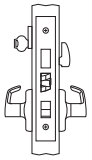
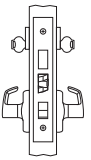
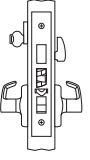
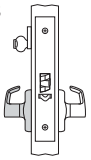
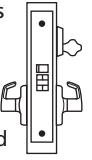
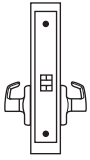
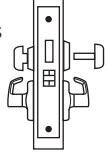


2³/₄" Backset Lock

Mortise Locksets

Available with two backset options—2½" or 2¾". Please specify when ordering.

All lever entry sets provide a lever outside and a lever inside with matching rose or backplate. If the outside trim is a lever with plate, the inside trim will match. If the outside trim is a lever with rose, the inside trim will be a lever with rose. The same is true for sets employing knobs. For additional trim options, see our Latchsets section.

<p>STANDARD ENTRY — A ANSI# FO8</p> <p>Latchbolt operates by knob or lever from either side except when outside trim is locked by stopbutton; then opens by key outside, by knob or lever inside. Deadbolt activated by key outside and by turnpiece inside.</p> 	<p>DOUBLE CYLINDER ENTRY — AC</p> <p>Latchbolt operates by knob or lever from either side except when outside trim is locked by stopbutton; then opens by key outside, by knob or lever inside. Deadbolt activated only by key from either side.</p> 	<p>PANIC - PROOF ENTRY — F ANSI# F12</p> <p>Latchbolt operates by knob or lever from either side except when outside trim is locked by stop button. Deadbolt activated by key outside and turnpiece inside. Turning of inside knob or lever will retract both deadbolt and latchbolt at the same time.</p> 	
<p>STOREROOM — EW ANSI# F07</p> <p>Latchbolt operates by knob or lever inside and by key outside. The outside knob or lever is rigid. Auxiliary latchbolt deadlocks latchbolt.</p> 	<p>CLASSROOM — J ANSI# FO5</p> <p>Latchbolt operates by knob or lever either side except when outside knob or lever is locked or unlocked by key in the cylinder. Auxiliary latchbolt deadlocks latchbolt.</p> 	<p>PASSAGE — N ANSI# FO1</p> <p>Latchbolt operates by knob or lever either side.</p> 	<p>PRIVACY — L ANSI# FO2</p> <p>Latchbolt operates by knob or lever either side. Deadbolt by turnpiece inside and emergency key outside. Turning of inside knob or lever will retract both deadbolt and latchbolt at the same time.</p> 

Commercial Installations: Please specify when ordering locksets for commercial use. Dummy applications are not recommended for commercial use.

 All OMNIA lever locksets meet ADA accessibility requirements.

 **Made In U.S.A.**

Sectional Trim Mortise Locksets

When ordering mortise locksets with sectional trim, please note: Locks in the **1000 Series**, will be supplied with the rose as shown with that specific model knob or lever in the Latchset section of this catalog (traditional, beaded, ornate or roped). Locks in the **2000 Series**, will be supplied with the modern rose as shown with that specific knob or lever in the Latchset section of this catalog. Locks in the **2000S Series** will be supplied with the square rose as shown below.

