

# Stainless Steel Metro and Urban Tubular Deadbolt Handlesets

Available with two backset options – 2<sup>3</sup>/<sub>8</sub>" or 2<sup>3</sup>/<sub>4</sub>" (2<sup>3</sup>/<sub>8</sub>" backset shipped standard). Please specify when ordering.

Lockset Options: **A, F, PD, SDE, SDI** (see box below)

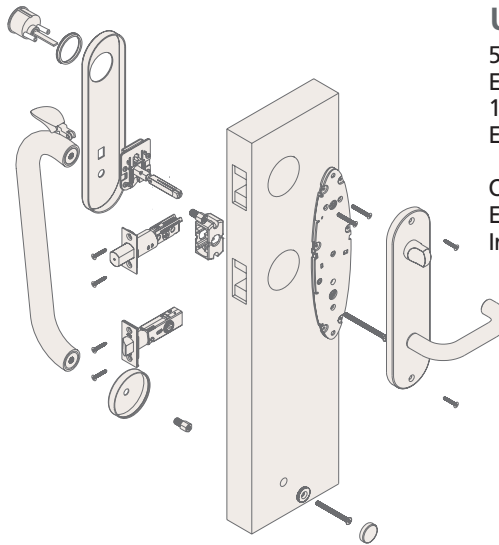
## Metro Dimensions

5<sup>1</sup>/<sub>2</sub>" center to center  
 Exterior (Top Plate) and Interior:  
 10<sup>1</sup>/<sub>4</sub>" x 2<sup>9</sup>/<sub>16</sub>" x 7<sup>1</sup>/<sub>16</sub>"  
 Exterior (Bottom Rose): 2<sup>1</sup>/<sub>16</sub>" diameter

Overall:  
 Exterior: Length 16<sup>7</sup>/<sub>8</sub>" x 3<sup>5</sup>/<sub>16</sub>" projection  
 Interior: Length 10<sup>1</sup>/<sub>4</sub>" x 2<sup>7</sup>/<sub>8</sub>" projection

### Lock Options

- Single Cylinder – **A**
- Panic Proof Entry – **F**
- Pair Dummy – **PD**
- Single Dummy Exterior – **SDE**
- Single Dummy Interior – **SDI**



## Urban Dimensions

5<sup>1</sup>/<sub>2</sub>" center to center  
 Exterior (Top Plate) and Interior:  
 10<sup>1</sup>/<sub>2</sub>" x 2<sup>1</sup>/<sub>2</sub>" x 7<sup>1</sup>/<sub>16</sub>"  
 Exterior (Bottom Rose): 2" square

Overall:  
 Exterior: Length 16<sup>3</sup>/<sub>4</sub>" x 2<sup>3</sup>/<sub>8</sub>" projection  
 Interior: Length 10<sup>1</sup>/<sub>2</sub>" x 2<sup>5</sup>/<sub>8</sub>" projection



## METRO

US32D

Tubular Deadbolt Lockset  
 5-1/2" Center to Center



Interior Trim  
 With 12 Lever



Interior Trim  
 With 11 Lever



## URBAN

US32D

Tubular Deadbolt Lockset  
 5-1/2" Center to Center



Interior Trim  
 With 12 Lever



Interior Trim  
 With 43 Lever