

# NARROW PLATE LATCHSET INSTALLATION TEMPLATE

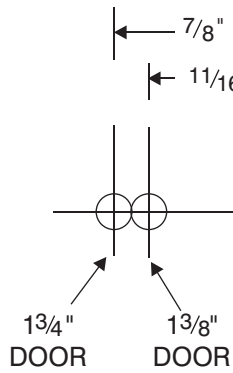
**NOTE: Template may not be true-to-size. Please use for reference purposes only. DO NOT drill until measurements are verified.**

**CAUTION: DOOR AND FRAME MANUFACTURERS**

When door gasketing or silencers are used, proper allowances must be made for strike location to maintain a common centerline with lock and door so that the bolt will freely enter strike.

USE LATCH  
FACEPLATE AS  
A TEMPLATE

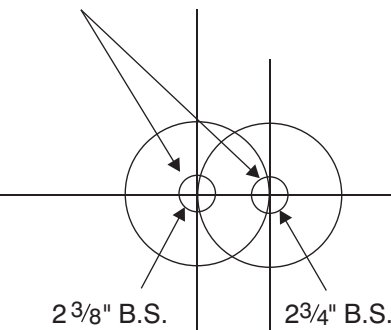
DRILL 1" DIA. HOLE



FOLD ALONG DOOR EDGE

5/32"

DRILL 3/4" DIA. HOLE



**LATCHBOLT**  
FOR LEVER OR KNOB

38"  
FROM  
FLOOR

3 3/8" CC

**IMPORTANT:**

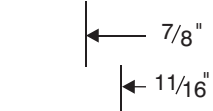
Drill 1" Diameter hole.  
3 3/4" Deep for 2 3/8" B.S.  
4 1/8" Deep for 2 3/4" B.S.

**IMPORTANT:**

NOTE: DO NOT DRILL  
IF PRIVACY BOLT IS  
NOT BEING USED.

1 3/4" DOOR  
1 3/8" DOOR

DRILL 1" DIA. HOLE



FOLD ALONG DOOR EDGE

DRILL 3/4" DIA. HOLE

**PRIVACY BOLT**  
ONLY DRILL IF USING  
PRIVACY BOLT

USE PRIVACY BOLT  
FACEPLATE AS  
A TEMPLATE



CEDAR GROVE, NJ 07009

OM-NPLT

Rev. 12/29/10