

Rectangular Series

Glass Vessel Bathroom Sink

Kräus®

SPECIFICATION SHEET

Thickness
15mm

Installation Type
Vessel

Dimensions
21 7/8" x 13 7/8" x 4"

Models
Irruption Blue Rectangular/
GVR-204-RE
Golden Pearl Rectangular/
GVR-210-RE

Bowl Shape
Rectangular

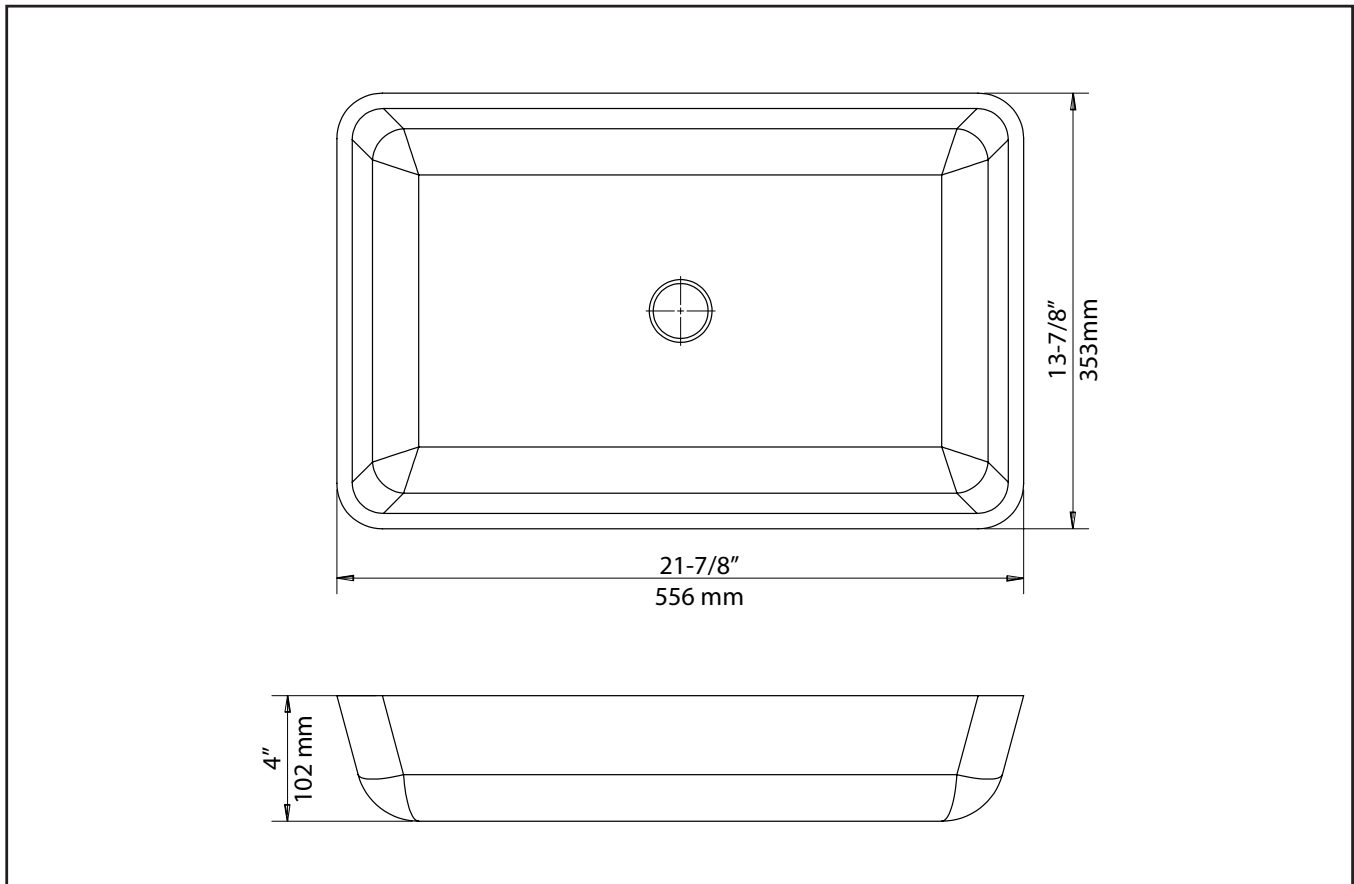
Optional Accessories
Pop-Up Drain: PU-10/PU-15
Grid Drains: PU-12
P-Traps: PT-50

Material
Tempered Glass

Drain
Type: W/O Overflow
Drain Hole Size: 1 3/4"
Mounting Ring: Not Required

Kraus Limited Lifetime Warranty: See website for details www.kraususa.com

1.800.775.0703 / customerservice@kraususa.com



MR-1

Mounting Ring

Kräus®

SPECIFICATION SHEET

Finish

- Chrome
- Gold
- Satin Nickel
- Oil Rubbed Bronze

Material

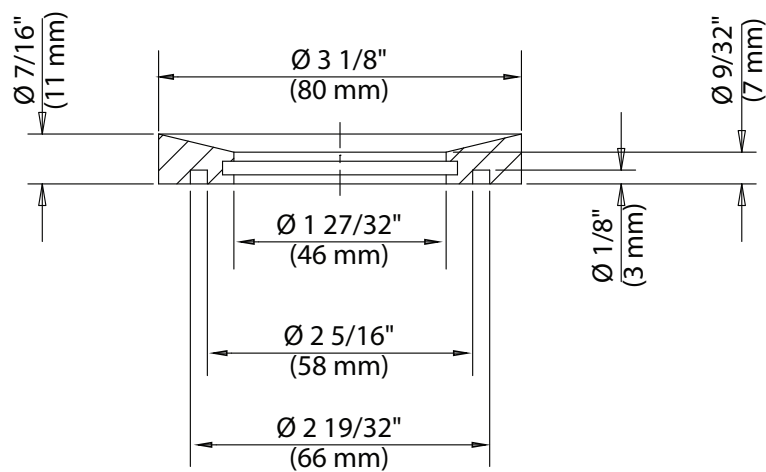
Brass

Features

- Solid Brass Construction
- Designed to Work w/ Above-Counter Vessel Sinks w/o Overflow
- Fits Standard Drain Assembly w/o Overflow

Kraus Limited Lifetime Warranty: See website for details www.kraususa.com

1.800.775.0703 / customerservice@kraususa.com



REV. August 18, 2016

KVF-1200

Arlo™ Single Lever Vessel Bathroom Faucet

Chrome / Spot Free all-Brite™ Stainless Steel / Oil Rubbed Bronze /
Matte Black Finishes

Kräus®

SPECIFICATION SHEET

Material

Body: Brass
Handle: Zinc
Waterway: Brass

Faucet Type

Vessel Faucet

Aerator

Flow Rate: 1.2 gpm (4.5L/min) @ 60 psi
Name: CASCADE® Smart Lime Cleaning

Cartridge

Type: Ceramic
Size: 25mm
Style: Lever

Mounting

Holes: 1 Holes
Type: Steel Bolt & Steel Washer & Steel Nut

Waterlines

Length: 22"
Flexible
Connections: 3/8"
Materials: Braided Nylon
Included

Dimensions

Overall Height: 12 1/8"
Spout Height: 8 1/4"
Spout Reach: 5"

Accessories Included

Pop-Up Drain, Hex Wrench, Aerator Key

Kraus Lifetime Limited Warranty: See website for details www.kraususa.com

1.800.775.0703 / customerservice@kraususa.com

