

# Elavo™ / KCV-127

White Ceramic Soft Square Vessel Bathroom Sink

# Kräus®

SPECIFICATION SHEET

## Material

Vitreous China

## Installation Type

Vessel

## Bowl Shape

Square

## Drain

Type: W/O Overflow

Drain Hole Size: 1 3/4"

## Dimensions

18 1/8" x 16 1/8" x 5 1/2"

## Optional Accessories

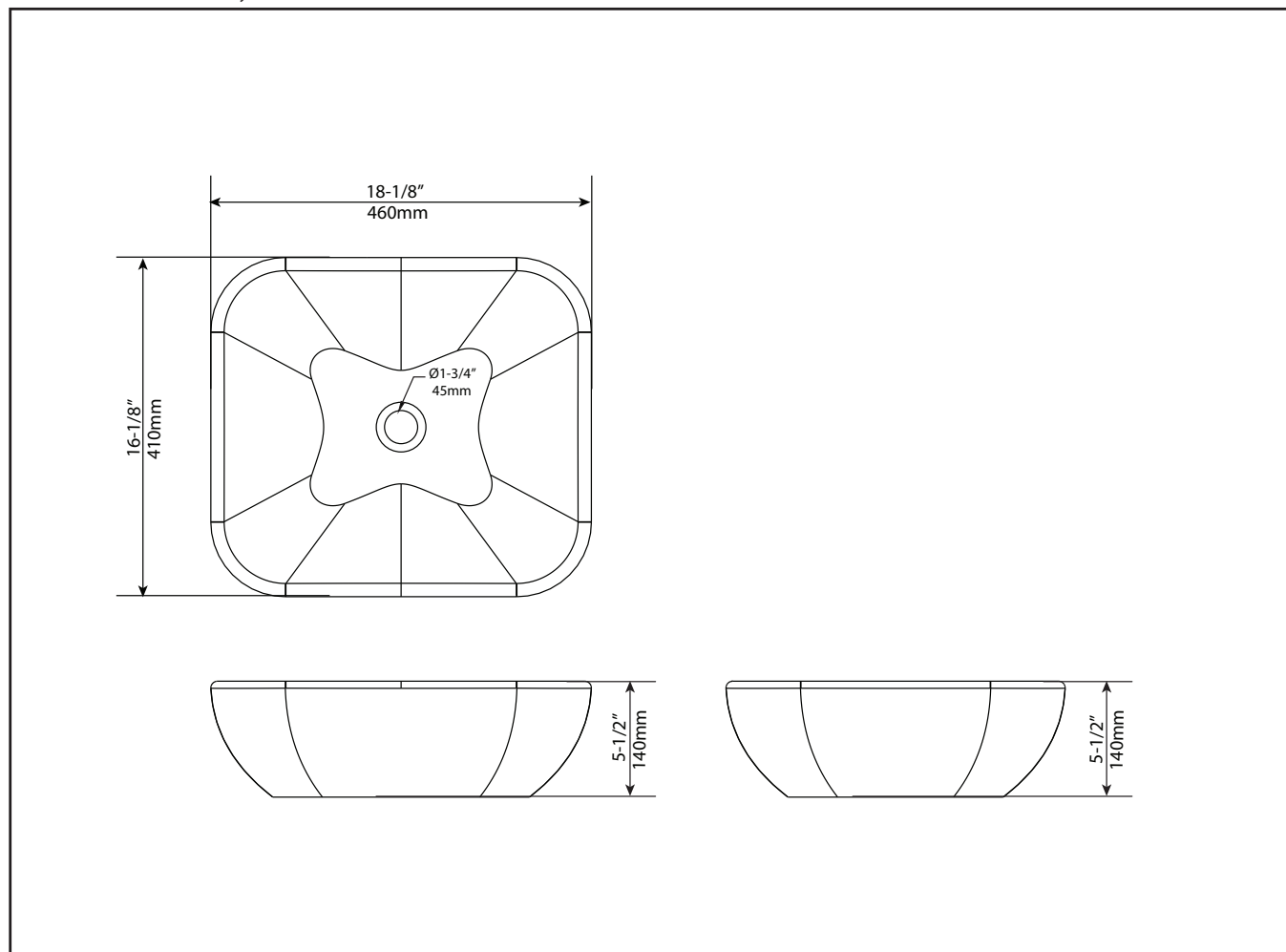
Pop-Up Drain: PU-10/PU-15

Grid Drains: PU-12

P-Traps: PT-50

Kraus Limited Lifetime Warranty: See website for details [www.kraususa.com](http://www.kraususa.com)

1.800.775.0703 / [customerservice@kraususa.com](mailto:customerservice@kraususa.com)



Codes/Standards: Pending

REV. August 16, 2016

# KVF-1200

## Arlo™ Single Lever Vessel Bathroom Faucet

Chrome / Spot Free all-Brite™ Stainless Steel / Oil Rubbed Bronze /  
Matte Black Finishes

# Kräus®

## SPECIFICATION SHEET

### Material

Body: Brass  
Handle: Zinc  
Waterway: Brass

### Faucet Type

Vessel Faucet

### Aerator

Flow Rate: 1.2 gpm (4.5L/min) @ 60 psi  
Name: CASCADE® Smart Lime Cleaning

### Cartridge

Type: Ceramic  
Size: 25mm  
Style: Lever

### Mounting

Holes: 1 Holes  
Type: Steel Bolt & Steel Washer & Steel Nut

### Waterlines

Length: 22"  
Flexible  
Connections: 3/8"  
Materials: Braided Nylon  
Included

### Dimensions

Overall Height: 12 1/8"  
Spout Height: 8 1/4"  
Spout Reach: 5"

### Accessories Included

Pop-Up Drain, Hex Wrench, Aerator Key

Kraus Lifetime Limited Warranty: See website for details [www.kraususa.com](http://www.kraususa.com)

1.800.775.0703 / [customerservice@kraususa.com](mailto:customerservice@kraususa.com)

