

KCV-121

White Rectangular Ceramic Bathroom Sink

Kräus®

SPECIFICATION SHEET

Material

Vitreous China

Installation Type

Vessel

Bowl Shape

Rectangular

Drain

Type: W/O Overflow

Drain Hole Size: 1 3/4"

Dimensions

18 3/4" x 14 1/4" x 5 1/4"

Optional Accessories

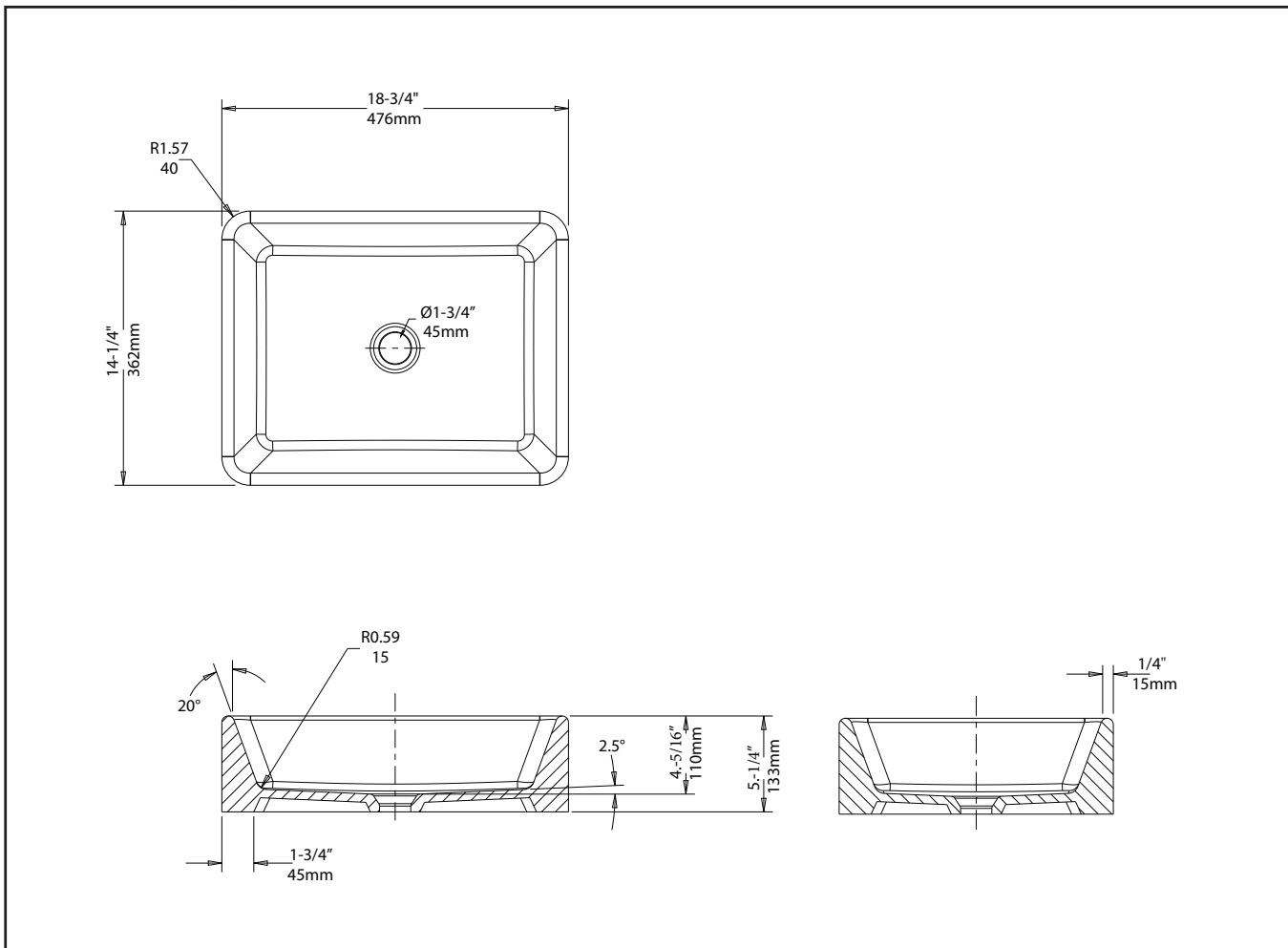
Pop-Up Drain: PU-10/PU-15

Grid Drains: PU-12

P-Traps: PT-50

Kraus Limited Lifetime Warranty: See website for details www.kraususa.com

1.800.775.0703 / customerservice@kraususa.com



Codes/Standards: CSA B45.11/IAPMO Z401

REV. August 16, 2016

KVF-1200

Arlo™ Single Lever Vessel Bathroom Faucet

Chrome / Spot Free all-Brite™ Stainless Steel / Oil Rubbed Bronze /
Matte Black Finishes

Kräus®

SPECIFICATION SHEET

Material

Body: Brass
Handle: Zinc
Waterway: Brass

Faucet Type

Vessel Faucet

Aerator

Flow Rate: 1.2 gpm (4.5L/min) @ 60 psi
Name: CASCADE® Smart Lime Cleaning

Cartridge

Type: Ceramic
Size: 25mm
Style: Lever

Mounting

Holes: 1 Holes
Type: Steel Bolt & Steel Washer & Steel Nut

Waterlines

Length: 22"
Flexible
Connections: 3/8"
Materials: Braided Nylon
Included

Dimensions

Overall Height: 12 1/8"
Spout Height: 8 1/4"
Spout Reach: 5"

Accessories Included

Pop-Up Drain, Hex Wrench, Aerator Key

Kraus Lifetime Limited Warranty: See website for details www.kraususa.com

1.800.775.0703 / customerservice@kraususa.com

