

# KCV-121

## White Rectangular Ceramic Bathroom Sink

Kräus®

SPECIFICATION SHEET

### Material

Vitreous China

### Installation Type

Vessel

### Bowl Shape

Rectangular

### Drain

Type: W/O Overflow

Drain Hole Size: 1 3/4"

### Dimensions

18 3/4" x 14 1/4" x 5 1/4"

### Optional Accessories

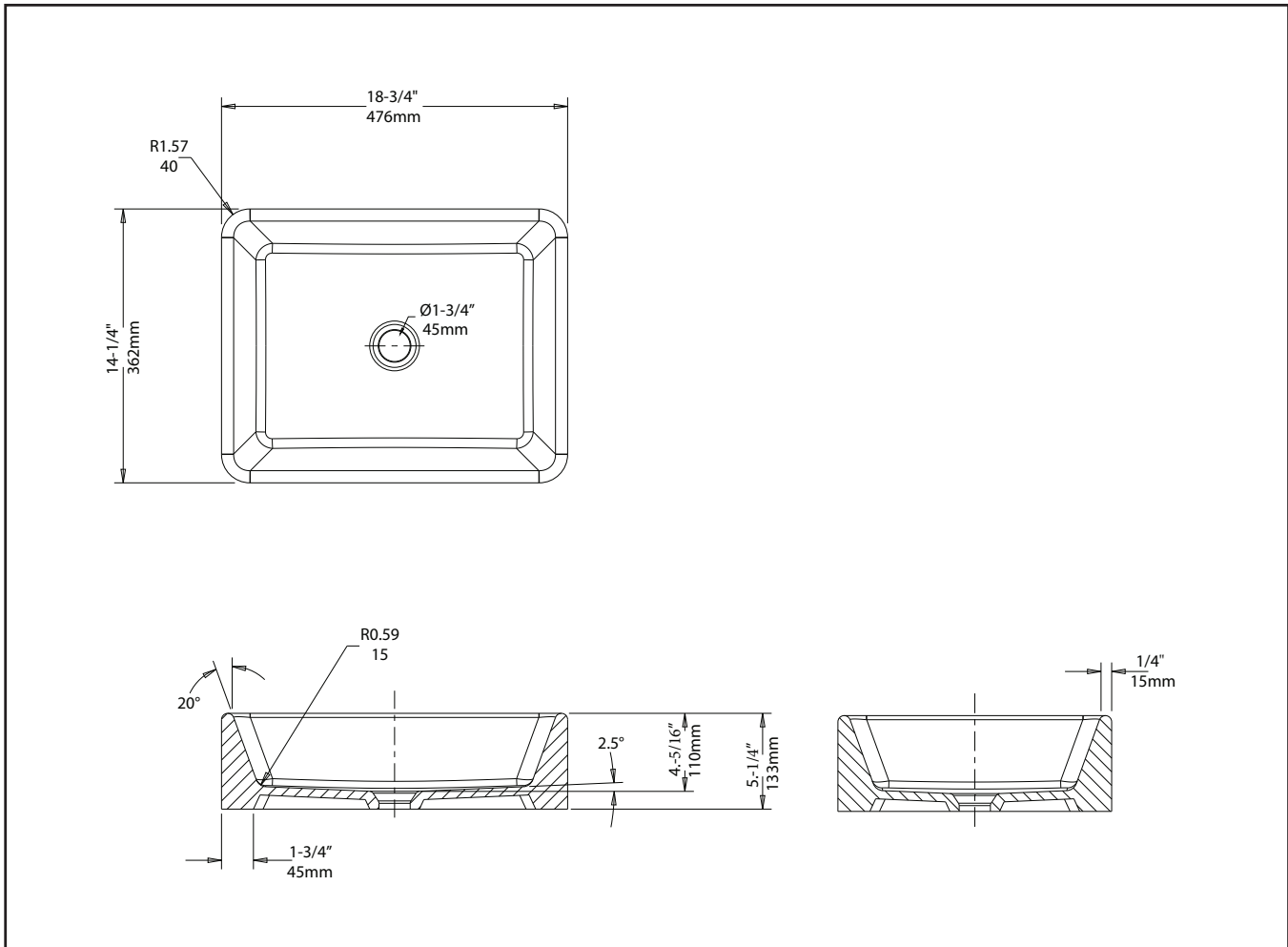
Pop-Up Drain: PU-10/PU-15

Grid Drains: PU-12

P-Traps: PT-50

Kraus Limited Lifetime Warranty: See website for details [www.kraususa.com](http://www.kraususa.com)

1.800.775.0703 / [customerservice@kraususa.com](mailto:customerservice@kraususa.com)



# Riviera / FVS-1005

## Single Lever Vessel Bathroom Faucet

Chrome / Oil Rubbed Bronze / Satin Nickel Finishes

# Kräus®

SPECIFICATION SHEET

### Material

Body: Brass  
Handle: Zinc  
Waterway: Brass

### Faucet Type

Vessel

### Cartridge

Brand: Kerox  
Size: 35mm  
Style: Lever

### Mounting

Holes: 1 Hole  
Type: Brass Nut

### Aerator

Brand: Neoperl/1.2GPM  
Name: Perlator Honeycomb  
Flow Rate: 1.2gpm (4.5L/min) @ 60 psi

### Dimensions

Faucet Dimensions: 13" x 5 1/2" x 6 1/4"

### Accessories Included

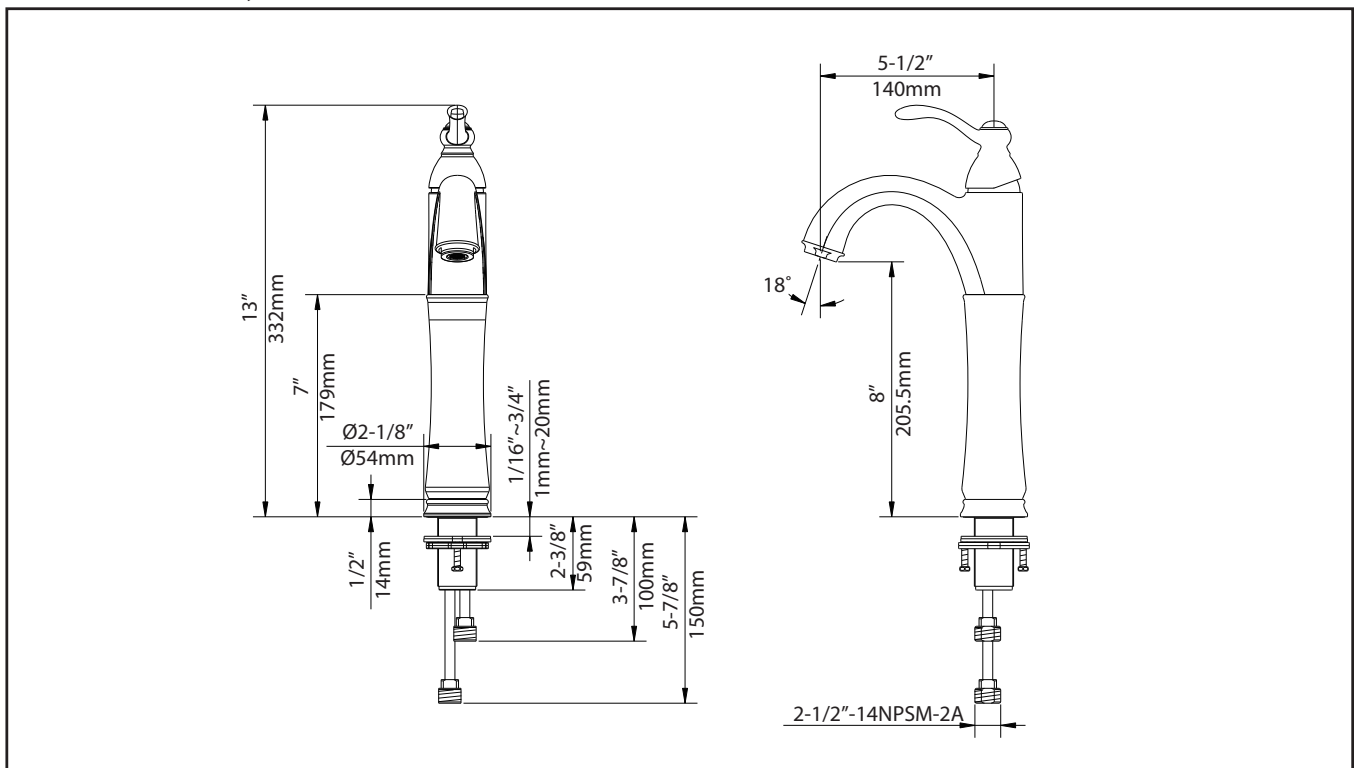
Hex Wrench, Deck Plate

### Optional Accessories

PU-10, PU-15  
PU-12

Kraus Limited Lifetime Warranty: See website for details [www.kraususa.com](http://www.kraususa.com)

1.800.775.0703 / [customerservice@kraususa.com](mailto:customerservice@kraususa.com)



Codes/Standards: Meets ASME A112.18.1/CSA B125.1, NSF/ANSI Standard 61 certified by IAPMO, NSF/ANSI Standard 372 certified by IAPMO, CAL GREEN, EPA, DOE, CEC, ADA

REV. December 8, 2016

# PU-10

## Pop Up Drain w/o Overflow

Kräus®

SPECIFICATION SHEET

### Finish

- Chrome
- Gold
- Satin Nickel
- Oil Rubbed Bronze

### Material

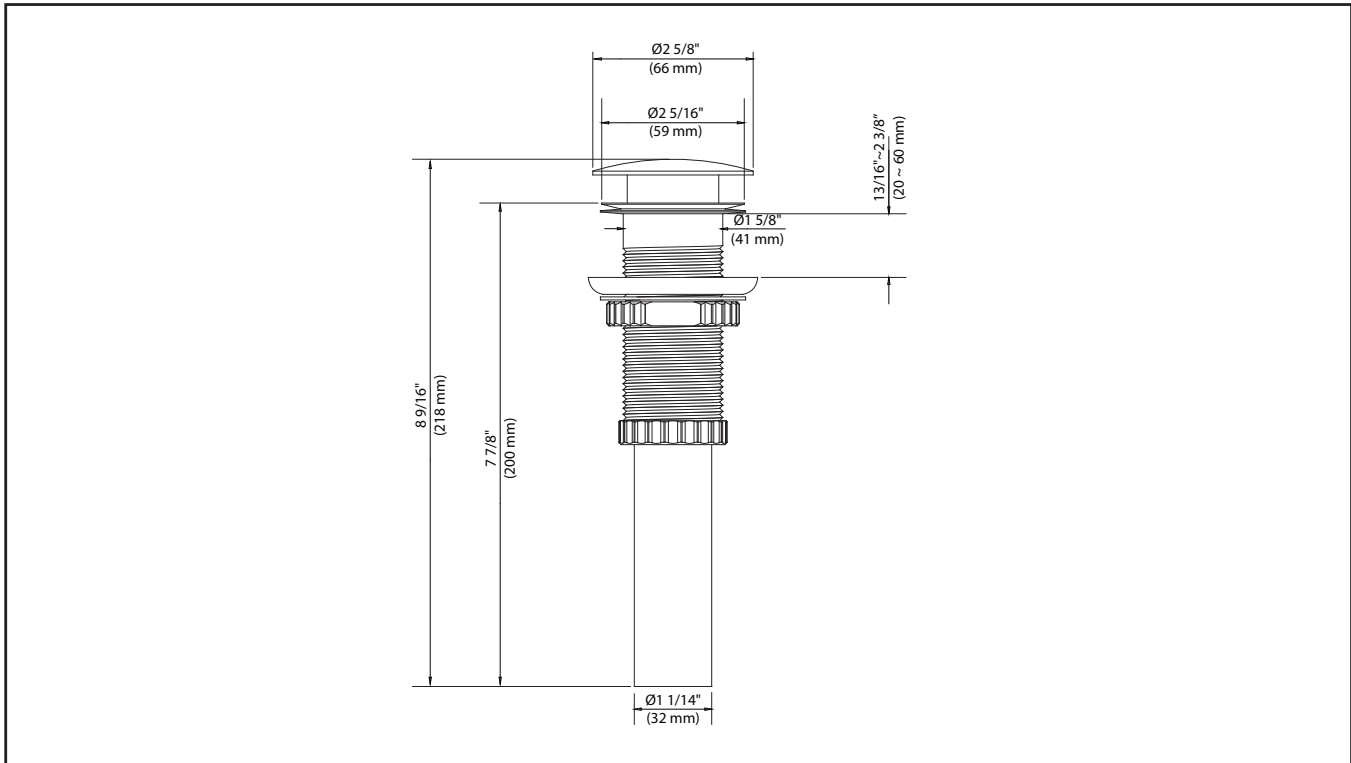
Brass

### Features

- Solid Brass Construction
- Connection 1-1/4"
- Designed to Work w/ Above-Counter Vessel Sinks w/o Overflow
- Fits Standard 1 3/4" Drain Opening

Kraus Limited Lifetime Warranty: See website for details [www.kraususa.com](http://www.kraususa.com)

1.800.775.0703 / [customerservice@kraususa.com](mailto:customerservice@kraususa.com)



REV. August 17, 2016