



AQUATIC

ACRYLX™  
WHIRLPOOL BATH  
INSTALLATION AND  
OWNER'S MANUAL

**TO BE REMOVED FOR USE BY THE OCCUPANT**

Note: Read all instructions before proceeding with installation.  
All specifications are  $\pm 1/4''$  (5 mm) and are subject to change without notice.





## TABLE OF CONTENTS

<b>PRODUCT REGISTRATION INFORMATION</b>	<b>4</b>
<b>INTRODUCTION</b>	<b>5</b>
<b>INSTRUCTIONS PERTAINING TO A RISK OF FIRE, ELECTRIC SHOCK, OR INJURY TO PERSONS</b>	<b>6-7</b>
<b>PRE-INSTALLATION REQUIREMENTS</b>	<b>8-9</b>
Inspection Before Installation	8
Before You Start	9
<b>INSTALLATION REQUIREMENTS</b>	<b>10</b>
Pre-Planning Access, Plumbing & Electrical Installation	10
<b>INSTALLATION INSTRUCTIONS</b>	<b>11-16</b>
Framing Diagrams	11
Deck Cut-Outs	12
Electrical Connections	14-15
Final System Test & Clean-Up	16
<b>OPERATION INSTRUCTIONS</b>	<b>17</b>
Your whirlpool bathtub — what it is and how it works.	17
Before Your First Use	17
<b>MAINTENANCE AND CARE</b>	<b>18-19</b>
Tub Care	18
Cleaning Procedures for Gelcoat Surfaces	19
<b>WATER QUALITY</b>	<b>20-21</b>
Chemical & Water Quality	20-21
<b>TROUBLESHOOTING GUIDE</b>	<b>22</b>
<b>REPLACEMENT PARTS LIST</b>	<b>23</b>
<b>REPLACEMENT PARTS ORDER FORM</b>	<b>24</b>
<b>AQUATIC LIMITED WARRANTY</b>	<b>26</b>

# AQUATIC

## Product Registration Information

Your product warranty is registered and confirmed with Aquatic through the Serial Number on your unit. You do not need to contact Aquatic to confirm registration. Please fill out the information below and reference when contacting the distributor to expedite warranty claims.

### OWNER INFORMATION:

---

Model Name

---

Serial Number

---

Purchase Date

---

Distributor



### Model & Serial Number Location

The tub model and serial numbers are located above the pump area on the backside of the bathtub. An access panel should be placed by the installer at this location.



# AQUATIC

The bath people

Customer Service: 800.945.2726

[www.aquaticbath.com](http://www.aquaticbath.com)



Please read and follow all of the instructions contained in this Owner's Manual before installing, operating or maintaining your whirlpool. In addition, you should continually refer to these instructions during the life of your whirlpool. Failure to comply with these instructions may invalidate your warranty. If you have any questions concerning installation, operation, maintenance or any other aspect of your whirlpool, please contact:

**AQUATIC CUSTOMER SERVICE CENTER: (800) 945-2726**

(The Troubleshooting Guide on page 22 may be helpful in answering some of your questions.)

**NOTE:**

The installation and service of your whirlpool should be performed **ONLY** by a qualified electrician and plumber.

## **IMPORTANT!**

This product **MUST BE WATER-TESTED** and inspected prior to installation or warranty will be voided. Neither Aquatic nor the distributor will be responsible for removal or reinstallation costs should replacement of the bath be necessary.

**PLEASE CHECK ENTIRE UNIT FOR ANY DAMAGE.**

If it appears damaged, contact your Aquatic Distributor immediately.  
Aquatic warranty does not cover damage that occurs in transit.

# INSTRUCTIONS PERTAINING TO A RISK OF FIRE, ELECTRIC SHOCK, OR INJURY TO PERSONS

**WARNING:** When using this unit, basic precautions should always be followed, including the following:

## READ AND FOLLOW ALL INSTRUCTIONS:

- **WARNING:** Risk of lethal electric shock. To reduce risk of electric shock, connect only to circuits protected by a Ground-Fault Circuit-Interrupter (GFCI) or Residual Current Device (RCD).
- **DANGER:** To reduce the risk of injury, do not permit children to use this unit unless they are closely supervised at all times.
- Use this unit only for its intended use as described in this manual. Do not use additional attachments and/or equipment not recommended by the manufacturer.
- Never drop or insert any object into any opening.
- Do not operate this unit without the guard over the suction fitting.
- The unit must be connected only to a supply circuit that is protected by a Ground-Fault Circuit-Interrupter (GFCI). Such a GFCI should be provided by the installer and should be tested on a routine basis. To test the GFCI, push the test button. The GFCI should interrupt power. Push the reset button. Power should be restored. If the GFCI fails to operate in this manner, there is a ground current flowing, indicating the possibility of an electric shock. Do not use this unit. Disconnect the unit and have the problem corrected by a qualified service representative before using.
- This product is intended for indoor use only. Installing this unit outdoors could cause personal injury and will void your warranty.

## SAVE THESE INSTRUCTIONS.

### Pump/motor:

A separate 120-volt, 60-Hz, AC-only, 15-ampere circuit, protected by a Ground-Fault Circuit-Interrupter (GFCI) (GFCI) is required.

## CALIFORNIA PROP. 65



**WARNING:** This product can expose you to chemicals including styrene and styrene compounds, which are known to the State of California to cause cancer and birth defects or other reproductive harm. For more information go to [www.p65warnings.ca.gov](http://www.p65warnings.ca.gov)

## ⚠ WARNING



### Electrical Shock Hazard

Plug into a grounded 3-prong outlet.

Do not remove ground prong.

Do not use an adapter.

Do not use an extension cord.

Failure to follow these instructions can result in death, fire, or electrical shock.

## Your safety and the safety of others are very important.

We have provided many important safety messages in this manual and on your appliance. Always read and obey all safety messages.



This is the safety alert symbol. This symbol alerts you to potential hazards that can kill or hurt you and others.

All safety messages will follow the safety alert symbol and either the word "DANGER" or "WARNING." These words mean:

## ⚠ DANGER

You can be killed or seriously injured if you don't immediately follow instructions.

## ⚠ WARNING

All safety messages will tell you what the potential hazard is, tell you how to reduce the chance of injury, and tell you what can happen if the instructions are not followed.

# INSTRUCTIONS PERTAINING TO A RISK OF FIRE, ELECTRIC SHOCK, OR INJURY TO PERSONS

Before taking your first whirlpool bath, be sure you have performed the "test run." [See **OPERATION INSTRUCTIONS** on page 17.] Be sure that you are familiar with all the controls and switches and that the unit is operating properly.

1. The water in a whirlpool should never exceed 40° C (104° F). Water temperature between 38° C (100° F) and 40° C (104° F) are considered safe for a healthy adult. Bathing time should be limited to approximately 30 minutes, followed by a shower to cool down. Longer exposure may result in hyperthermia. The symptoms of this condition are nausea, dizziness and fainting, which can be fatal. Lower water temperatures are recommended for extended use (exceeding 10-15 minutes) and for young children.
2. If you will not be operating the whirlpool system during your bath, you may fill the bathtub to any comfortable level. However, if you will operate the system, you must fill the bathtub as described in the section entitled **OPERATION INSTRUCTIONS** on page 17. This will assure proper operation of the system and keep the jets from spraying water outside the bathtub.
3. **A few important bathing "DON'T'S"-**

## **DO NOT operate the whirlpool system if:**

- The bathtub isn't filled to required levels above jets.
- You're pregnant (until you've consulted your doctor).
- You're taking medications or drugs that may make you drowsy.
- You're drinking any form of alcohol.
- You've just had a meal. Wait for 30 minutes after eating.
- There is a child in the bathtub who may be left unattended at any time. Never allow small children to remain unattended in any bathtub.
- There are any small objects in the bathtub. The jet action can move small objects at high speeds, causing possible injury.
- The safety suction cover is not in place. The suction cover is the large fitting with a pattern of holes on its face, mounted on the bathtub's side wall. **See Figure 1.**
- You're smoking. The heat of burning tobacco can damage the bathtub surface. Keep tobacco products and ashtrays away from the bathtub.
- You have problems with your immunity system (until you have consulted your doctor).
- Never operate electrical appliances (television, hair dryer, radio, telephone, etc.) inside or within five feet (5') of the bath.
- You are using additional attachments and/or equipment not recommended by the manufacturer.
- You have a medical history of heart disease, low or high blood pressure, circulatory system problems, or diabetes, consult with a physician before using a whirlpool.
- You are under the influence of drugs, anticoagulants, stimulants, antihistamines, vasoconstrictors, vasodilators, hypnotics, narcotics, or tranquilizers.

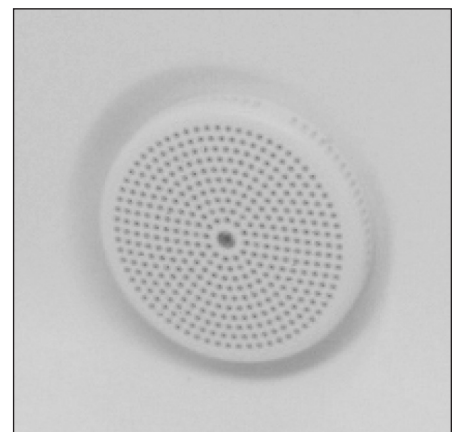
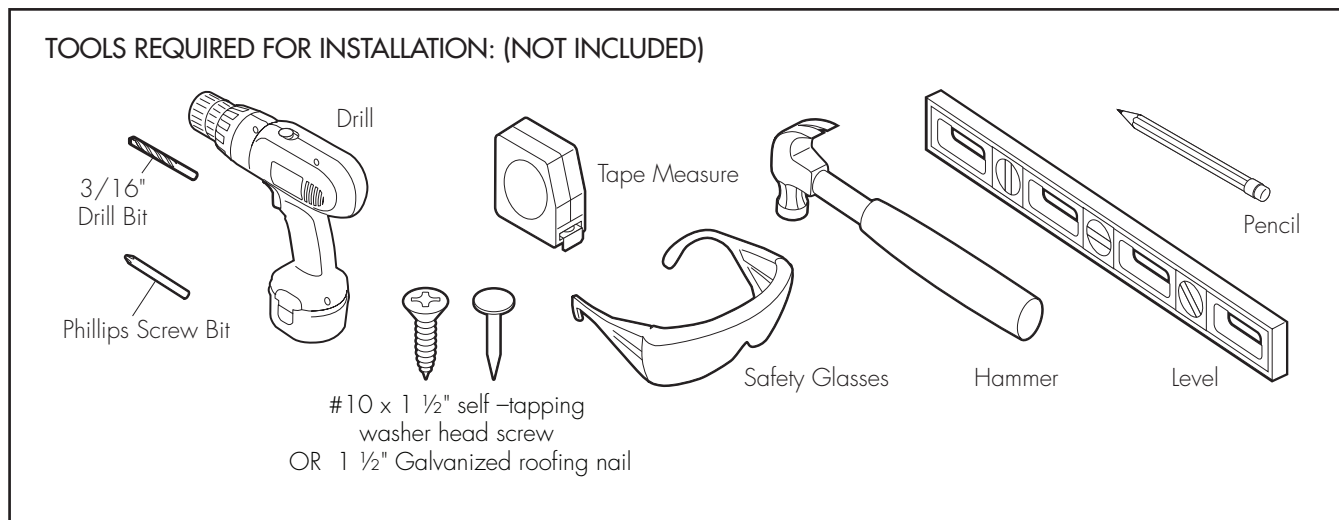


Figure 1

## PRE-INSTALLATION REQUIREMENTS



### INSPECTION BEFORE INSTALLATION

1. Inspect the Aquatic jetted bath to ensure it is the correct model number, size, color, and has all features, options and accessories originally ordered.
2. If damage or shortage has occurred, notify your distributor, freight carrier, or Aquatic Customer Service Center at (800) 945-2726.

**NOTICE:** Under no circumstances should a damaged or defective bath be installed without prior factory approval. Neither Aquatic nor the distributor will be responsible for removal or reinstallation costs should replacement of the bath be necessary.

3. Whirlpool is factory-assembled, complete with motor, pump, controls and plumbing. **DO NOT** lift or support unit using plumbing lines or any part of circulation system. **DO NOT** relocate or otherwise modify any part of the factory-installed circulation system, as this may affect the performance or safe operation of the whirlpool and will **VOID ALL WARRANTIES**.
4. For an Aquatic jetted tub supplied with a motor that has an integral pneumatic on/off switch - Make certain the air tube that is connected to the motor is also connected to the on/off button nipple under the deck in order for the system to function.
5. Inspect whirlpool unit and circulation system carefully before installing. Water test the unit before installation. If any damages or defects are observed, **DO NOT INSTALL**. Repack unit and notify distributor immediately.
6. This unit has been factory-tested prior to shipment for leakage and proper operation of the system. However, in transit and handling, the half-unions on the suction and discharge ends of the pump may become loose. Make sure these are hand-tight.



## BEFORE YOU START

**IMPORTANT: Observe all governing codes and ordinances.**

1. Proper installation is your responsibility. Have a qualified technician install this bath.
2. Installation using a Ground-Fault Circuit-Interrupter (GFCI) is required. [See **ELECTRICAL CONNECTIONS** on page 14.]
3. It is your responsibility:
  - To contact a qualified electrical installer.
  - To assure that electrical installation is adequate and in conformance with National Electrical Code, ANSI/NFPA 70 - latest edition.

Copies of this standard may be obtained from:

National Fire Protection Association  
One Batterymarch Park  
Quincy, Massachusetts 02169  
(617) 770-3000

# INSTALLATION REQUIREMENTS

## PRE-PLANNING ACCESS, PLUMBING & ELECTRICAL INSTALLATION

1. Building materials and wiring should be routed away from the pump body or other heat-producing components.
2. Ensure that the floor is level and can support a load of 50 lbs. per square foot. (If floor is not level, shims may be needed to level the bath.)
3. Plan installation to permit access for servicing. A minimum access panel of 16" x 16" must be provided to access the pump or other equipment should service be needed at a later date.
4. Rough-in should be kept to a minimum until the unit is on the job site. Measurements may vary plus zero and minus 3/8" (+0, -3/8") from original specifications.
5. Sufficient clearance must be provided for access to service connections (motor, pump, and heater.)
  - a) Alcove Installation (with optional skirt panel): Access is provided by removing the skirt panel. To permit removal of skirt panel, allow at least 6" (150) clearance at both ends of tub: vanity, toilet, etc, must not obstruct skirt removal.
  - b) Island or Pier Installations: Provide access panel at motor end. [See **FRAMING DIAGRAMS** on page 11.]
  - c) Sunken Installations: Provide access panel in floor or in ceiling below.
6. Drain/waste pipe stub must be located in wall or floor to match location of drain, waste and overflow kit tee fitting. Provide a 6" (150) x 12" (300) box-out in sub-floor or slab.
7. When fittings (spout, handles, valves, etc.) are to be mounted on the unit, be certain that the hot and cold water copper supply lines are located where there is ample room for mounting before setting the unit in place.
8. Bathtub must be installed indoors only. Do not install outdoors or warranty will be voided.

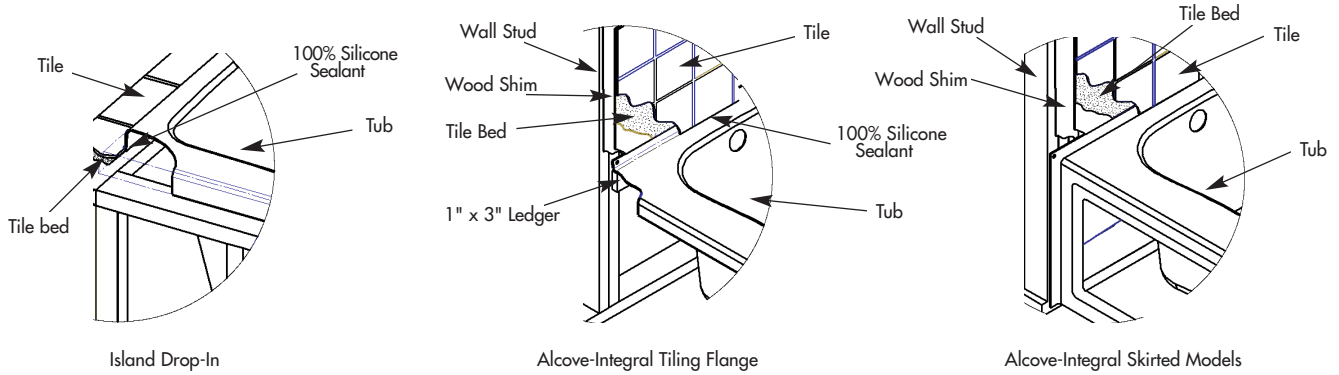
**WARNING** – When using electrical products, basic precautions should always be followed, including the following:

- a) **DANGER** - Risk of Electrical Shock. Connect only a separate circuit protected by a Ground-Fault Circuit-Interrupter (GFCI).
- b) **Connection** - Electrical hook-up must be performed by a licensed electrician in accordance with local, state and national electrical codes.
- c) **Access Panel Required** - For build-in custom units, provide an access panel for servicing electrical components. [See **FRAMING DIAGRAMS** on page 11.]

# INSTALLATION INSTRUCTIONS

## FRAMING DIAGRAMS

1. Protect interior of tub throughout installation process.
2. Framing and supports will vary according to the model and type of installation selected.
3. Please refer back to the unit's Technical Data sheet for specific dimensions located at [www.aquaticbath.com](http://www.aquaticbath.com).



	RECTANGULAR MODELS	CORNER MODELS	OVAL MODELS
ALCOVES			
ISLANDS			
INTEGRALLY SKIRTED MODELS			

**LEGEND**

- AW Overall Width
- DH Deck Height
- ID Inner Depth
- IW Inner Width
- LH Ledger Height
- LD Ledger Depth

- A - 6" x 12" Box-outs
- B - Levelled Supports
- 1" x 3" Ledgers
- C - 16" x 16" minimum access on pump end

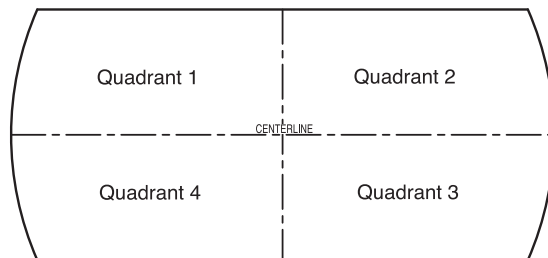
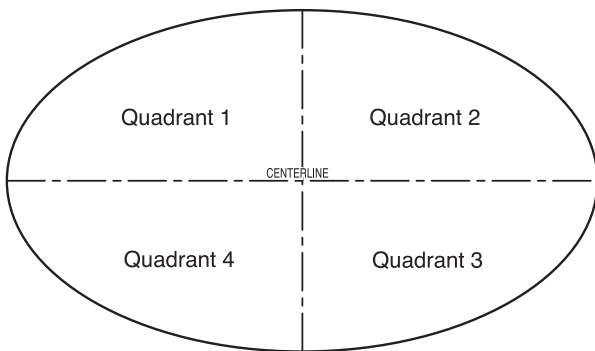
# INSTALLATION INSTRUCTIONS

## DECK CUTOUTS

A paper template will be enclosed with all rounded-edged models. Use the directions on the paper template for cutout dimensions. **If the paper template has been lost or needs replacement, please contact Customer Service at: 800.945.2726.**

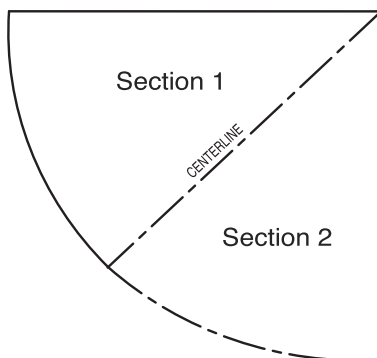
### USING THE CUTOUT TEMPLATE

Draw a center line horizontally and vertically on a 1" thick plywood deck. Place the template in the upper left hand quadrant, noted as Quadrant 1 on the diagram below. Trace template to outline Quadrant 1. Flip the paper cutout horizontally, making sure to match the dotted center line on the template with the center line on the plywood. Trace again to outline Quadrant 2. Repeat until the remaining quadrants of the cutout have been traced.



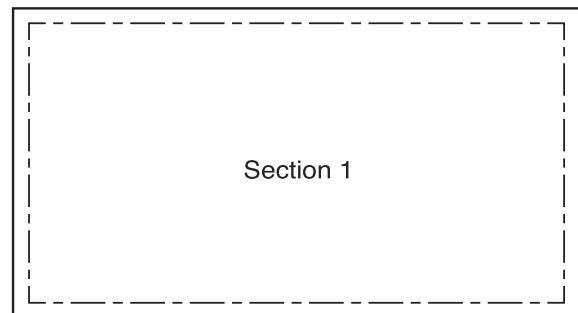
### CORNER MODELS

On a 1" thick plywood deck, place the template in the upper section noted as Section 1 in the diagram. Trace Section 1 to establish the centerline and front edge of the cutout. Flip the template along the centerline and trace to complete the other half of the unit noted as Section 2 in the diagram below.



### RECTANGLE MODELS

Using a 1" thick plywood deck, the cutout should be 2" smaller than the overall tub dimensions (length & width), for 1" overhangs on all sides. For example, a 72" x 42" unit should have a deck cutout of 70" x 40". Additional dimensions can be found in the technical data sheets at [www.aquaticbath.com](http://www.aquaticbath.com).



# INSTALLATION INSTRUCTIONS

**WARNING** - When using electrical products, basic precautions should always be followed, including the following:

**DANGER - RISK OF ELECTRIC SHOCK.** Connect only to a circuit protected by a Ground-Fault Circuit-Interrupter (GFCI).

(For built-in and custom units.) Install to permit access for servicing.

1. Install outlet(s) as shown. The outlet must be a minimum of 6" above the floor and be accessible through the access panel. [See **ELECTRICAL CONNECTIONS** on pages 14-15.]
2. Place the bath in the location for installation. Check that the bath is level (length and width). A carpenter's level is recommended. If necessary, place shims under support legs. Make measurements for framework construction. Remove bath from location.
3. Construct framework.
  - Ensure that construction and construction materials comply with applicable code requirements for the installation site.
  - All framing must be square, level and designed to provide structural support.
  - Do not allow tub rim to support any of the bath weight.
4. An access panel, 16" x 16" minimum, must be provided to allow access to the pump, electrical connections, and other accessories.
5. Lift unit by the rim and place in alcove of framework. If necessary, shim feet until unit just rests on leveled edges or framework. Secure the unit by fastening the bottom feet to the subfloor with any construction adhesive.
6. The rim of the bath is not designed to support weight. If finished material is to overlap or contact the bath, the added weight must be fully self-supporting.
7. Most (not all) Aquatic integrally skirted whirlpools have color matching removable panels for alcove and corner installations. All integrally skirted units **MUST BE INSTALLED BEFORE** the finished floor and wall materials are installed.

**To remove skirt panel:** Simply pry loose at the top corners and pull outward (away from frame).

**To reinstall skirt panel:** Simply set panel in frame (bottom side first) and push forward. Lightly depress the tabs on the top of the panel while pushing forward until the panel snaps into its frame.



# INSTALLATION INSTRUCTIONS

## ELECTRICAL CONNECTIONS

### READ AND FOLLOW ALL INSTRUCTIONS

All local state and national electrical codes must be observed by a licensed electrician in connecting power to the Aquatic whirlpool.

### Important Safety Instructions

**WARNING** - When using electrical products, basic precautions should always be observed, including the following:

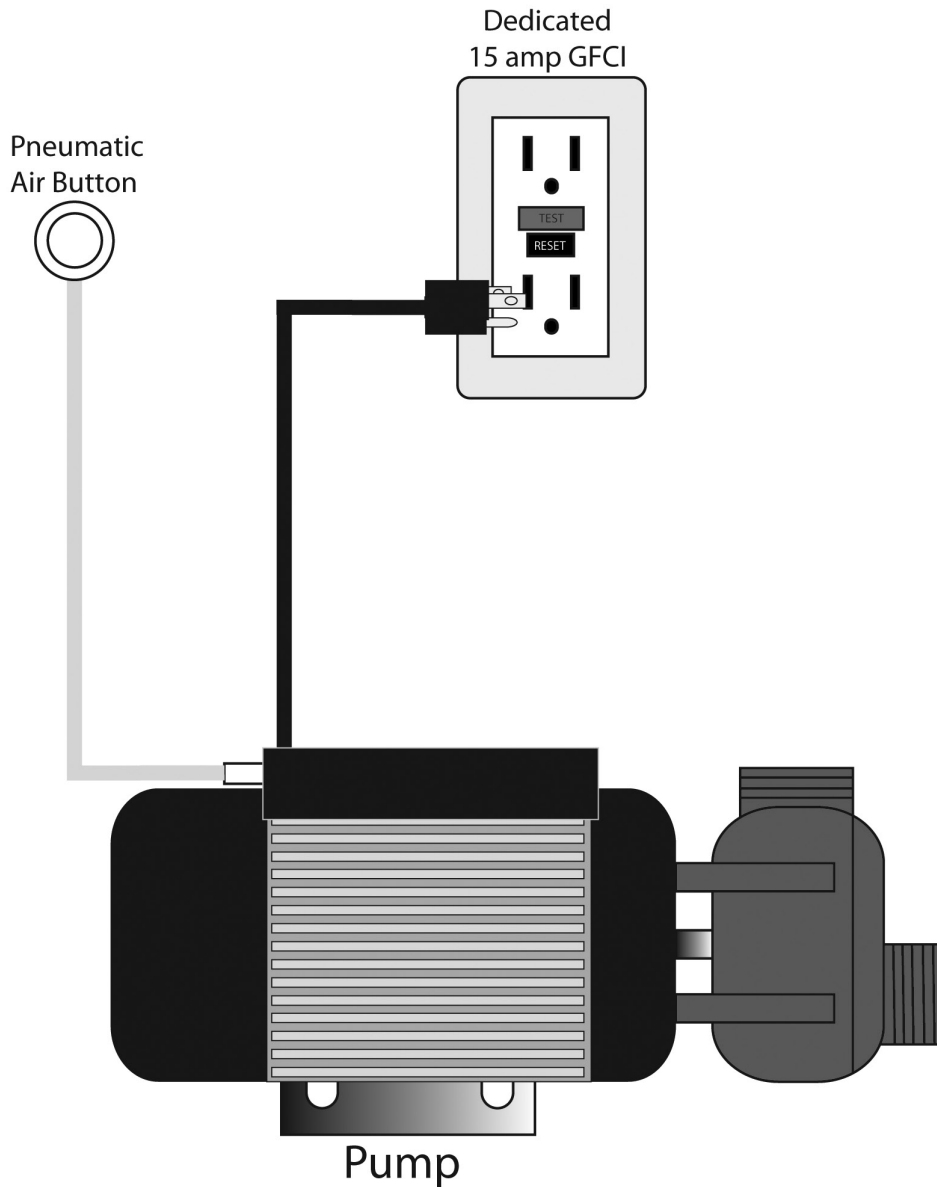
1. **READ AND FOLLOW ALL INSTRUCTIONS.**
2. **Circuit** - A separate circuit (not to supply any other electrical devices) is required as follows: Each electronic component (pump and heater) must be connected to a separate 120 VAC 15 AMP circuit.
3. **GFCI** - A Ground-Fault Circuit Interrupter (GFCI) must be installed in the circuits which bring power to the whirlpool; do not omit. To test the GFCI, push the test button. The GFCI should interrupt power. Push the reset button. Power should be restored. If the GFCI fails to operate in this manner, there is a ground current flowing, indicating the possibility of an electric shock. Do not use this unit. Disconnect the unit and have the problem corrected by a licensed electrician before using.
4. **Grounding** - Motors have a three prong electrical plug. A ground should be run from J-box receptacle to electrical house panel per code.
5. **Bonding** - A pressure wire connector is provided on the exterior of some motors and heaters (optional) within this unit to permit connection of a No. 8 AWG solid copper bonding conductor between all electrical equipment, as needed to comply with local requirements. Double plastic insulated motors have no pressure wire connector as it is not needed.
6. **Wall Switch** - A remote wall switch is required by many state codes. It must not be within 5 ft (1.5m) reach of a bather while standing in the tub and it must be mounted at a height to be out of the reach of small children. Not further than 10 ft (3.0m) away. Verify this requirement with your local State and/or Municipality.
7. **Integral On/Off Switch** - For an Aquatic whirlpool supplied with a motor that has an integral on/off switch - Make certain the air tube that is connected to the motor is also connected to the on/off button nipple under the deck in order for the system to function.

# INSTALLATION INSTRUCTIONS

## ELECTRICAL CONNECTIONS

### AcrylX™ Whirlpool Bath Component Breakdown

Electrical Requirements: 120VAC, 15 Amp GFCI outlet



# INSTALLATION INSTRUCTIONS

## FINAL SYSTEM TEST & CLEAN-UP

### System Test

To test system, follow these steps in order listed:

1. Fill clean tub with water to a point no less than 3" (75) above the highest jet.
2. To test the Ground-Fault Circuit-Interrupter (GFCI), push the test button. The GFCI should interrupt power. Push the reset button. Power should be resorted. If the GFCI fails to operate in this manner, there is a ground current flowing, indicating the possibility of an electric shock. Do not use this unit. Disconnect the unit and have the problem corrected by a licensed electrician before using.
3. Turn on integral on/off switch.
4. Push on/off button on the whirlpool.
5. Allow system to run a full 10 minutes.
6. Through access door or removable skirt, check for leaks in whirlpool plumbing system. Make sure half-unions at both ends of pump are hand-tight. If leakage is occurring at any other points, notify distributor.
7. If any electrical malfunctions occur, immediately unplug the unit and consult a licensed electrician. Malfunctions of the pump/motor, whirlpool controls or the circulating system should be reported to the distributor who supplied the whirlpool tub.

### Clean-up

1. Remove all construction residue and foreign materials. Wipe unit clean with a damp rag, otherwise staining may occur.
2. Plaster may be removed by scraping with the edge of a piece of wood or rigid plastic. DO NOT use metal scraper. For spots left by plaster or grout: rub lightly with a liquid detergent (Spic-N-Span®\* or similar) on a damp cloth or sponge.
3. **DO NOT** use abrasive cleaners, scouring powders, steel wool, wire brushes or anything else that may harm or dull the surface.
4. Dulled areas can be restored to a high gloss with white or cream-colored automotive rubbing compound, followed by application of carnauba wax or white or cream automotive paste wax and buffing.
5. Remove minor scratches with 600 grit wet/dry sandpaper, followed by Step #4 (above).
6. Major gouges require professional repair. Contact Aquatic to arrange factory-authorized repair services.

\*Note: See page 19 for trademark information.



# OPERATION INSTRUCTIONS

## YOUR WHIRLPOOL BATHTUB — WHAT IT IS AND HOW IT WORKS.

Your whirlpool bathtub is a large, extra deep bathtub with a built-in circulating system that mixes the bath water with air and pumps the mixture back into the bathtub creating the hydromassage action. Because it is a bathtub it must be drained after each use.

The circulating system mixes air and water and must never be operated unless the bathtub is filled as described below.

## BEFORE YOUR FIRST USE

The professionals who installed your whirlpool bathtub received detailed installation procedures, some of which you need to know about before filling and operating your bathtub for the first time.

1. **Make sure bathtub is clean** - If there are any residues or foreign materials left from construction, clean the bathtub thoroughly. Use only the methods and materials described in the section entitled **MAINTENANCE AND CARE** on page 18.
2. **Fill bathtub above jets** - For your first "test run," fill the bathtub until the water is at least 3" (75) above the highest jet. Never operate the whirlpool unless water is at least this high.
3. **Optional remote power switch** - A separate switch on your bathroom wall may control power to the whirlpool bathtub. For your safety, it should not be within reach of a person standing in the bathtub and it should be high enough to be out of reach of small children. Please refer to and abide by all state and local plumbing and electrical codes.

**Starting the whirlpool system:** If installed, set remote power switch to ON.

1. **On/off button** - Models, so equipped, will have a button mounted on the bathtub. Pushing the button forces a column of air to a control which turns the pump motor on or off.
2. **Ground-Fault Circuit-Interrupter (GFCI)** - Test the GFCI as described in the section **INSTRUCTIONS PERTAINING TO A RISK OF FIRE, ELECTRIC SHOCK, OR INJURY TO PERSONS** on page 6. This extra safety device is mounted either at the remote power switch or in your home's electrical panel. Push the test button. The GFCI should interrupt power. Push the reset button. Power should be restored. If the GFCI fails to operate in this manner, there is a ground current flowing, indicating the possibility that a lethal electric shock can occur. Do not use this product until the problem is corrected by a licensed electrician.
3. **Directional jet nozzles** - You can adjust the jets position to concentrate the whirlpool action against a specific part of the body.

# MAINTENANCE AND CARE

## TUB CARE

- Ground-Fault Circuit Interrupter (GFCI): This device must be tested on a routine basis. [See **INSTRUCTIONS PERTAINING TO A RISK OF FIRE, ELECTRIC SHOCK, OR INJURY TO PERSONS** on page 6.]

### Cleaning Your Whirlpool Bathtub

**IMPORTANT:** Use only the recommended cleaners and procedures described in this section. Use of other materials and methods may harm your whirlpool and will **VOID THE WARRANTY**.

Failure to perform periodic maintenance procedures may cause problems and may harm the bathtub, the circulating system and pump, and will **VOID THE WARRANTY**.

- **Monthly Purge:** The whirlpool system must be purged at least once a month.

To remove accumulations of bath residue from the whirlpool system, we recommend that you purge it at least once a month, or more depending upon usage. To do this, follow this simple procedure:

1. Fill the bath with hot water (not exceeding 140°F).
2. Add to the hot water, 4-6 tablespoons of low foaming detergent such as liquid Cascade®\* and 24-48 oz. of liquid household bleach. (Do not use splashless bleach, use lesser amounts shown for 5-foot bathtubs, greater amounts for larger bathtubs.)
3. Run the whirlpool for 5 to 10 minutes.
4. Drain the bath completely and refill with cold water only.
5. Run the whirlpool for 5 to 10 minutes, then drain the bath completely. Depending on the usage and/or the content of the local water supply, more frequent purging may be necessary.

If you have followed the monthly purging instructions and still have an excess accumulation of bath residue and desire an alternative cleaning mechanism, we recommend **SUPER SYSTEMS CLEAN PLUS** manufactured by Stearns Packaging Corporation to rectify this condition. This may be obtained by contacting Aquatic at (800) 945-2726. It is recommended that you follow the instructions provided by the manufacturer with the product. Repeated use may be necessary. **SUPER SYSTEMS CLEAN PLUS** does not replace necessity to purge your whirlpool system at least monthly with a low foaming detergent and bleach.

\*Note: See page 18 for trademark information.

## Cleaning Procedures

The surface of your whirlpool bathtub will retain its color and gloss indefinitely with normal use, but many bathroom cleaning agents can harm it. Read and follow the cleaning and maintenance instructions in this manual.

- To keep your Aquatic unit sparkling clean: Apply a coat of good quality automotive paste wax and buff to a high shine with a soft cloth or bath towel. Repeat every six months for easier cleaning and long lasting protection.  
**NOTE:** Do not wax textured standing/walking surfaces.
- For normal cleaning, any non-abrasive liquid cleaner off the shelf may be used. Be sure to read the label and follow the cleanser's recommendations. Do not use harsh abrasives as they will harm and dull the finish of your unit. Instead, use warm water and liquid detergents, especially those bathroom cleaners recommended for cleaning fiberglass surfaces, such as Mr. Clean®\* All-Purpose, Lysol®\* Bathroom, chlorine bleach, Easy-Off®\* Mildew stain remover, or Liquid Spic-N-Span®\* and the like.
- For more difficult stains on your anti-skid floor, a paste should be made of a cleanser such as Comet®\*, Spic-N-Span®\*, etc. and spread out onto the floor. Allow the paste to sit for 5-10 minutes and then gently scrub with a soft-bristled brush. To prevent scratches, the brush should be no rougher than the texture of a toothbrush.
- For hard water stains, calcium deposits, limescale or difficult soap scum after repeated attempts with the above suggestions, you may try Lime-Away®\* or white vinegar for removal of calcium or lime deposits. For soap scum, general black grime or algae, chlorine bleach may be used with moderate scrubbing. In both instances the unit should be rinsed carefully with cold water. Scrubbing is never recommended as it could damage the finish on your floor. Always rinse off all remaining paste.
- To restore a scratched or dull unit: Use an automotive polishing compound applied with a clean cotton rag. Rub scratches and dull areas vigorously. Wipe off residues. Follow with automotive wax treatment described above.
- To remove adhesive: Try 3-M™\* Natural Cleaner, or rubbing alcohol and rub vigorously until the adhesive dissolves and disappears. These solvents are highly flammable and must be used sparingly and with caution. Do not smoke or permit others to do so. Make sure all nearby heating devices (including pilot lights) are extinguished. Do not allow solvent to go down the drain. Make sure not to contact plastic drain grates or other synthetic materials.

**CAUTION:** When using any cleaning or polishing materials, make sure to read and follow all package instructions carefully. Wear rubber gloves at all times and avoid contact with eyes, skin, clothing, rugs and furnishings. Make sure all residues are rinsed off thoroughly.

**Rubber mats:** If you use a rubber or plastic "anti-skid" mat, make sure to remove it from the unit after each shower to avoid harm to the surface finish.

**Hard Water:** Water in certain areas, if not wiped up after bathing/showering, may cause fading of some bath fixture colors. This is a natural occurrence beyond Aquatic's control. [See **AQUATIC LIMITED WARRANTY** on page 25.]

\*Note: 3-M is a trademark of 3M.  
Cascade and Mr. Clean are registered trademarks of Proctor & Gamble.  
Lime-Away, Lysol and Easy-Off are registered trademarks of Reckitt Benckiser, Inc.  
Spic-N-Span and Comet are registered trademarks of Prestige Brands.

# WATER QUALITY

## CHEMICAL & WATER QUALITY

Owners of fill and drain whirlpool bathtubs need to know basic information concerning water quality, how it affects the performance and enjoyment of the operation of their tubs, and steps that can be taken by the owner to correct related problems. Important issues are the microbiological and chemical quality of the water.

### 1. Microbiological Quality

Microbes are present in water supplied by individual wells or water systems and even in the air around us. These microbes are usually in amounts below what is noticeable. Microbes from the water or air or from a bather's body may settle on wet surfaces such as bathtub surface or piping system where they can grow in numbers. With regards to whirlpool bathtubs, brown/black fungi/mold or pigmented (colored) bacteria can be noted.

**Fungi/Mold** - Fungi and mold are always present. Usually the levels are such that we don't notice them. When moisture and temperature are sufficient, the organisms will grow to levels that we may smell and/or see. The best examples of such growth is the very common black growth on the bottom of shower curtains. The best solution to keep these surfaces free from fungi/mold growth is frequent cleaning.

**Pigmented Bacteria** - A pinkish substance may appear on bathroom fixtures that is very persistent, appearing in the shower, sink and along the water line of toilet bowls. The residue is less likely a problem associated with water quality than with naturally occurring airborne bacteria. The bacteria may produce a pinkish film, and sometimes a dark gray film, on surfaces that are regularly moist, including toilet bowls, shower heads, sink drains, and tiles. The problem is more common in humid areas of the country. In any particular case, the determination of the exact species of bacteria causing the problem would require lengthy and costly laboratory testing; however, most experts believe the bacteria responsible is *Serratia Marcescens*. These bacteria thrive on moisture, dust and phosphates, and are widely distributed in soil, food and also in animals. The best solution to keep these surfaces free from the bacterial film is continual cleaning. A chlorine containing compound is the best cleaner. Avoid abrasives to limit scratching fixtures, which will make them even more susceptible to bacteria.

### 2. Chemical Quality

The water supplied by individual wells or water systems always contains chemicals, usually in amounts below those which the consumer would notice. Examples of such chemicals, which are of potential concern for the owners of whirlpool bathtubs, are calcium and magnesium salts, copper, iron, manganese and sulfates. When these chemicals are present in sufficient amounts, they may cause problems in whirlpool bathtubs. You should contact your water supply or treatment company and follow their suggestions for treatment.

**Calcium and Magnesium Salts** - Collectively, the various compounds of calcium and/or magnesium are referred to as salts. Calcium and magnesium salts are often found in ground water supplies and cause "hardness" in water. Hard and soft water are relative terms. Hard water retards the cleaning action of soaps and detergents, causing expense in the form of extra work and cleaning agents. When hard water is heated, it will deposit a hard scale. With regard to whirlpool bathtubs, high calcium and/or magnesium levels may result in the formation of white stains and scale formation on the inside of the tubs, especially noticeable with colored tubs. If this occurs, you need to contact the water supplier to determine the calcium and/or magnesium content and/or corrosion potential of the water and follow their suggestions for treatment. If your water supply is generated from a well, you need to contact a water treatment company to test your water and suggest solutions if a problem is present.

# WATER QUALITY

**Iron** - Iron is found in many natural waters especially from wells. Iron in water can also result from the corrosion of piping in the water supply system, such as cast iron mains or galvanized steel service lines, or galvanized piping in the home water system. High iron levels may result in the formation of brown stains in the vicinity of the faucet outlets of various fixtures in the home. With whirlpool bathtubs, the staining may be particularly pronounced because the aeration action can oxidize iron to a form that settles out on the inside of the tubs, especially noticeable with white tubs. If high iron in the water is present, you can also notice rust colored deposits inside your toilet tank or dishwasher. If this occurs, you need to contact the water supplier to determine the iron content and/or corrosion potential of the water and follow their suggestions for treatment. If your water supply is generated from a well you need to contact the water treatment company to test your water and suggest solutions if a problem is present.

**Manganese** - Manganese is found in many natural waters especially from wells. High manganese levels may result in the formation of small black particles that can stain laundry, especially noticeable with whites such as sheets or towels. With whirlpool bathtubs, the formation of small black particles may be particularly pronounced because the aeration action in the tub can oxidize manganese to an insoluble form that is especially noticeable with white tubs. If high manganese in the water is present, you may also notice black stains on white laundry. If this occurs, you need to contact the water supplier to determine the manganese content of the water and follow their suggestions for treatment. If your water supply is generated from a well, you need to contact a water treatment company to test your water and suggest solutions if a problem is present.

### 3. Treatment

If you have contacted your water supplier and followed their instructions and you are still having problems, you need to increase the frequency of cleaning with low-foaming detergent/bleach starting from monthly purging down to using it every other day as required to eliminate your particular problem. The use of certain bath oils, bubble bath soaps and bath additives may increase the level of accumulations of bath residue in the whirlpool system. More frequent cleaning may be necessary if these products are used in the whirlpool tub. If excess accumulations persist, you should discontinue the use of these products. If you have followed the monthly purging instructions and still have an excess accumulation of bath residue and desire an alternative cleaning mechanism, we recommend **SUPER SYSTEMS CLEAN PLUS** manufactured by Stearns Packaging Corporation to rectify this condition. This may be obtained by contacting Aquatic at (800) 945-2726. It is recommended that you follow the instructions provided by the manufacturer with the product. Repeated use may be necessary. **SUPER SYSTEMS CLEAN PLUS** does not replace the necessity to purge your whirlpool system at least once a month with a low foaming detergent and bleach.

# TROUBLESHOOTING GUIDE

**WARNING:** Always turn off power at the main electrical service panel when servicing your whirlpool.

SYMPTOMS	POSSIBLE PROBLEMS	SUGGESTED SOLUTIONS
Pump does not start:	<ol style="list-style-type: none"> <li>1) GFCI or circuit breaker in OFF position.</li> <li>2) Fuses blown or thermal overload open.</li> <li>3) Locked motor shaft.</li> <li>4) Motor windings burned out.</li> <li>5) Defective starting switch inside single-phase motor.</li> <li>6) Disconnected or defective wiring.</li> <li>7) Low voltage.</li> </ol>	<ol style="list-style-type: none"> <li>1) Reset GFCI.</li> <li>2) Contact your electrician.</li> <li>3) Contact Aquatic.</li> <li>4) Contact Aquatic.</li> <li>5) Contact Aquatic.</li> <li>6) Check and reconnect if needed.</li> <li>7) Contact your electrician.</li> </ol>
Motor does not reach full speed:	<ol style="list-style-type: none"> <li>1) Low voltage.</li> <li>2) Motor windings connected for wrong voltage.</li> <li>3) Wiring too small.</li> <li>4) Suction or discharge line partly plugged.</li> <li>5) Impeller clogged.</li> </ol>	<ol style="list-style-type: none"> <li>1) Contact your electrician.</li> <li>2) Contact Aquatic.</li> <li>3) Contact your electrician.</li> <li>4) Clean and unplug.</li> <li>5) Clean and unplug.</li> </ol>
Pump runs, water not circulating:	<ol style="list-style-type: none"> <li>1) Leakage of air into suction system.</li> <li>2) Faulty suction line check valve.</li> <li>3) Suction screen may be clogged.</li>   <li>4) Impeller may be clogged.</li> </ol>	<ol style="list-style-type: none"> <li>1) Check suction screen for clogs.</li> <li>2) Contact Aquatic.</li> <li>3) Replace suction screen before operating. While motor is off, unscrew safety suction cover and remove any accumulated debris. If necessary, call a plumber to check the suction line. If problem persists, notify Warranty Services at (800) 945-2726 to arrange a repair service call.</li> <li>4) Contact Aquatic.</li> </ol>
Noisy pump and motor:	<ol style="list-style-type: none"> <li>1) Worn motor bearings.</li> <li>2) Pumps touching a stationary object.</li> <li>3) Suction line partly plugged.</li> <li>4) Pump not supported properly.</li> </ol>	<ol style="list-style-type: none"> <li>1) Contact Aquatic.</li> <li>2) Refer to installer/dealer.</li> <li>3) Clean and unplug.</li> <li>4) Contact Aquatic.</li> </ol>
Leakage of water at shaft:	<ol style="list-style-type: none"> <li>1) Shaft seal requires replacement.</li> </ol>	<ol style="list-style-type: none"> <li>1) Contact Aquatic.</li> </ol>
Leaking unions:	<ol style="list-style-type: none"> <li>1) O-ring missing or damaged.</li> <li>2) Loose unions.</li> </ol>	<ol style="list-style-type: none"> <li>1) Contact Aquatic.</li> <li>2) Tighten unions.</li> </ol>
Vibration noise:	<ol style="list-style-type: none"> <li>1) Tub or tub plumbing is touching tile/wall.</li> <li>2) Pump is touching framing.</li> </ol>	<ol style="list-style-type: none"> <li>1) Refer to installer/dealer.</li> <li>2) Refer to installer/dealer.</li> </ol>
Whirlpool jets emit water outside of bathtub:	<ol style="list-style-type: none"> <li>1) Insufficient water in bathtub.</li> </ol>	<ol style="list-style-type: none"> <li>1) Ensure water level is at least 3" above the highest whirlpool jet.</li> </ol>
Water leakage:		<ol style="list-style-type: none"> <li>1) Call a plumber to determine and correct source of leak. If plumber determines that whirlpool system is at fault, notify Aquatic Technical Services at (800) 928-3707 to arrange a repair service call.</li> </ol>
Motor overheats (protector trips):	<ol style="list-style-type: none"> <li>1) Low voltage.</li> <li>2) Motor windings connected for wrong voltage.</li> <li>3) Wiring too small.</li> <li>4) Suction or discharge line partly plugged.</li> <li>5) Pump running at reduced speed.</li> <li>6) Impeller clogged.</li> <li>7) Pump located in a small space.</li> </ol>	<ol style="list-style-type: none"> <li>1) Contact your electrician.</li> <li>2) Contact Aquatic.</li> <li>3) Contact your electrician.</li> <li>4) Clean and unplug.</li> <li>5) Reference "SYMPTOMS: Motor does not reach full speed."</li> <li>6) Clean and unplug.</li> <li>7) Ensure pump has adequate ventilation and no objects are blocking air flow.</li> </ol>
Pump does not shut off manually:	<ol style="list-style-type: none"> <li>1) Defective on/off button.</li> <li>2) Disconnected air hose.</li> </ol>	<ol style="list-style-type: none"> <li>1) Shut off circuit breaker. Contact Aquatic.</li> <li>2) Shut off circuit breaker. Contact Aquatic.</li> </ol>
Circuit breaker trips repeatedly:	<ol style="list-style-type: none"> <li>1) Defective breaker.</li> <li>2) Short circuit between bath and breaker box.</li> <li>3) Other items are connected to the same circuit.</li> </ol>	<ol style="list-style-type: none"> <li>1) Contact electrician.</li> <li>2) Contact electrician.</li> <li>3) Contact electrician.</li> </ol>

## REPLACEMENT PARTS LIST

DESCRIPTION	PART NUMBER
V JET BODY	8190VJTB
L JET BODY	8424100FTG
WALL FITTING	8190WFTG
JET TRIM	8424ESCXX
BUTTON; AIR ON/OFF	8115BUTTNXX
BODY; AIR BUTTON	8115BODY
TUBE; 1/8" AIR	8110TUBE
3/4"X 3/4"X 3/4" SB TEE	8413180FTG
FTG; 90 DEG 1/2" SPG X 3/8" BARB ADP	8425022FTG
3/8" SB X 1" SPG ADP	8425107FTG
A/C ELBOW 1/2" LOW PRO	1078
SUCTION; LOW PRO	1126XX
TEE; BULLHEAD 1"X1"X1.5"	810250FTG
FTG; 1" CHECK VALVE	8441FTG
PUMP/MOTOR; 75HP	8078MOTOR
2 PORT MANIFOLD	8499FTG
MANIFOLD PLUG	8502FTG
3/8" FLEXIBLE PVC TUBING	1092
1.5" PUMP UNION	8150UNION
1/2" POP CHECK VALVE; SLIP	8010CVALVE
OPTIONAL IN-LINE HEATER (WHIRLPOOL ONLY)	8095HEATER

\*To indicate color, replace "XX" with "WH" for White or "BI" for Biscuit.



## REPLACEMENT PARTS ORDER FORM FOR ACRYLX™ WHIRLPOOL BATH

### How To Use:

1. Find your part number on the list referenced on page 23 and make note of its number & letter.
2. Using number and letter, choose part number and select color (or finish) on Parts List provided on page 23.
3. Fill out the form below with the selected information. Fax or send to Aquatic.
4. Call Aquatic at (800) 945-2726 for parts pricing and shipping charges.

**IMPORTANT:** The following information **MUST** accompany your order:  
Serial Number, Model Number/Name, Purchase Date and Color

PLEASE FILL OUT COMPLETELY:

-----  
**SHIP TO:**

Name \_\_\_\_\_  
Company \_\_\_\_\_  
Address \_\_\_\_\_  
City \_\_\_\_\_ State \_\_\_\_\_ Zip \_\_\_\_\_  
Phone \_\_\_\_\_ Fax \_\_\_\_\_

**BILL TO:**

Name \_\_\_\_\_  
Company \_\_\_\_\_  
Address \_\_\_\_\_  
City \_\_\_\_\_ State \_\_\_\_\_ Zip \_\_\_\_\_  
Phone \_\_\_\_\_ Fax \_\_\_\_\_

Serial # \_\_\_\_\_ Model Name \_\_\_\_\_

Model # \_\_\_\_\_ Color \_\_\_\_\_ Purchase Date \_\_\_\_\_

Quantity	Part No.	Description	Color/Finish	Price
_____	_____	_____	_____	_____
_____	_____	_____	_____	_____
_____	_____	_____	_____	_____
_____	_____	_____	_____	_____
_____	_____	_____	_____	_____

**Mail orders to:**

AQUATIC  
ATTN: Replacement Parts  
1521 No. Cooper, Suite 500 • Arlington, TX 76011







# AcrylX™ with the Strength of ArmorCore™ Lifetime Warranty

[American Bath Group] warrants to the original purchaser and consumer that its products will be free from defects in material or workmanship when properly installed pursuant to [American Bath Group] installation instructions for the following warranty periods:

## Lifetime Warranty

- (1) AcrylX™, Residential\* Use
- (2) CenturyStone™, Residential\* Use

## Thirty (30) Year Warranty

- (1) AcrylX™, Commercial\* Use
- (2) CenturyStone™, Commercial\* Use

Upon inspection by an authorized representative, [American Bath Group] will repair or exchange at its sole discretion, any unit found to be defective in material or workmanship. The exchange of a unit will only be considered when [American Bath Group] has eliminated all options to restore the unit to acceptable factory condition. Exchange of a unit is limited to supplying replacement product of comparable size and style, and does not include any cost of removal or installation.

## EXCEPTIONS

This warranty shall be voided if the unit is moved from its place of initial installation or is not installed in accordance with the instructions supplied by the manufacturer of the unit. [American Bath Group] will not be held responsible for any damages resulting from improper installation.

Further, this warranty does not apply if the unit has been subjected to accident, abuse, misuse, damage caused by flood, fire, or other force of nature.

Any unauthorized repair or modification to the product would render the warranty null and void.

This warranty does not apply to any equipment or accessories not installed by [American Bath Group] and [American Bath Group] will not be held liable for any results of such acts.

[American Bath Group] is not responsible for any consequential or incidental mishaps, inconvenience, time loss, incidental expense, materials or labor related to the installation of hardware or the actual tub.

The owner agrees by use of the unit that the obligations of [American Bath Group] shall not extend to contingent or indirect damage or injury to the structure of its contents, that the obligations of [American Bath Group] are limited to those set forth herein, and that no other obligations, expressed or implied, are assumed by [American Bath Group].

The product is not recommended for outside storage.

To obtain warranty service, the Customer must give prompt notice to [American Bath Group] of any claim.

Within this document [American Bath Group] refers to all divisions/brands and/or entities which are solely owned by American Bath Group Inc.

\*Residential Use is considered any unit installed in a permanent residence dwelling of individual ownership, such as but not limited to single family home, multi-family home, or condominium. Commercial Use is considered transient lodging, such as but not limited to healthcare facility, dormitory, hotel, or apartment complex.





AQUATIC

The bath people

Aquatic Customer Service: 800.945.2726

[www.aquaticbath.com](http://www.aquaticbath.com)

8MANFRP 07.18