

6036DMIN – EVERYDAY BATHS

60 x 36 x 19 inches

SOAKER MODEL #6036DMIN

WHIRLPOOL MODEL #6036DMINWP



FEATURES

- Island bath
- Deep bathing well
- Ergonomic backrest
- Slip-resistant textured bottom
- Universal drain
- AcrylX™ applied acrylic surface
- Lifetime limited warranty

Whirlpool Features:

- 6 directional hydrotherapy jets
- Available in White and Biscuit/Linen only
- Color matched trim
- Pneumatic on/off control
- Advanced safety suction system

OPTIONS

- Designer drain, waste & overflow

AQUATIC ADVANTAGE

- National distribution
- 7 manufacturing facilities
- Private fleet
- Centralized customer service
- Field support

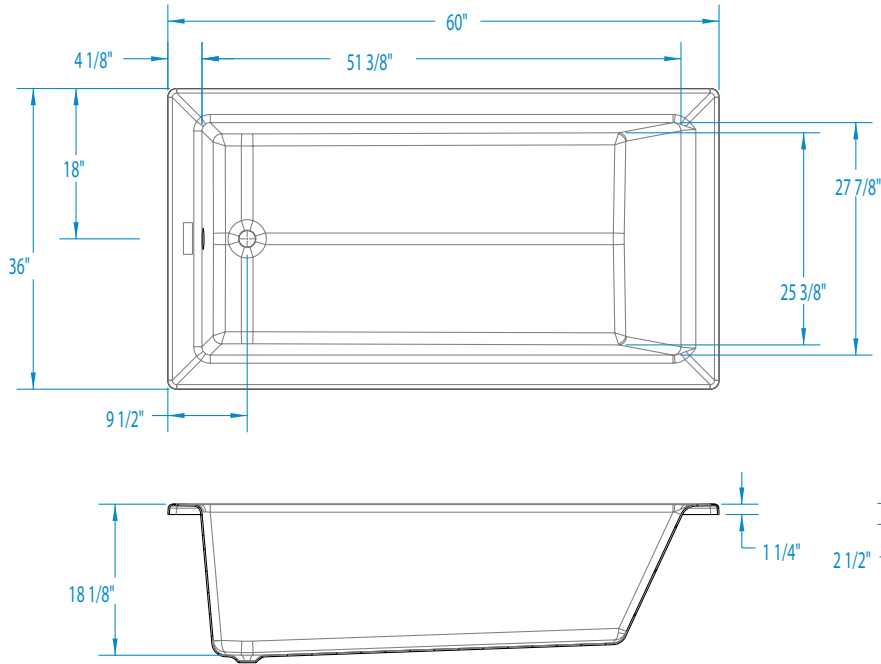
COLOR OPTIONS

Stock	Upgraded	Premium
White	Almond Biscuit/Linen Bone	Black Mexican Sand Sand Bar Sterling Silver



6036DMIN

60 x 36 x 19
inches



FEATURES lbs Dimensional Tolerance $\pm \frac{3}{16}$ ". Dimensions needed for site preparation should be measured from the unit. Aquatic assumes no responsibility for preparatory work.

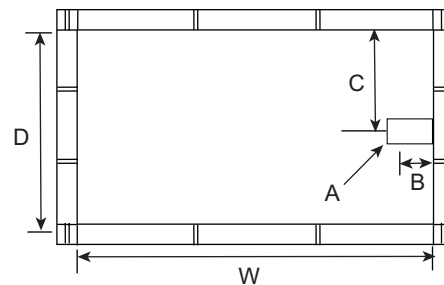
Model #	Material	Jets	Motor	Controls	Drain	Net Wt.	Pkg. Wt.
Soaker #6036DMIN	AcrylX™	0	–	–	Universal	49	54
Whirlpool #6036DMINWP	AcrylX™	6	63 GPM	Pneumatic	Universal	89	94

DIMENSIONS

Specifications	inches
Width: Overall / Net	60
Depth: Overall / Net	36 / 36
Height: Overall / Net	19
Enclosure Opening	–
Skirt Height	
Drain Rough-In (from Back Wall)	17
Drain Rough-In (from Side Wall)	2
Drain: Diameter / Clearance	2 / N/A

FRAMING DIMENSIONS inches

Type	D Depth	W Width	H Height	A	B	C
Island (Drop-In)	34	58	17 ¾	Box Out	2	17



SUMP DATA

Top of Drain to Bottom of Overflow	Capacity to Overflow gal	Min. Operating Capacity gal	WIDTH @ centerline		DEPTH @ centerline	
			Top	Bottom	Top	Bottom
14 ½	70	44	51 ¾	43	27 ⅞	25 ⅞