

CYRUS 6636CF

66 x 36 x 23 inches

BUILDERS' CHOICE
ACRYLX™ FREESTANDING



FEATURES ~

- 2-piece freestanding bathtub
- Transitional oval design
- 2-person bathing
- Faucet can be deck-mounted or floor-mounted
- Above-the-Floor Rough (AFR)
- Available F² Drain option allows quick drain connection and perfect alignment for easy installation
- AcrylX™ applied acrylic surface
- Available in White only
- Lifetime limited warranty



CYRUS 6636CF

66 x 36 x 23

BASE MODEL	PKG. WT. LBS.	DRAIN	MODEL #	MSLP
<input type="checkbox"/> Soaker	106	Center Front	W3AX6636FT0	\$2,072



OPTIONS (x = insert desired option code)	ENTER DESIRED OPTION CODE	MSLP
PVC F2 Drain kit for freestanding bathtub installation: (F2PV)	_____	\$133
ABS F2 Drain kit for freestanding bathtub installation: (F2AB)	_____	\$133
Builders' Choice freestanding waste & overflow: Chrome (FDD1CH)	_____	\$55
Builders' Choice freestanding waste & overflow: Brushed Nickel (FDD1BN)	_____	\$82
Cable operated waste & overflow (FDD2xx): Chrome (CH), Brushed Nickel (BN), White (WH)	_____	\$160
Brass flexible waste & overflow for high-rise construction: Chrome (FDD3CH)	_____	\$244
Brass flexible waste & overflow for high-rise construction: Brushed Nickel (FDD3BN)	_____	\$288
Builders' Choice linear waste & overflow (Chrome, Brushed Nickel and Dark Bronze trim included): (OFL)	_____	\$249
Rush order program* (DELQK)	_____	\$325
Residential delivery with lift gate* (DELLG)	_____	\$454

*For program terms and conditions, see page iii.

BASE PRICE (insert MSLP of base model selected in upper table)	+ \$ _____
OPTIONS SUB TOTAL	\$ _____
ORDER TOTAL	= \$ _____

Customer Name: _____ Date: _____

Additional Information:



AQUATIC
The bath people

BUILDERS' CHOICE ACRYLX™ FREESTANDING

PRODUCT FEATURES

- Two person bath
- Transitional oval design
- Available in white only

ORDERING KEY

In the part number, "xx" means an option code must be inserted.

Cable operated waste & overflow (FDD2xx): ← part number

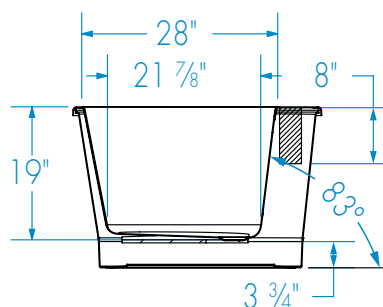
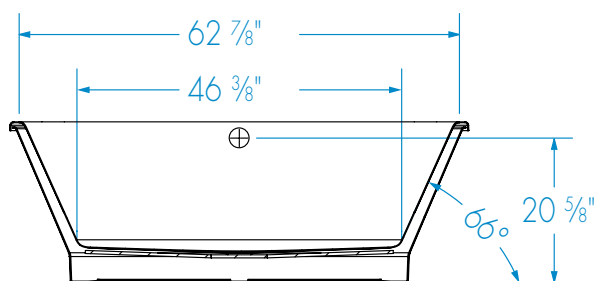
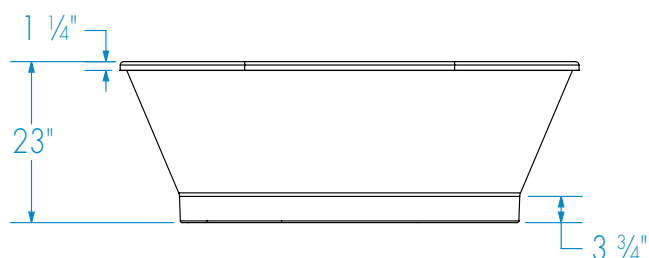
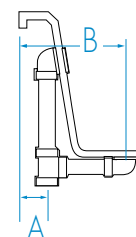
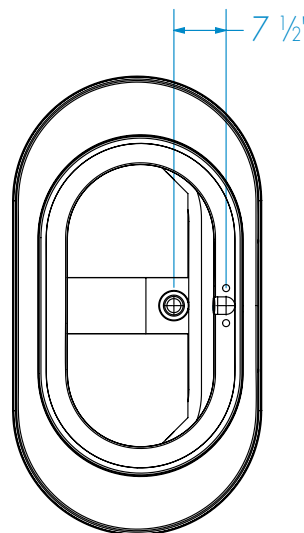
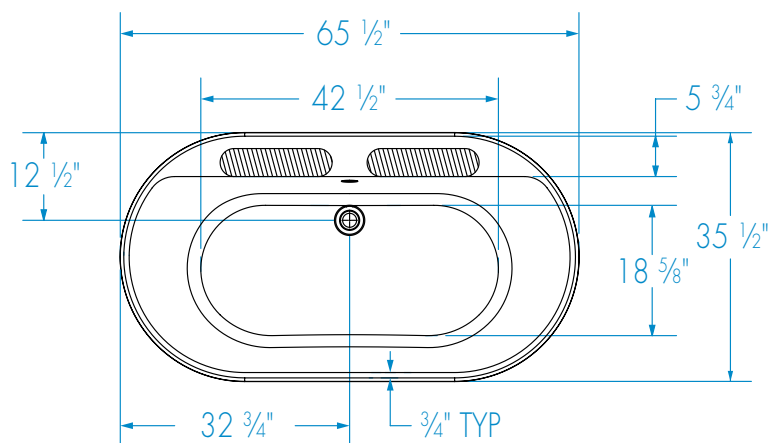
option code → Chrome (CH)


Example: FDD2xx + CH = FDD2CH
Cable operated waste & overflow in chrome

Manufacturer reserves the right to discontinue models, colors, options and trim finishes without notice.

CYRUS 6636CF

66 x 36 x 23 inches



: Recommended faucet area 2 sections of 16" (L) x 4" (W). Depth recommended for straight pipes 8".
All dimensions are approximate. Structure measurements must be verified against the unit to ensure proper fit.

FEATURES Dimensional Tolerance $\pm 3/8"$. Dimensions needed for site preparation should be measured from the unit. Manufacturer assumes no responsibility for preparatory work.

Type and Model #	Material	Drain	Pkg. Wt. lbs
Soaker #W3AX6636FTO	AcrylX™	Center Front	106

DIMENSIONS inches

Width Inches	Depth Inches	Height Inches	Skirt Height
66	36	23	-

SUMP DATA inches

Capacity to Overflow gal	Min. Operating Capacity gal	WIDTH @ centerline		DEPTH @ centerline	
		Top	Bottom	Top	Bottom
68	-	62 7/8	46 3/8	28	21 7/8

PLUMBING DIMENSIONS inches

A	B	Drain Diameter / Clearance
3 3/4	11 1/8	2 / 3 3/4