

ROUGHING IN DIMENSIONS MAY VARY AND ARE SUBJECT TO CHANGE. NO RESPONSIBILITY IS ASSUMED FOR USE OF SUPERCEDED OR VOIDED DATA.



2100 South Clearwater Drive
Des Plaines, IL 60018
Phone: 800-566-2100
Fax: 847-803-5454
www.geberitnorthamerica.com

ROUGH-IN

FITTING NO.

151.551.XX.1

BY: SID DATE: 04-29-08

SUBMITTED MODEL NO.

CHK: [Signature] REV: 12-10-09

FOR TECHNICAL ASSISTANCE
1-800-TEC-TRUE (1-800-832-8783)

SUBMITTED AS SHOWN

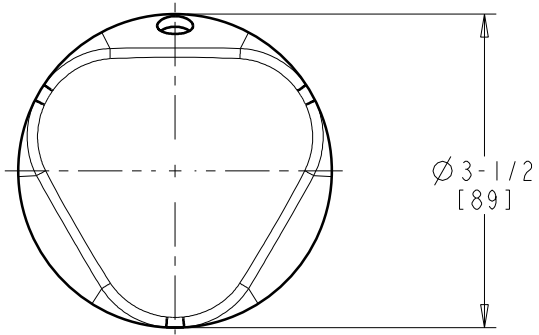
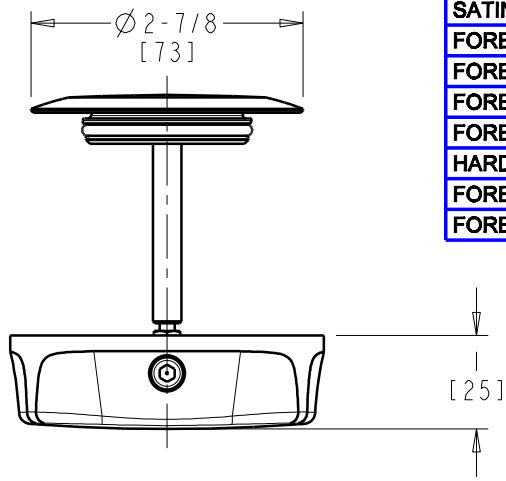
SUBMITTED AS NOTED

SEE ATTACHED FOR
SUBMITTED MODIFICATION

JOB NAME

ITEM NO.

FINISH DESCRIPTION	FINISH CODE (.XX.)
POLISHED CHROME	21
GOLD	45
ANTIQUE BRASS	97
OLD SILVER PEWTER	98
SATIN BRASS	CH
BRIGHT BRASS	CL
BLACK	EK
SATIN CHROME	FT
FOREVERSHINE™ PVD BRASS	GG
FOREVERSHINE™ PVD PEARL NICKEL	HD
FOREVERSHINE™ PVD SATIN SHEEN	HI
FOREVERSHINE™ PVD PLATINUM	HJ
HARD COAT OIL RUBBED BRONZE	HM
FOREVERSHINE™ PVD POLISHED NICKEL	IB
FOREVERSHINE™ PVD BRUSHED NICKEL	ID



DIMENSIONS ARE IN INCHES AND [MILLIMETERS].

TECHNICAL DATA

- BATH WASTE AND OVERFLOW TRIM KIT
- METAL TRADITIONAL TURN HANDLE
- METAL PLUNGER
- FINISH AS SPECIFIED