

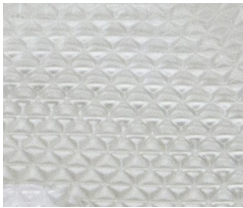
# JSG *Oceana* Cubix Undermount



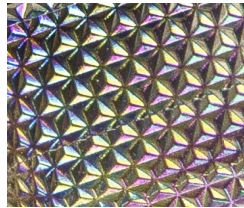
*Shown: Platinum (007-716-500)*

- Rim: Flat
- Design: Cubix Pattern
- Model: 007-716-xxx
- Drain Hole: 1 3/4"
- Basin Dimensions: 15 1/4" x 15 1/4"
- Diagonal: 21 5/8"
- Height: 5 1/2"
- Depth: 5"

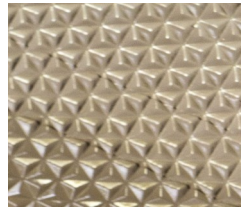
*Crystal*  
007-716-000



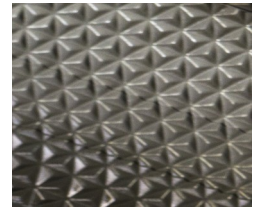
*Crystal Reflections*  
007-716-300



*Fawn*  
007-716-120



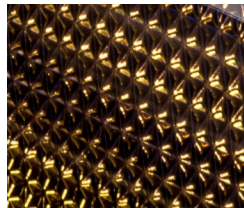
*Black Nickel*  
007-716-022



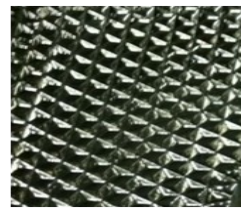
*Pearl*  
007-716-330



*Cobalt Copper*  
007-716-010



*Platinum*  
007-716-500



JSG *Oceana* Lustrous coloration samples are only representations of color. No two sinks are exactly alike.



215 North 4<sup>th</sup> Street, Jeannette, PA 15644 ph:724.523.5567 fax:724.523.0123 [www.jsgoceana.com](http://www.jsgoceana.com)

Made in the U.S.A.

# JSG Oceana Cubix Undermount

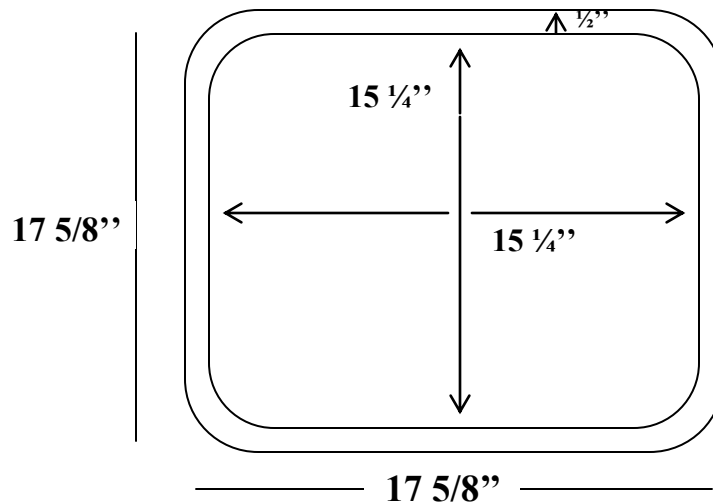
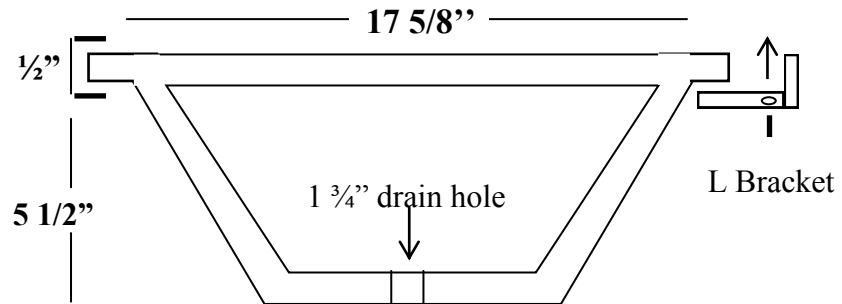
## UNDERMOUNT SINK MODEL #007-716-XXX

*Scratch Resistant • Stain Resistant • Thermal Shock Resistant • IAPMO Certified & UPC Approved*

### Product Information & Diagram

Fixture*	Weight	basin area	water depth
Sink	19 lbs.	15 1/4" x 15 1/4"	5"
Drain Hole	1 3/4"		

\*Approximate measurements for comparison only.



Top rim: 1/2"  
Underneath rim: 1"

### Undermount Installation:

1. Apply a clear epoxy/caulking to the top rim of the undermount and then hold it in place under the countertop.
2. Screw "L" brackets into countertop from underneath.

### Template included with sink:

*Templates are supplied only as a guideline. The physical use of the sink will assure an accurate cut-out.*



215 North 4<sup>th</sup> Street, Jeannette, PA 15644 ph:724.523.5567 fax:724.523.0123 www.jsgoceana.com

Made in the U.S.A.