

SHOWER  
Luna Thermostatic Shower Set  
(Rough & Trim)  
**GF4.000A-LM40S**

---

**GRAFF®**



**Information**

- Thermostatic Shower Spout Flow Rate 2.1 gpm @ 60 psi

SHOWER  
Rough  
**G-8005**

**GRAFF®**



## Information

- 18.4 gpm @ 60 psi
- 3/4" universal inlets/outlets with female threads
- Built-in service stops
- Complete serviceability from front of all units
- Supplied with protective plastic cover
- Thermostatic valve uses a paraffin wax cartridge

## Finishes



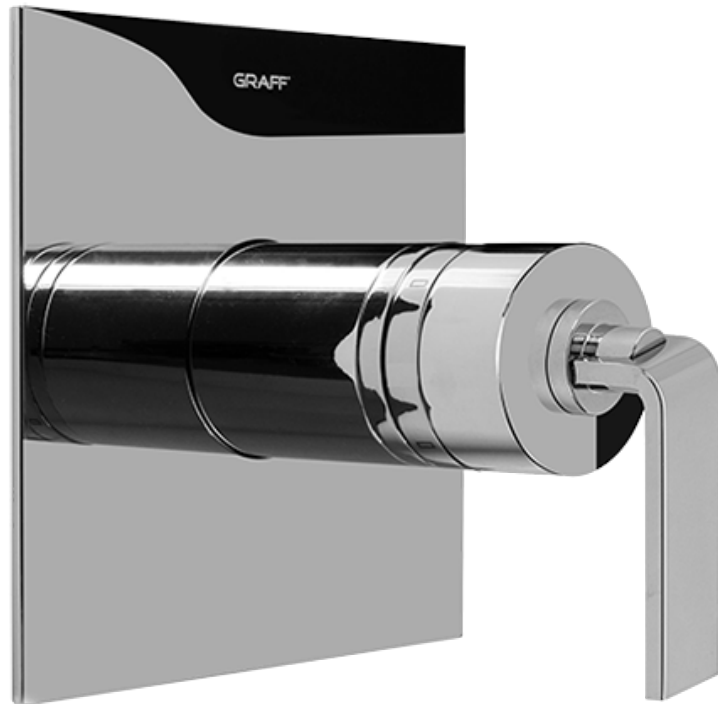
Polished  
Chrome



Steelnox®  
(Satin Nickel)

SHOWER  
Immersion SOLID Trim Plate  
w/Handle  
**G-8041-LM40S-T**

**GRAFF®**



## Information

- Single metal handle
- Decorative trim plate
- Use with G-8000 or G-8005 thermostatic rough valve
- To complete package, you must order rough valve
- ADA

## Finishes

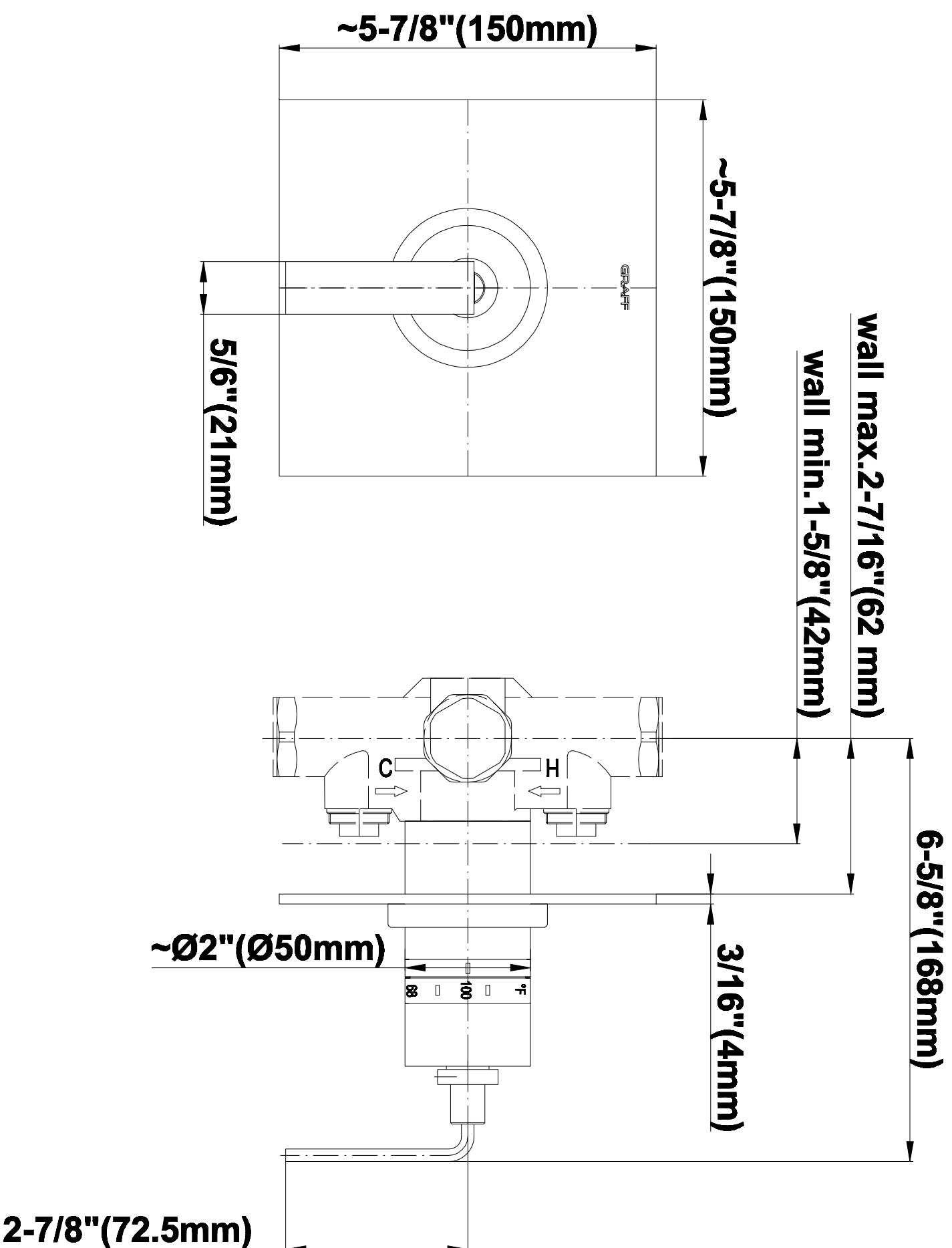


Polished  
Chrome



Steelnox®  
(Satin Nickel)

# G-8041



SHOWER  
Rough  
**G-8075**

**GRAFF®**

---



## Information

- 3/4" universal inlets/outlets with female threads
- Supplied with protective plastic cover

## Finishes



Polished  
Chrome



SteeInox®  
(Satin Nickel)

SHOWER  
Immersion SOLID Trim Plate  
w/Handle  
**G-8095-LM40S-T**

---

**GRAFF®**



### Information

- Single metal handle
- Decorative trim plate
- Use with G-8070 or G-8075 thermostatic stop/volume control rough valve
- To complete package, you must order rough valve
- ADA

### Finishes

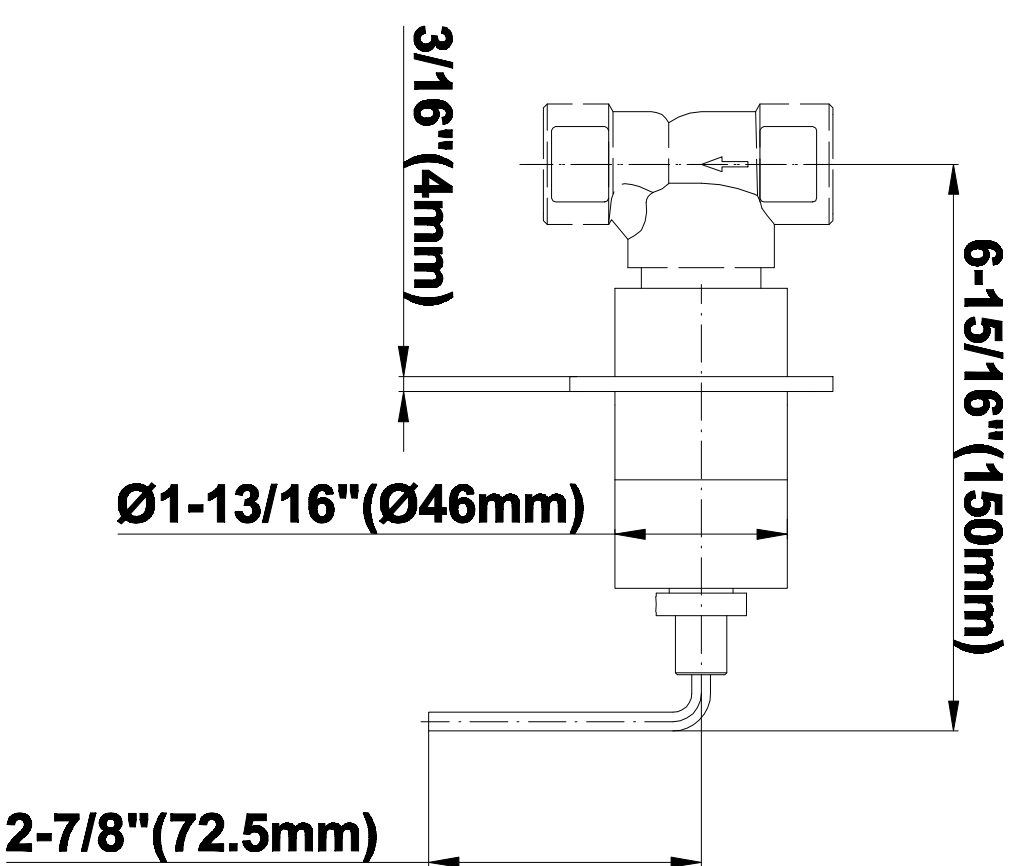
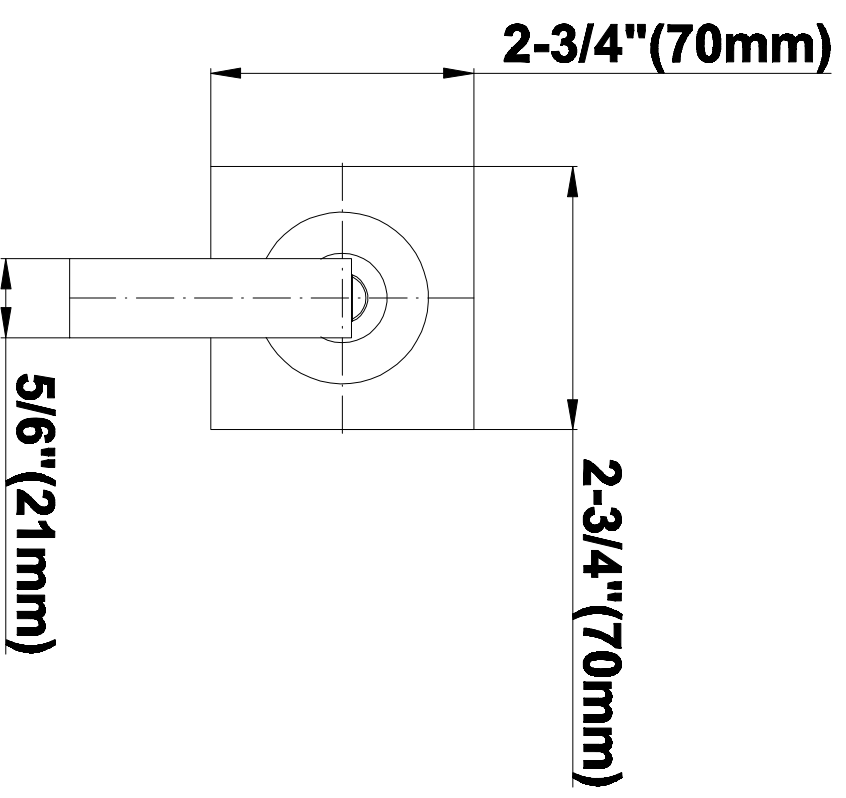


Polished  
Chrome



Steelnox®  
(Satin Nickel)

# G-8095



SHOWER  
Spout and Wall Bracket  
**G-8700-T**

---

**GRAFF®**



**Finishes**



Polished  
Chrome

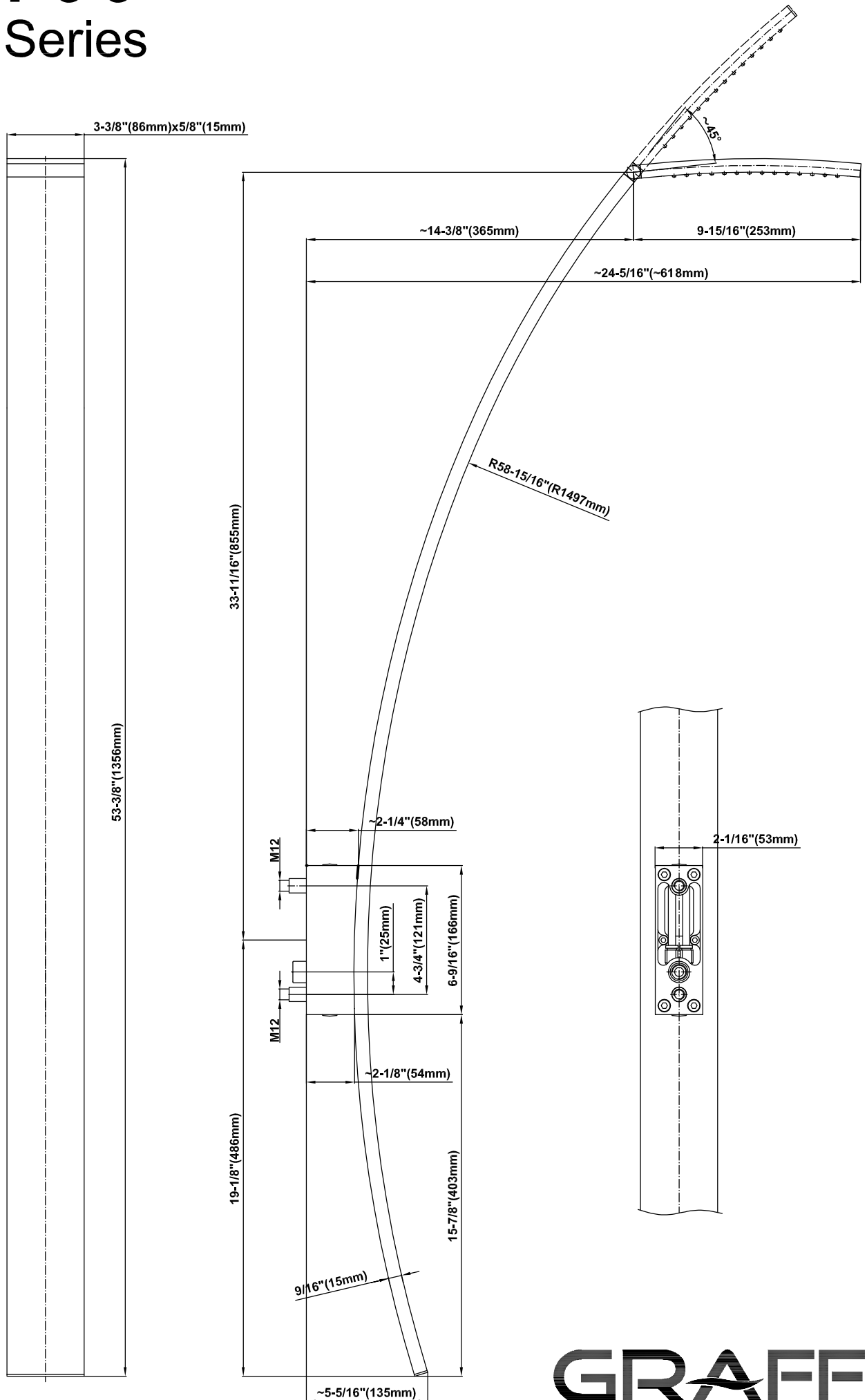


Steelnox®  
(Satin Nickel)



# G-8700

## LUNA Series



SHOWER  
Rough  
**G-8705**

**GRAFF®**

---



**Finishes**



Polished  
Chrome



Steelnox®  
(Satin Nickel)

# G-8705

