

**QUENTIN™**  
**7440.801**  
**7440.851**  
**WIDESPREAD LAVATORY FAUCET with Speed Connect® Drain**

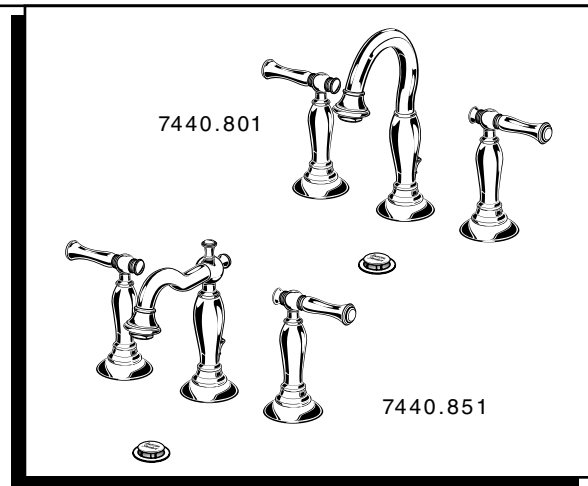
**Congratulations on purchasing your American Standard faucet with Speed Connect drain, a feature found only on American Standard faucets.**

**Speed Connect Drain \***

- Fewer parts, installs in less time
- Never needs adjustment
- Guaranteed to seal properly the first time, every time.

\*Your new American Standard faucet is designed to work only with the Speed Connect drain.

**To ensure that your installation proceeds smoothly-please read these instructions carefully before you begin.**



Certified to comply with ANSI A112.18.1

M965238 REV. 1.4 (3/15)

**Recommended tools**



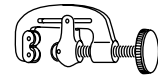
Flat Blade Screwdriver



Channel Locks



Adjustable Wrench



Tubing Cutter

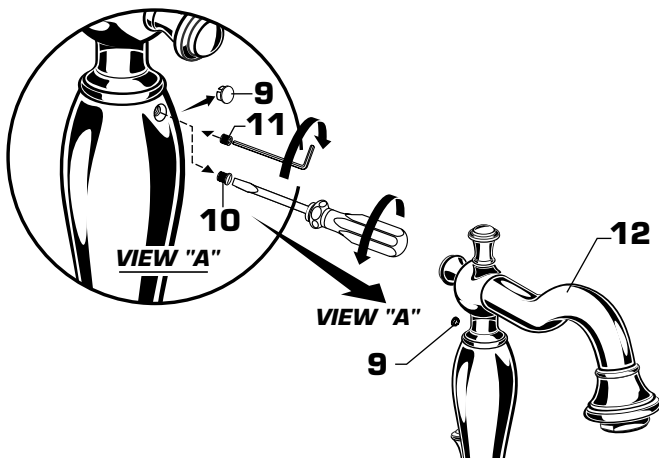
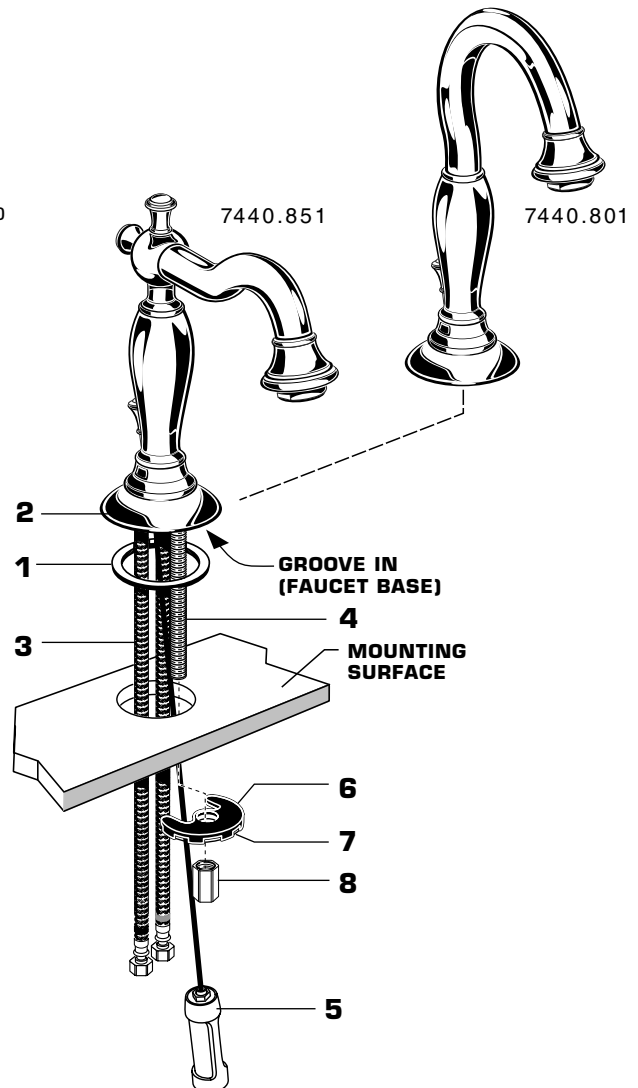
**1 INSTALL SPOUT**

**CAUTION** Turn off hot and cold water supplies before beginning.

- Seat SEAL (1) into under side of ESCUTCHEON BASE (2).
- Feed FAUCET SUPPLIES (3), MOUNTING STUD (4) and DRAIN CABLE ASSEMBLY (5) through the mounting hole of lavatory or mounting surface.
- From below, push GASKET (6) with RETAINING WASHER (7) onto MOUNTING STUD (4). Secure Faucet with MOUNTING NUT (8), pushing faucet to back of sink, so SUPPLIES (3) rests against mounting hole.
- Adjust Faucet so that it is centered. Tighten MOUNTING NUT (8) to complete faucet mounting.

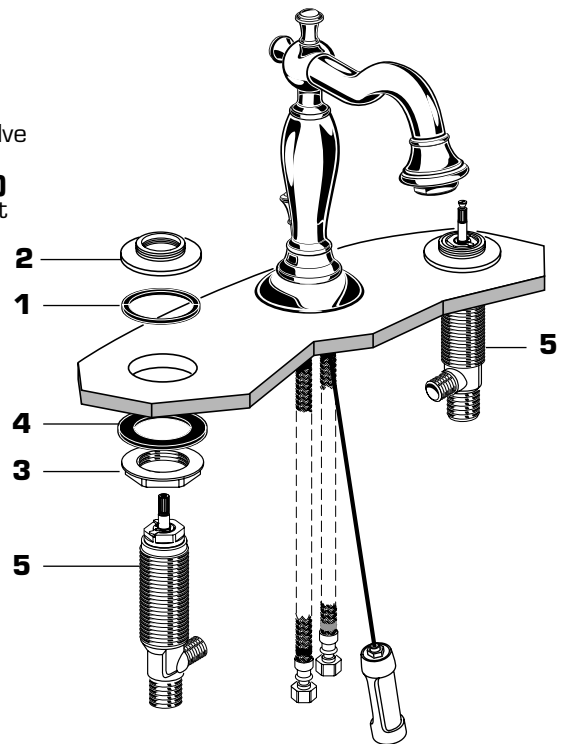
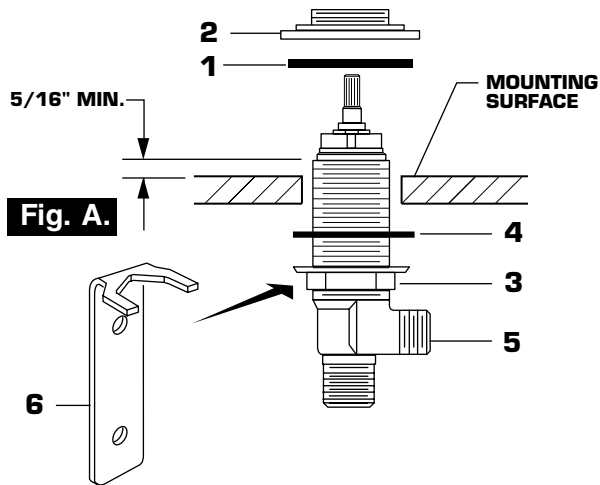
**SPOUT CAN BE FIXED OR SWIVEL. CONVERT TO A FIXED SPOUT IF DESIRED.**

- To change from swivel to fixed spout, proceed as follows:
  - Remove PLUG BUTTON (9) from back of spout. **VIEW "A"**
  - Remove SET SCREW (10) using screwdriver.
  - Install FIXING SET SCREW (11) (supplied with faucet) using Hex Wrench.
  - Align SPOUT (12) and tighten FIXING SET SCREW (11) to secure SPOUT (12). Replace PLUG BUTTON (9).



## 2 VALVE INSTALLATION

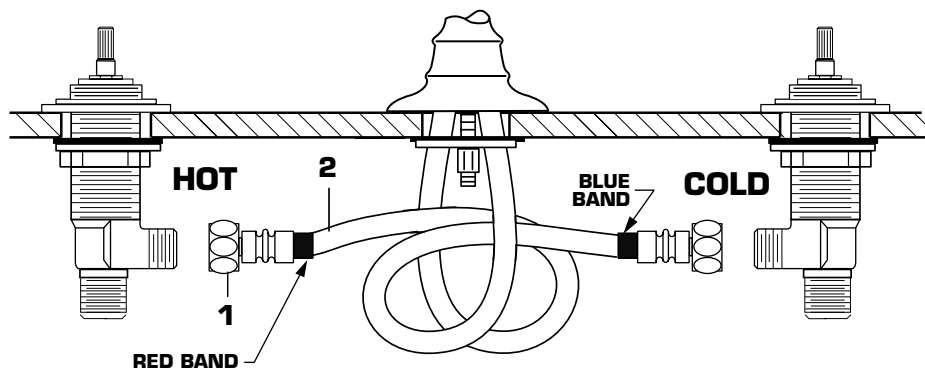
- Place RUBBER RING (1) into DECK ADAPTER (2).
- Install LOCKNUT (3) and RUBBER WASHER (4) onto VALVE BODY (5). From under side of mounting surface, install VALVE BODY (5) through valve mounting hole. Threads of VALVE BODY (5) should extend at least 5/16" of an inch above mounting surface top. **Fig. A.** Thread DECK ADAPTER (2) onto VALVE BODY (5) until snug against internal stop. If necessary, adjust LOCKNUT (3). Tighten LOCKNUT (3) with WRENCH (6) supplied.



## 3 VALVE OUTLET SUPPLY CONNECTION

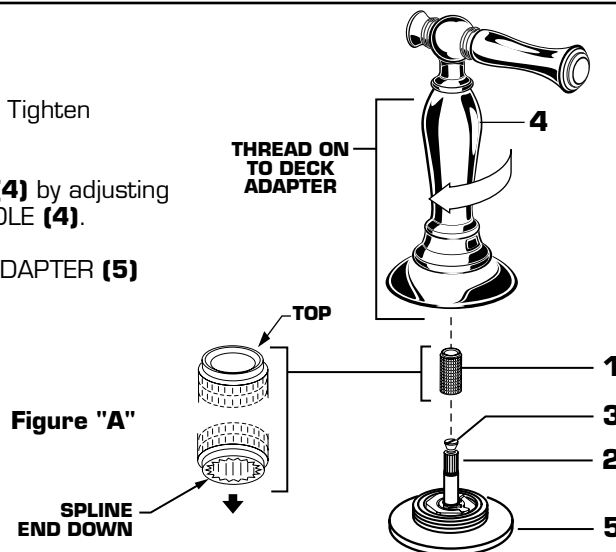
- Connect Red Banded Hose to Left Valve and Blue Banded Hose to Right Valve.
- Attach COUPLING NUTS (1) of SUPPLY HOSES (2) and tighten making water tight connections.

**Important:** Loop SUPPLY HOSES (2) as illustrated so they do not kink.



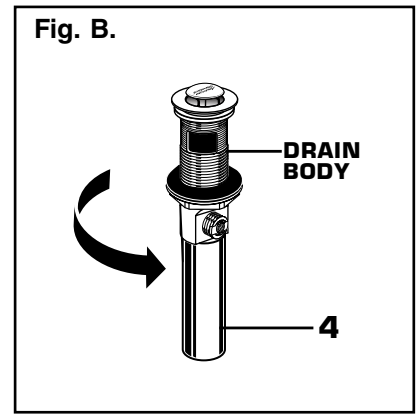
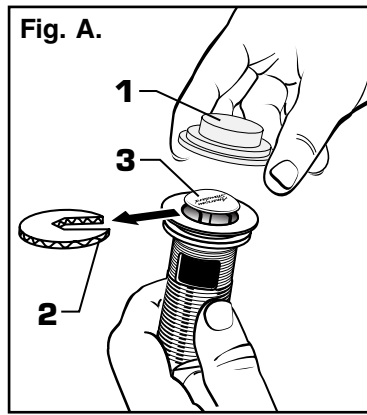
## 4 INSTALL HANDLES

- Push ADAPTER (1) on VALVE STEM (2). See **Fig. A.** Tighten STEM SCREW (3) to secure ADAPTER (1).
- Find correct position of LEVER HANDLE ASSEMBLY (4) by adjusting male teeth on ADAPTER (1) to female teeth in HANDLE (4).
- Thread LEVER HANDLE ASSEMBLY (4) onto DECK ADAPTER (5) until snug against mounting surface.



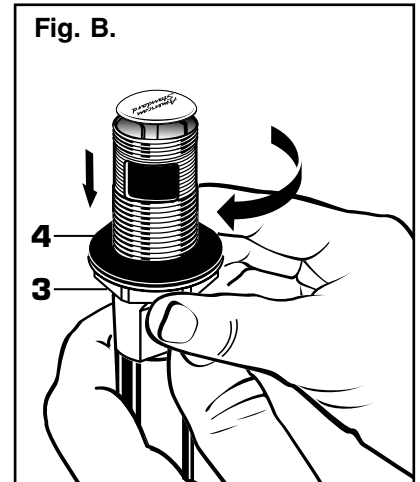
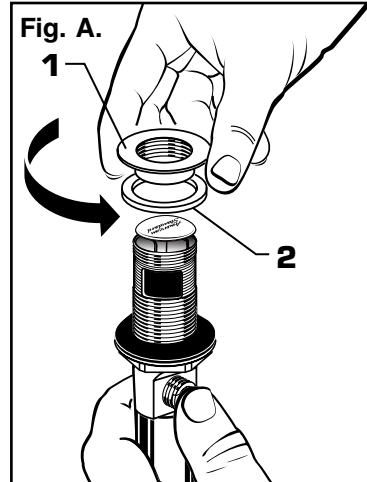
## 5 POP-UP DRAIN

- Remove CLEAR PLASTIC COVER (1).
- Remove CARDBOARD SPACER (2) from under DRAIN POP-UP (3).
- Tighten TAILPIECE (4) on DRAIN BODY before installing DRAIN BODY. Fig. B.



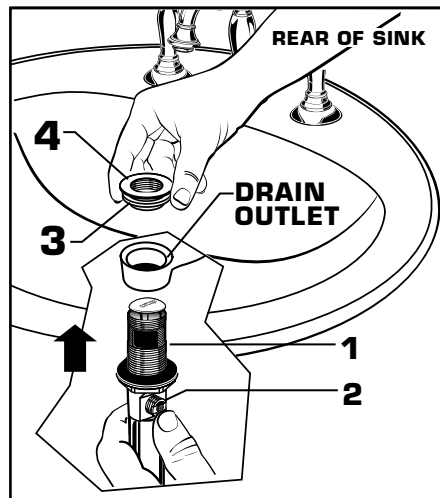
## 6 REMOVE FLANGE

- Thread FLANGE (1) counter-clockwise and remove FLANGE (1) and FOAM GASKET (2) from drain body. Fig. A.
- Thread LOCKNUT (3) clock-wise to bottom of drain body. Push GASKET (4) down against LOCKNUT (3). Fig. B.



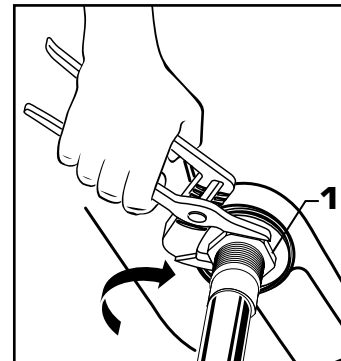
## 7 INSTALL DRAIN FROM BELOW FIXTURE

- From under side of SINK install DRAIN BODY (1) up through drain outlet.
- Note:** No plumber's putty or caulk is required. The CABLE ATTACHMENT POINT (2) must face towards the rear of the SINK.
- Install FOAM GASKET (3) and FLANGE (4) onto drain body from above SINK and tighten FLANGE (4) firmly.



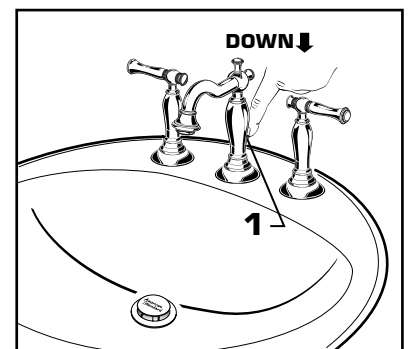
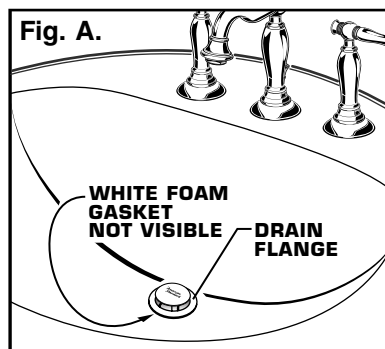
## 8 TIGHTEN LOCKNUT

- Tighten LOCKNUT (1) firmly with Adjustable Wrench or Channel Locks.



## 9 FLANGE GASKET AND POP-UP KNOB

- Check DRAIN FLANGE in SINK to ensure that WHITE FOAM GASKET (3) is fully compressed and not visible. Fig. A.
- POP-UP KNOB (1) must be fully down. Fig. B.



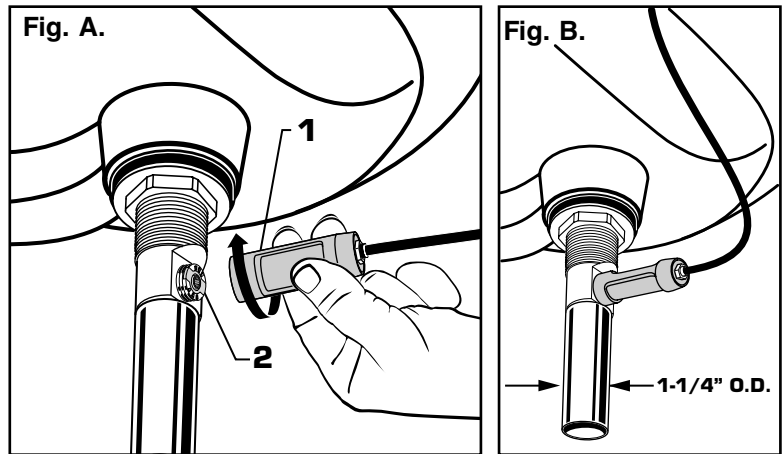
# 10

## ATTACH CABLE CONNECTOR

- Thread CABLE CONNECTOR (1) clockwise onto DRAIN BODY CONNECTION (2) and hand tighten. Fig. A.

Your new POP-UP DRAIN installation is now complete. Fig. B.

**Note:** Tailpiece on pop-up drain is 1-1/4" O.D. Fig. B.

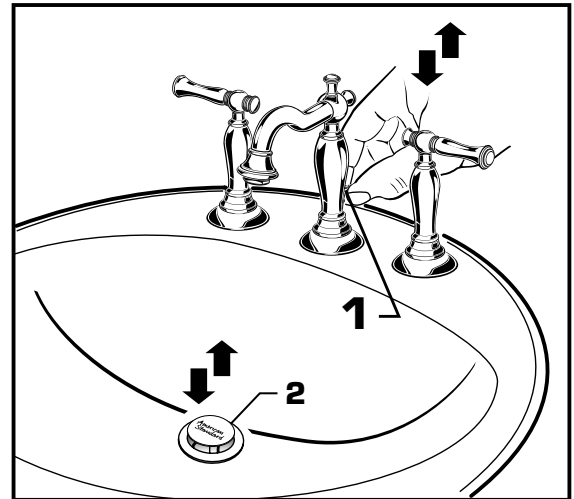


# 11

## CHECK OPERATION OF POP-UP

- Operate LIFT KNOB (1) to verify that STOPPER (2) opens and closes.

**Note:** If STOPPER (2) does not open and close properly then refer to the "troubleshooting section" of these instructions.

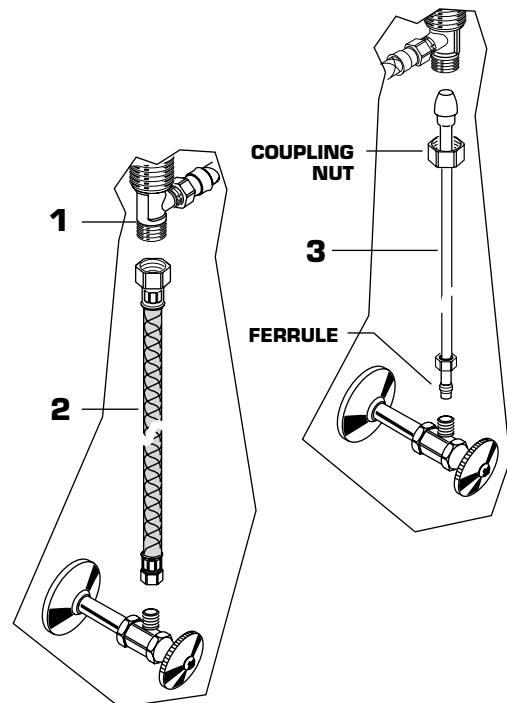


# 12

## MAKE WATER SUPPLY AND WASTE CONNECTIONS

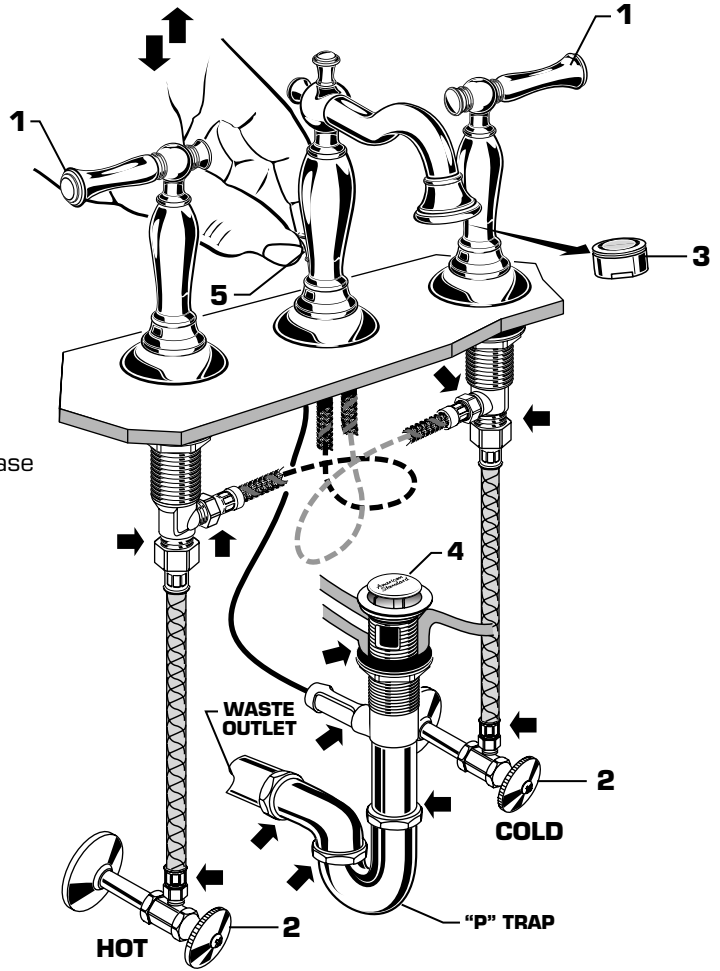
**NOTE: FLEXIBLE SUPPLIES OR BULL-NOSE RISERS MUST BE PURCHASED SEPARATELY.**

- Connect water supply to FAUCET (1) with 1/2" IPS FLEXIBLE SUPPLIES (2) or 3/8" O.D. BULL-NOSE RISERS (3). Use adjustable wrench to tighten connections.
- Do not over tighten. Be careful not to kink copper supply when bending. Use tubing cutter to cut to proper length.



## 13 TEST INSTALLED FITTING

- With HANDLES (1) in OFF position, turn on WATER SUPPLIES (2) and check all connections for leaks. ➡
- Remove AERATOR (3).
- Operate both HANDLES (1) to flush water lines thoroughly.
- Replace AERATOR (3).

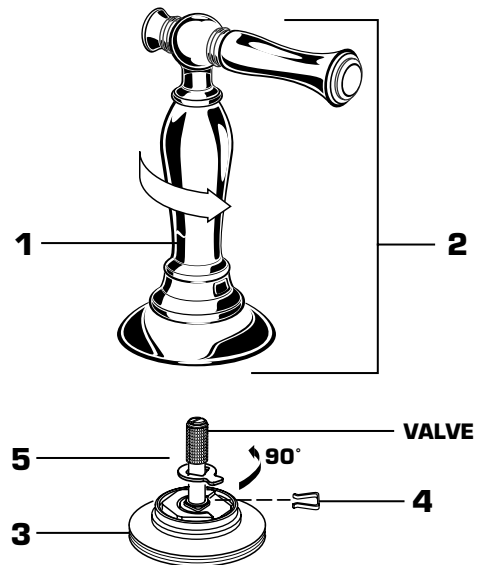


## 14 CHECK DRAIN CONNECTIONS

- Operate POP-UP KNOB (5) and fill Sink with water. Check that DRAIN STOPPER (4) makes a good seal and retains water in Sink. If STOPPER (4) does not seal properly, please refer to "Troubleshooting Guide" in these instructions.
- Release POP-UP KNOB (5) down and check all drain connections and "P" trap for leaks. ➡ Tighten if necessary.

## 15 SERVICE

- To change direction of handle rotation, proceed as follows:
  - Turn valve to OFF position.
  - Thread counter-clock wise HANDLE BASE (1) to remove HANDLE ASSEMBLY (2) from ESCUTCHEON BASE (3).
  - Use a flat blade screw driver to remove SPRING CLIP (4).
  - Lift STOP WASHER (5), turn 90° and replace.
  - Replace SPRING CLIP (4).
  - Reinstall HANDLE ASSEMBLY (2).
- If spout drips, operate handles several times from OFF to ON position. Do not force - handles turn only 90°.



## 16 CARE INSTRUCTIONS:

**DO: CLEAN WITH CLEAR WATER. DRY WITH A SOFT COTTON FLANNEL CLOTH.**

**DO NOT: DO NOT CLEAN THE PRODUCT WITH SOAPS, ACID, POLISH, ABRASIVES, HARSH CLEANERS, OR A CLOTH WITH A COARSE SURFACE.**

## Speed Connect® Drain Troubleshooting Guide

**If sink does not hold water even though Stopper is in the “down” position:**

- Follow CABLE ADJUSTMENT PROCEDURE.

**If Stopper does not raise up fully or sink drains too slowly:**

- Follow CABLE ADJUSTMENT PROCEDURE.

**If you need to remove the Stopper:**

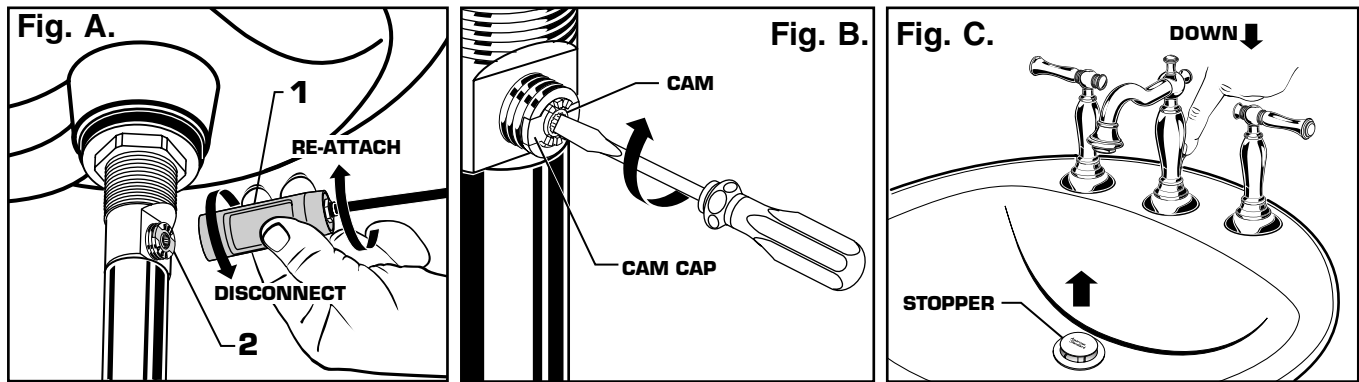
- Follow STOPPER REMOVAL PROCEDURE.

**If you would like the ability to remove your Stopper simply by lifting it out of the drain:**

- Follow STOPPER INSTALLATION PROCEDURE for “Unlocked” mode.

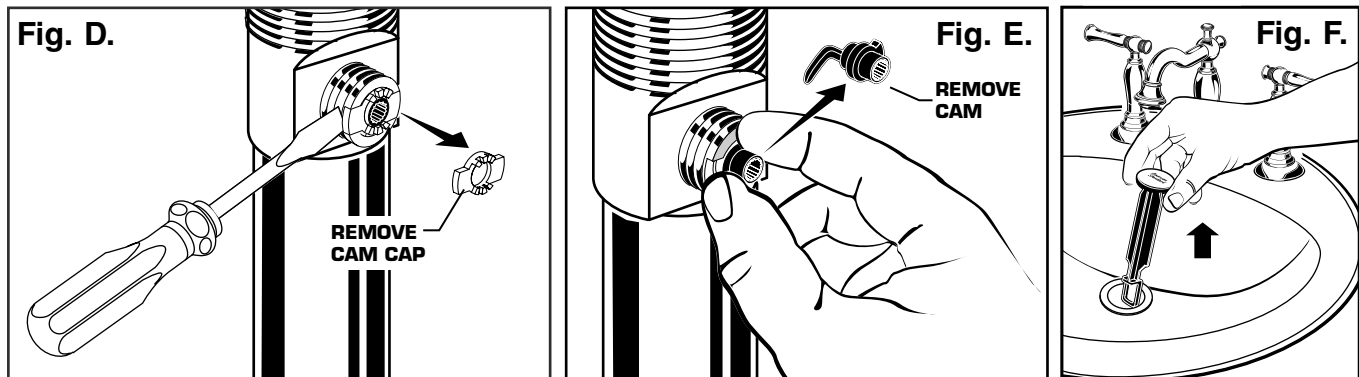
### CABLE ADJUSTMENT PROCEDURE

- Disconnect the Cable from the Drain by threading the Cable Connector **(1)** counter-clockwise. **Fig. A.**
- Look at the area on the Drain Body where the Cable was attached and locate the component labeled as “Cam” in the illustration. **Fig. B.**
- Use a small screwdriver to rotate the Cam in the clockwise direction as far as it will go. At this point the Stopper should be in the UP position. **Fig. B, C.**
- Push DOWN on the Lift-Knob to make sure it is fully down. **Fig. C.**
- Re-attach the Cable to the Drain Body Connection **(2)** by threading the Cable Connector **(1)** clockwise onto the Drain Body Connection **(2)** and hand-tighten. **Fig. A.**



### STOPPER REMOVAL PROCEDURE

- Disconnect the Cable from the Drain by threading the Cable Connector **(1)** counter-clockwise. **Fig. A.**
- Look at the area on the Drain Body where the Cable was attached and locate the component labeled as “Cam” and “Cam Cap” in the illustration. **Fig. B.**
- Use fingers or small screwdriver under either side of the Cam Cap to pry it out from the Drain. **Fig. D.**
- Remove the Cam by pulling it straight out while wiggling gently to loosen the Rubber Seal. **Fig. E.**
- The Stopper can now be removed by lifting it out of the Drain. **Fig. F.**

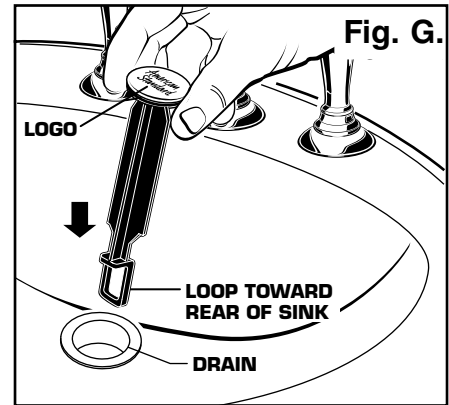


## STOPPER INSTALLATION PROCEDURE

The Stopper can be installed two ways, “Locked” Mode (Stopper cannot be removed) or “Unlock” Mode (Stopper is removable).

### Locked Mode:

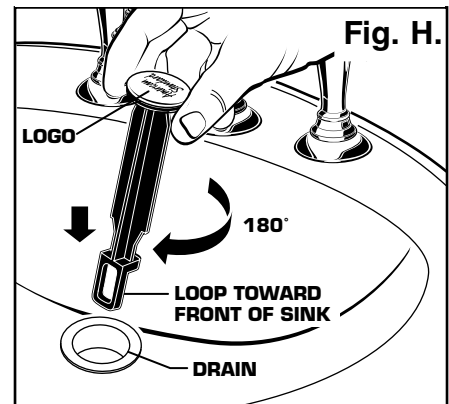
- Look at the Plastic Loop at the bottom of the Stopper and notice that the Loop is on one side of the Stopper. **Fig. G.**
- To install the stopper in “Locked” mode, insert the Stopper into the Drain so that the Plastic Loop is facing toward the rear of the Sink and the American Standard logo is facing front. Rotate Stopper slightly if necessary so that the Stopper slides all the way down. **Fig. G.**
- Re-install the Cam into the Drain, rotating the Cam if necessary to make sure it is fully inserted. **Fig. J.**
- Re-install the Cam Cap, making sure the guide teeth are facing outward. If the Cam Cap does not “snap” into place, then rotate the Cam to make sure it is fully inserted. **Fig. K.**
- Re-attach Cable. See “CABLE ADJUSTMENT PROCEDURE” in Troubleshooting Guide to complete installation. Stopper will be in “Locked” mode and not be removable.



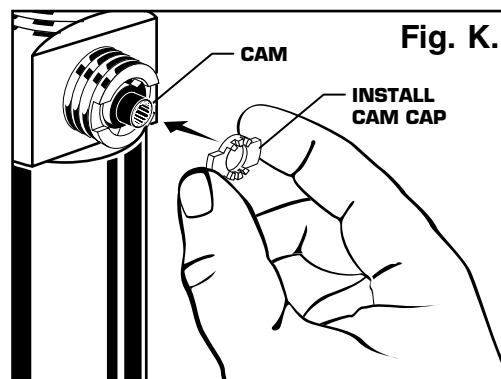
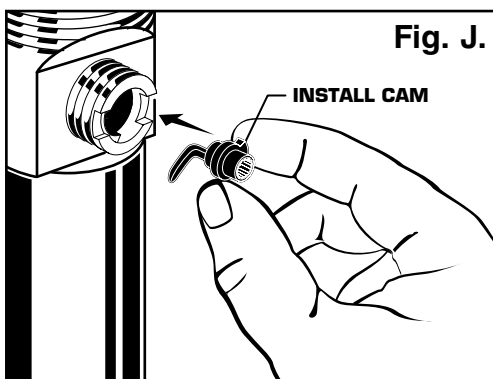
**Locked Mode  
(Vandal Proof)**

### Unlocked Mode:

- Look at the Plastic Loop at the bottom of the Stopper and notice that the Loop is on one side of the Stopper. **Fig. H.**
- To install the stopper in “Unlocked” mode, insert the Stopper into the Drain so that the Plastic Loop is facing toward the front of the Sink and the American Standard logo is facing rear. Rotate Stopper slightly if necessary so that the Stopper slides all the way down. **Fig. H.**
- Re-install the Cam into the Drain, rotating the Cam if necessary to make sure it is fully inserted. **Fig. J.**
- Re-install the Cam Cap, making sure the guide teeth are facing outward. If the Cam Cap does not “snap” into place, then rotate the Cam to make sure it is fully inserted. **Fig. K.**
- Re-attach Cable. See “CABLE ADJUSTMENT PROCEDURE” in “Troubleshooting Guide” to complete installation. Stopper will be in “Unlocked” mode and removable.



**Unlocked Mode**



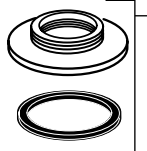
*American Standard*

**QUENTIN™**  
**WIDESPREAD**  
**LAVATORY FAUCET**  
 with Speed Connect® Drain  
**MODEL NUMBER**

**7440.801**  
**7440.851**



**M964159-YYY0A**  
HANDLE KIT



**M962619-0070A**  
DECK ADAPTER KIT

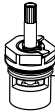
**M962412-YYY0A**  
SPOUT SCREW KIT



**918555-0070A**  
HANDLE SCREW



**918049-0070A**  
HANDLE ADAPTER



**M964156 -YYY0A**  
LIFT ROD & KNOB



**994053-0070A**  
CARTRIDGE



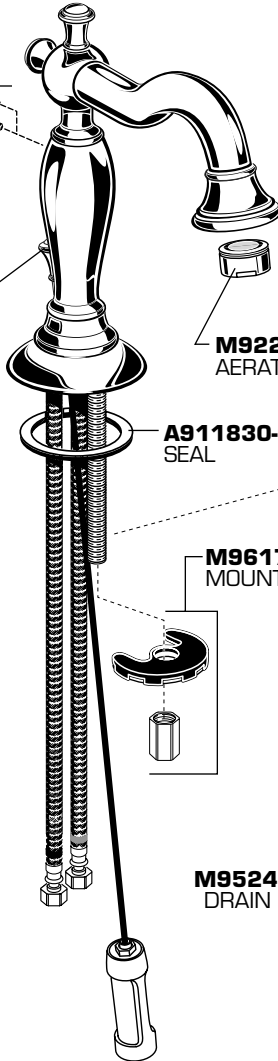
**M961634-0070A**  
VALVE MOUNTING KIT



**A904917-0070A**  
COUPLING NUT

Replace the "YYY" with appropriate finish code

CHROME	002
OIL RUBBED BRONZE	224
SATIN NICKEL	295

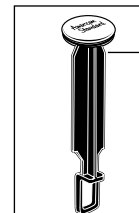
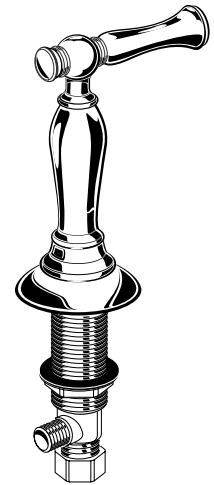
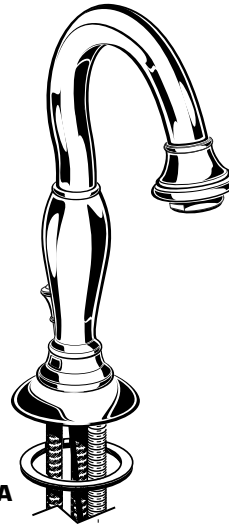


**M922894-YYY0A**  
AERATOR

**A911830-0070A**  
SEAL

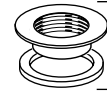
**M961714-0070A**  
MOUNTING KIT

**M952425-YYY0A**  
DRAIN ASSEMBLY

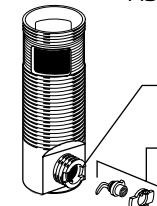


**M962544-YYY0A**  
STOPPER ASSEMBLY

**M952430-0070A**  
CABLE ASSEMBLY



**M962457-YYY0A**  
FLANGE ASSEMBLY

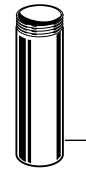


**M922872-0070A**  
CAM SEAT INSERT

**M962552-0070A**  
CAM ASSEMBLY



**M913207-0070A**  
TAILPIECE INSERT



**A919661-0020A**  
TAILPIECE



**M962458-0070A**  
DRAIN MOUNTING KIT



**M919660-0020A**  
6" TAILPIECE  
(NOT INCLUDED WITH FAUCET)



HOT LINE FOR HELP  
 For toll-free information and answers to your questions, call:  
 1 (800) 442-1902  
 Weekdays 8:00 a.m. to 6:00 p.m. EST  
 IN CANADA 1-800-387-0369 (TORONTO 1-905-306-1093)  
 Weekdays 8:00 a.m. to 7:00 p.m. EST  
 IN MEXICO 01-800-839-1200

Product names listed herein are trademarks of American Standard Inc.  
 © AS America, Inc. 2011

M965238 REV. 1.4 (3/15)