

Aquia® IV 1G® One-Piece Toilet, 1.0 & 0.8 GPF with WASHLET®+ S500e

FEATURES

- DYNAMAX™ TORNADO FLUSH® utilizes 360° cleaning power to reach every part of the bowl
- Ultra high-efficiency dual flush 1.0 & 0.8 GPF (3.8 & 3.0 LPF)
- CEFIONTECT® ceramic glaze prevents debris and mold from sticking to ceramic surfaces
- Design of the bowl reduces water flow resistance resulting in a quieter flushing sound
- Completely skirted design for a sleek and understated look that's easier to clean
- Elongated front bowl and WASHLET+ S500e and tank set
- Universal height
- Chrome push-button
- 12" Rough-in
- On-demand wand cleaning with EWATER+®
- Concealed supply connection for seamless installation

MODELS

- MW6463046CUMFG (#01)
With CEFIONTECT ceramic glaze & WASHLET® S500e with contemporary design

COMPONENTS

- CST646CUMFGT40
Elongated bowl with CEFIONTECT
- SW3046T40
WASHLET® S500e with contemporary design

Optional Components

- TSU08W.10
10" Unifit Rough-In
- TSU08W.14
14" Unifit Rough-In
- THU736#01-A
Push Button Assembly - Cotton
- THU736#PN-A
Push Button Assembly - Polished Nickel
- THU736#BN-A
Push Button Assembly - Brushed Nickel

COLORS/FINISHES

- #01 Cotton



-  DYNAMAX TORNADO FLUSH
-  EWATER+
-  CEFIONTECT
-  Universal Height

PRODUCT SPECIFICATION

The one-piece, ultra high-efficiency, DYNAMAX TORNADO FLUSH toilet shall be dual flush 1.0 GPF/0.8 GPF. Toilet shall be coated with CEFIONTECT, elongated front bowl, high profile tank, universal height, complete skirted bowl and chrome push-button. Toilet shall be TOTO Model MW6463046CUMFG#01.

See SW3046T40 Specification Sheet for details on included WASHLET.

CODES/STANDARDS

- Meets and exceeds ASME A112.19.2/CSA B45.1, ASME A112.19.14
- Certifications: IAPMO(cUPC®), EPA WaterSense, State of Massachusetts, and others
- Code Compliance: UPC, IPC, NSPC, NPC Canada, and others
- Legislative Compliance: California Green Building Code, City of Los Angeles Water Efficiency Ordinance, and others
- Complies with CA Prop 65 warning requirements



MW6463046CUMFG

Aquia® IV 1G® One-Piece Toilet, 1.0 & 0.8 GPF with WASHLET®+ S500e

SPECIFICATIONS

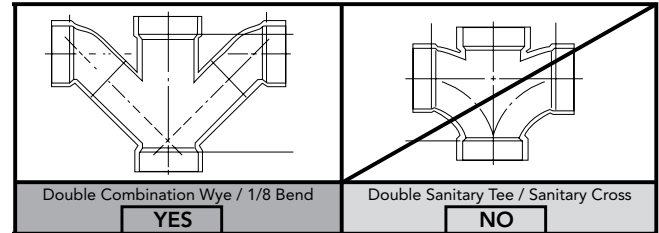
Water Use	1.0 & 0.8 GPF (3.8 & 3.0 LPF)
Flush System	DYNAMAX™ TORNADO FLUSH®
Min. Water Pressure	8 psi (Flowing)
Water Surface	5-5/8" x 4-1/8"
Trap Diameter	2-1/2"
Rough-in	12" (10" & 14" Optional)
Trap Seal	2-1/8"
Warranty	One Year Limited Warranty
Material	Vitreous China
Shipping Weight	116 lbs
Shipping Dimensions	32" L x 20" W x 17-3/4" H ¹ x 28-3/4" H ²

See SW3046T40 Specification Sheet for details on included WASHLET.

INSTALLATION NOTES

Back-to-Back Toilet Installations:

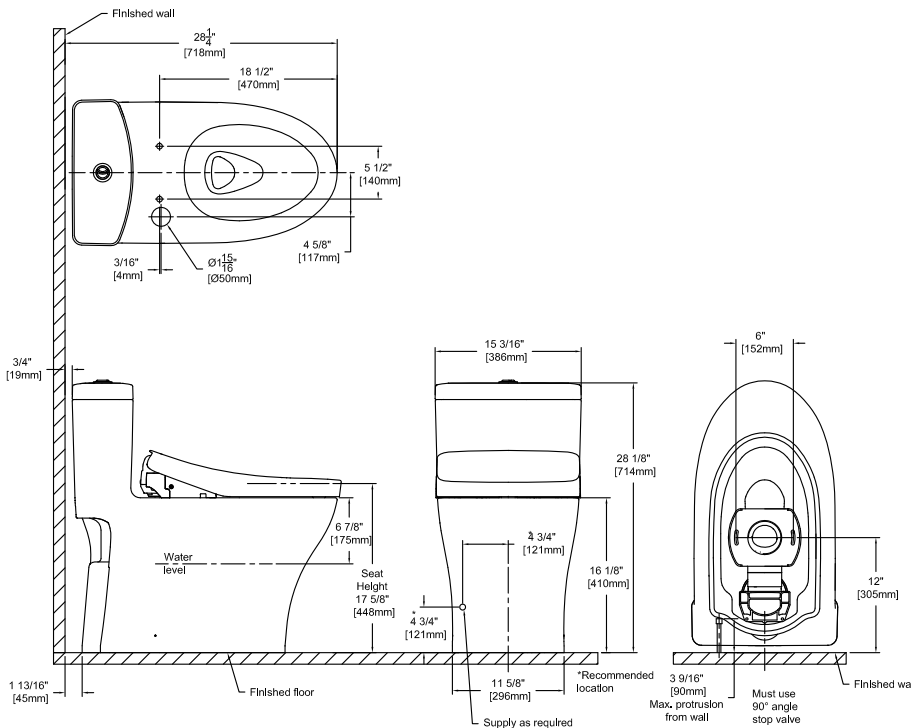
TOTO recommends the use of a nationally listed, double sanitary tee-wye only, in vertical waste stacks, in accordance with the stipulations noted in the majority of nationally recognized plumbing codes.



To maintain adequate wall gap between the back of the tank and wall, mount the floor flange at a nominal 12" rough-in distance.

Ultra-low high efficiency toilets require a system with adequate supplemental flows from other water usage fixtures and a 4" ID drainline with minimum 2% slope and maximum linear runs of 60ft.

DIMENSIONS



TOTO®

These dimensions and specifications are subject to change without notice

Ph: (888) 295-8134 | Fax: (800) 699-4889 | www.totousa.com | © TOTO USA

SS-01378 v.01