

# CARUSSO WAVE BASIN

Cat. No.  
E240



Basin Top: 12- $\frac{1}{4}$ " x 18- $\frac{1}{4}$ "  
Base: 7- $\frac{1}{2}$ " x 13- $\frac{3}{8}$ "  
Flange: 2- $\frac{1}{2}$ " round x 1" deep  
Height: 6- $\frac{1}{2}$ "

Above Counter Height: 3- $\frac{1}{8}$ "

**\*Please do NOT drill hole without  
template or actual product.**

### Interior Dimensions:

Basin Interior: 14- $\frac{1}{2}$ " x 10"  
Basin Depth: 5- $\frac{3}{4}$ "

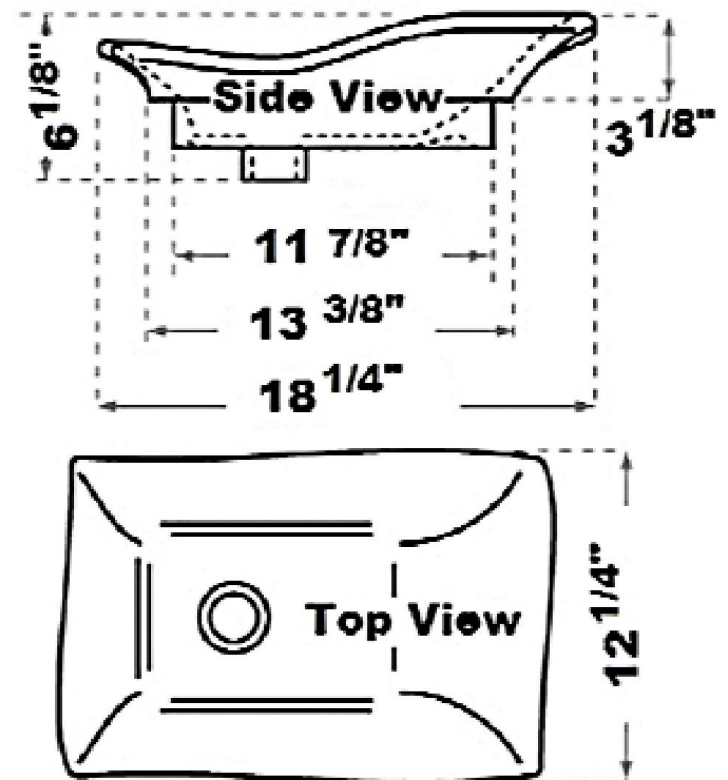
### Features:

- ▶ Made of Vitreous China
- ▶ Drops into counter
- ▶ Stylish design

### Colors:

WH White

Meets or exceeds the following specifications: ASME A112.19.2 2008 and CSA B45.1-08 for ceramic plumbing fixtures..



Dimensions of fixture are nominal and may vary within the range of tolerances established by ANSI Standard A112.19.2-2008. Dimensions and specifications subject to change without notice.