

SUSSEX 660 PEDESTAL LAVATORY

Cat. No.
3-66X



Faucet not included

W: 26"
D: 20"
H: 34-3/4"
Flange: 1-5/8"

Features:

- ▶ Made of Vitreous China
- ▶ Available for 4" centerset or 8" widespread
- ▶ IAPMO certified
- ▶ Pre-drilled overflow hole
- ▶ Mounting Hardware Included
- ▶ For ease installation order **Hangers** (pair) or **Bracket** (one)

Colors:

WH White
BQ Bisque

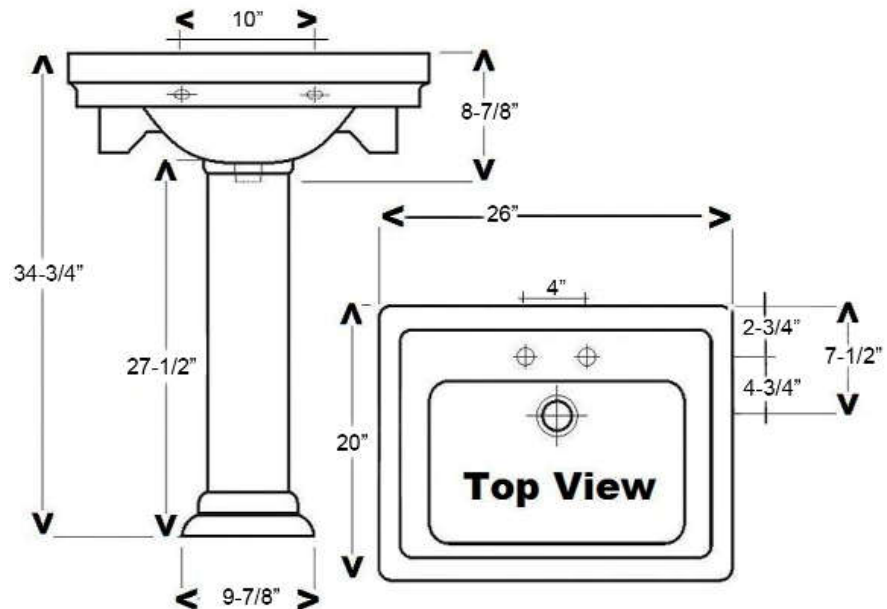


Compliance Certification

Meets or exceeds the following specifications: ASME A112.19.2 2013 and CSA B45.1-13 for ceramic plumbing fixtures.

Interior Dimensions:

Basin Interior: 19" x 12"
Basin Dept: 8-7/8"
Mount bolts height: 31-7/8"
Mount holes cc: 11-1/4"
Faucet and spout holes: 1-3/8"



Dimensions of fixture are nominal and may vary within the range of tolerances established by ASME Standard A112.19.2-2013. Dimensions and specifications subject to change without notice.