

SUSSEX 550 PEDESTAL LAVATORY

Cat. No.
3-64X



Faucet not included

W: 21-5/8"
D: 18-1/8"
H: 34-1/2"
Flange: 1-5/8"

Features:

- ▶ Made of Vitreous China
- ▶ Available for 4" centerset or 8" Widespread
- ▶ IAPMO certified
- ▶ Pre-drilled overflow hole
- ▶ Mounting Hardware Included
- ▶ For ease installation order **Hangers** (pair) or **Bracket** (one)



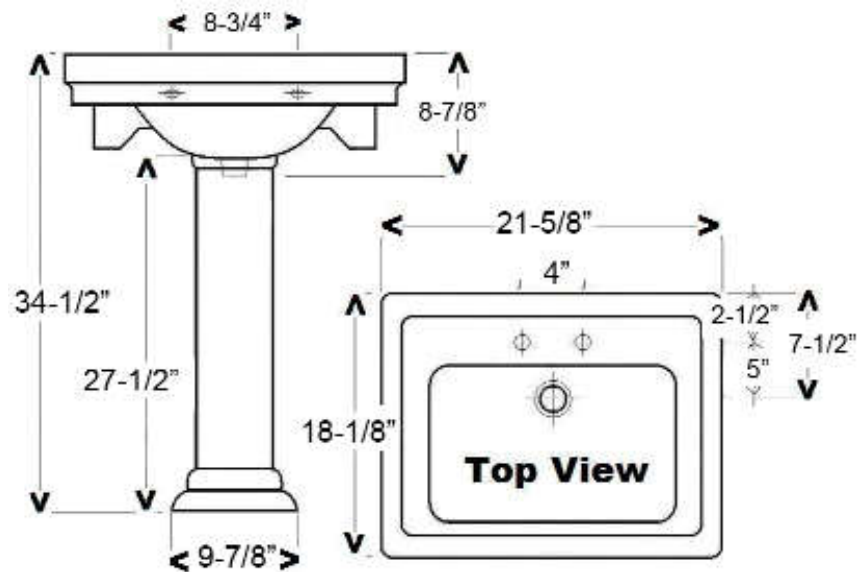
Colors:

WH White
BQ Bisque

Compliance Certification
Meets or exceeds the following specifications: ASME A112.19.2 2013 and CSA B45.1-13 for ceramic plumbing fixtures.

Interior Dimensions:

Basin Interior: 16" x 12"
Basin Depth: 8"
Mount bolts height: 32"
Mount holes cc: 8-1/2"
Faucet and spout holes: 1-3/8"



Dimensions of fixture are nominal and may vary within the range of tolerances established by ASME Standard A112.19.2-2013. Dimensions and specifications subject to change without notice.