

**ARISBEL 18"  
ROUND COPPER  
LAVATORY SINK**

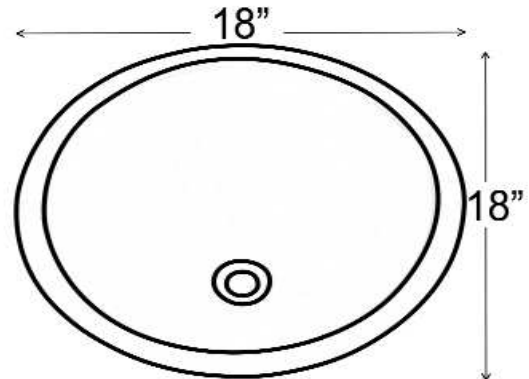
Cat. No  
7-602



**Features:**

- ▶ Made of 16 gauge metal
- ▶ 1" Flat Rim
- ▶ Accomodates 1-1/2" drain
- ▶ Polished nickel plating
- ▶ Copper is a living finish and will patina over time
- ▶ May be used in undermount or drop-in applications

Basin Diameter: 18"



Interior dimensions:

Diameter: 15-7/8"  
Basin depth: 7-5/8"

Dimensions of fixture are nominal and may vary within the range of tolerances established by ASME Standard A112.19.2. Dimensions and specifications subject to change without notice.