

14" ALEX ROUND COPPER LAVATORY SINK

Cat. No
7-601



Basin Dimensions:

Diameter: 14"
Height: 4-5/8"

Interior dimensions:

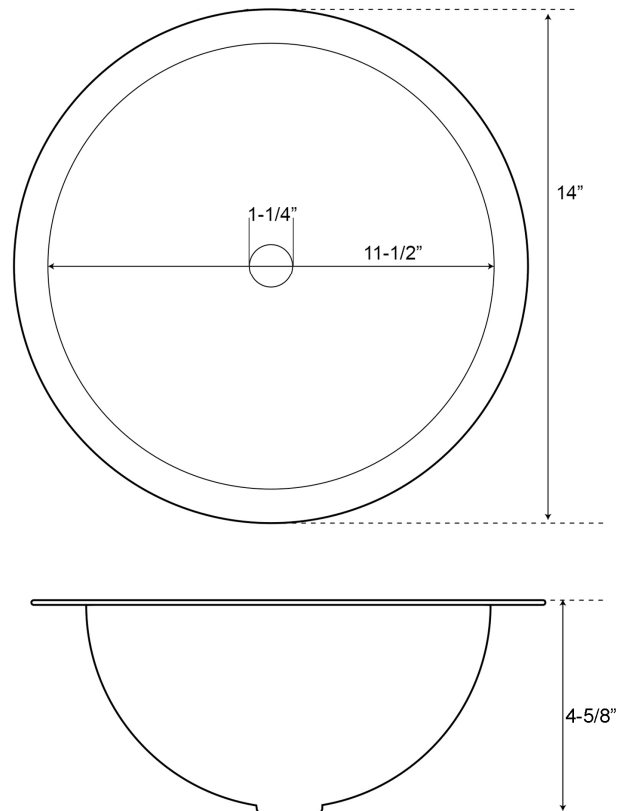
Diameter: 11-1/2"
Basin depth: 4-1/4"

Features:

- ▶ Made of 16 gauge metal
- ▶ 1" Flat Rim
- ▶ Flange measures 2-1/2 in diameter and 1/4" in height
- ▶ Accomodates 1-1/4" drain
- ▶ Polished nickel plating
- ▶ May be used in undermount or drop-in applications
- ▶ Copper is a living finish and will patina over time

Finish:

PN Polished Nickel



Dimensions of fixture are nominal and may vary within the range of tolerances established.