

ANTIGUA ROUND TEAK VESSEL

Cat. No
7-471

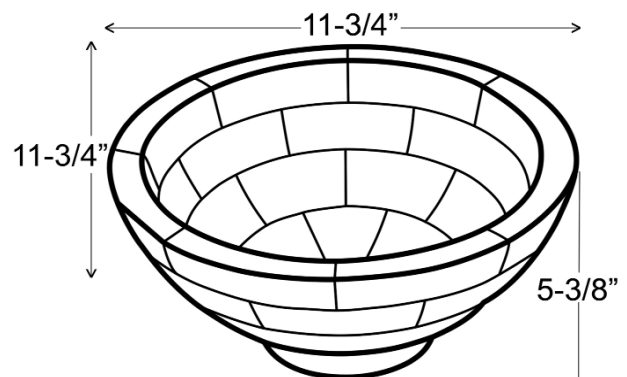


Features:

- ▶ Made of natural teak
- ▶ Kiln dried and sanded to a smooth finish
- ▶ Footed-bowl shape
- ▶ 1" Rim
- ▶ No overflow
- ▶ Sealed with an epoxy resin
- ▶ Use with grid drain 5601 or Umbrella drain UD701

Basin Diameter: 11-3/4"
Above Counter Height: 5-3/8"

Basin interior diameter: 10"
Basin depth: 4-1/4"



Please refer to our Care and maintenance instructions to preserve the natural beauty of your sink
www.barclayproducts.com/d/care.htm