

ABNER MEDIUM COPPER LAVATORY BOWL

Cat. No.
6723



Basin Dimensions:

Diameter: 15"
Height: 5-5/8"

Interior Dimensions:

Interior Basin Diameter: 11-3/4"
Basin Depth: 5-1/4"

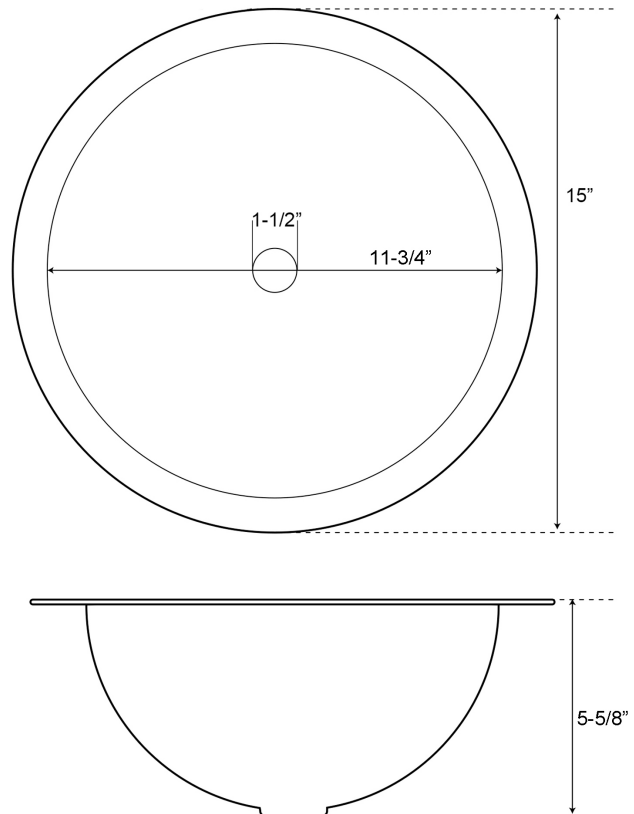
Features:

- ▶ 16 Gauge Metal
- ▶ Self-rimming
- ▶ Round
- ▶ Includes Overflow
- ▶ For use with standard 1-1/4" drain
- ▶ 1-1/2" Curved rim
- ▶ Flange measures 1-1/2" in diameter and 1/4" in height
- ▶ Also available as undermount (#6722)
- ▶ Copper is a living finish and will patina over time
- ▶ Pewter will not patina under normal circumstances

Finishes:

AC Hammered Antique Copper
PE Hammered Pewter

Compliance Certification
Material is consistent with
UNS C81100 Copper Casting
Alloy with respect to chemical
composition.



Dimensions of fixture are nominal and may vary. Dimensions and specifications subject to change without notice.