

# OPULENCE "His" 23 In ABOVE COUNTER BASIN

Cat. No  
4-372, 373



Faucet not included

W: 22<sup>7</sup>/<sub>8</sub>"  
D: 18<sup>1</sup>/<sub>2</sub>"  
H: 4<sup>3</sup>/<sub>4</sub>"

## Features:

- ▶ Fine fire clay construction
- ▶ Transitional style
- ▶ Pre-drilled overflow hole
- ▶ Rectangular basin
- ▶ Back of basin is unfinished
- ▶ Available pre-drilled for 1-hole faucet (372) or 8" widespread (373)

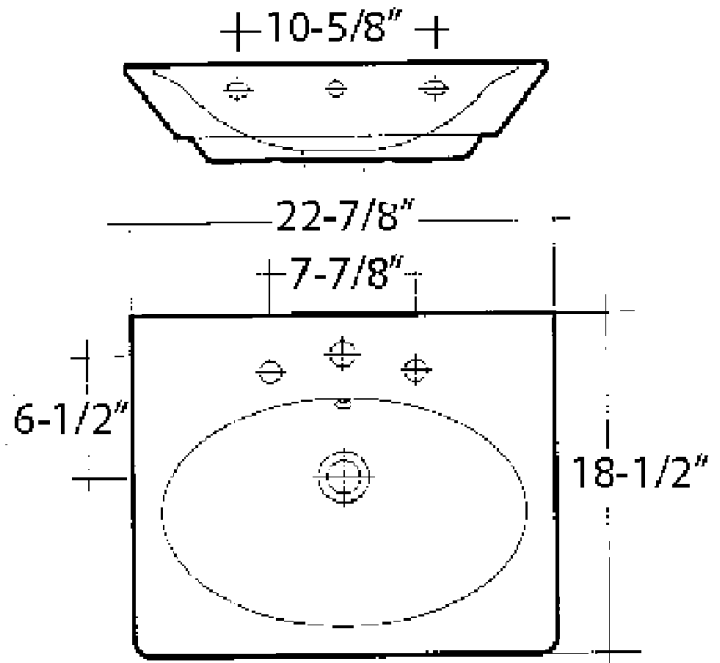
## Colors:

WH White

**Compliance Certification**  
Meets or exceeds the following specifications: ASME A112.19.2: 2013 and CSA B45.1-13 for ceramic plumbing fixtures.

## Interior Dimensions:

Basin Interior:	18 <sup>1</sup> / <sub>2</sub> " x 12"
Water depth to OF:	2 <sup>1</sup> / <sub>2</sub> "
Basin Depth:	4 <sup>1</sup> / <sub>2</sub> "
Back of basin to center of faucet:	2 <sup>3</sup> / <sub>8</sub> "
Back of basin to center of drain:	9"
Depth to overflow:	3"
Mount holes cc:	10 <sup>5</sup> / <sub>8</sub> "
Faucet and spout holes:	1 <sup>3</sup> / <sub>8</sub> "



Dimensions of fixture are nominal and may vary within the range of tolerances established by ASME Standard A112.19.2. Dimensions and specifications subject to change without notice.