

KARLA 605 WALL HUNG BASIN

Cat. No
4-84X



Faucet not included



Mounting hardware

W: 23-7/8"
D: 19-1/8"

Back of basin to center of faucet: 2-1/2"
Back of basin to center of drain: 8"

Interior Dimensions:

Basin Interior: 20" x 14"
Basin Depth: 7"
Spout hole: 1-3/8"

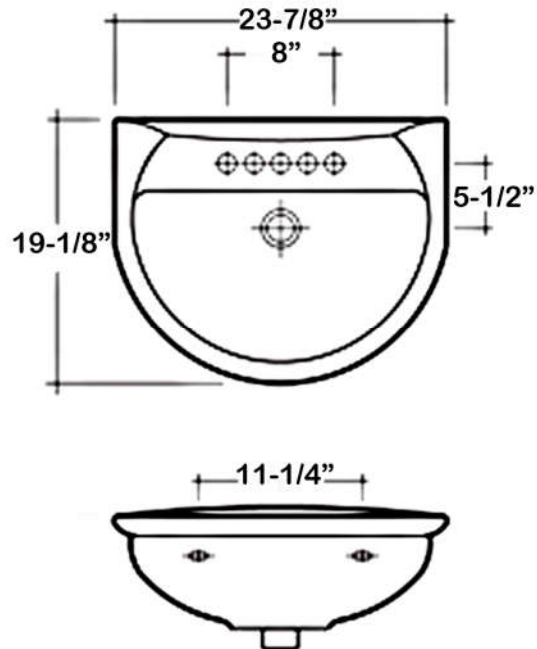
Features:

- ▶ Wall hung basin
- ▶ Made of Vitreous China
- ▶ Pre-drilled overflow hole
- ▶ Available with 1-hole(4-841), 4"cc (8-844) or 8" widespread (4-848)
- ▶ Mounting hardware included

Colors

WH White

Meets or exceeds the following specifications: ASME A112.19.2 2013 and CSA B45.1-13 for ceramic plumbing fixtures.



Dimensions of fixture are nominal and may vary within the range of tolerances established by ASME Standard A112.19.2.2013. Dimensions and specifications subject to change without notice.