

# KARLA 450 WALL HUNG BASIN

Cat. No  
4-81X



Faucet Not Included



Mounting hardware

W: 17-<sup>3</sup>/<sub>4</sub>"  
D: 14-<sup>1</sup>/<sub>8</sub>"  
H: 7"

Back of basin to center of faucet: 2-<sup>1</sup>/<sub>2</sub>"  
Back of basin to center of drain: 7"  
Mount holes cc: 7"

### Interior Dimensions:

Basin Interior: 14" x 8-<sup>1</sup>/<sub>2</sub>"  
Basin Depth: 4"  
Mount holes cc: 7"

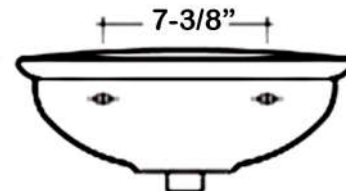
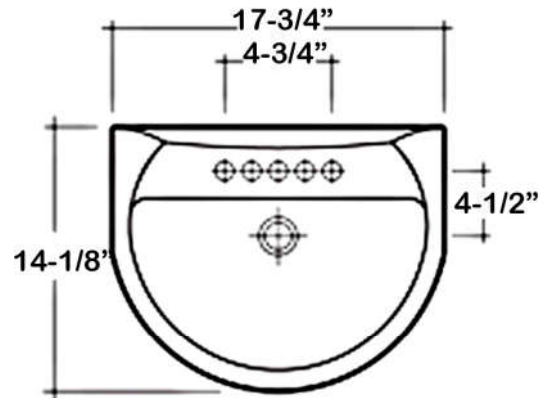
### Features:

- ▶ Wall hung basin
- ▶ Made of Vitreous China
- ▶ Available with 1-hole (4-811) or 4"cc (4-814)
- ▶ Pre-drilled overflow
- ▶ Mounting hardware included

### Colors

WH White

Meets or exceeds the following specifications: ASME A112.19.2 2013 and CSA B45.1-13 for ceramic plumbing fixtures.



Dimensions of fixture are nominal and may vary within the range of tolerances established by ASME Standard A112.19.2.2013. Dimensions and specifications subject to change without notice.