

SUMMIT 600 WALL-HUNG BASIN

Cat. No.
4-77X



Faucet Not Included



Mounting hardware

Width: 23-5/8"
Depth: 17"
Height: 7-1/2"

***Please do NOT drill hole without
template or actual product.**

Interior Dimensions:

Basin interior: 22-1/4" X 11-1/2"
Basin depth: 5-1/2"
Back of basin to center of faucet: 2"
Back of basin to center of drain: 5-3/4"
Mount holes cc: 7-1/8"
Faucet hole diameter: 1 3/8"
Weight: 25 lbs

Features:

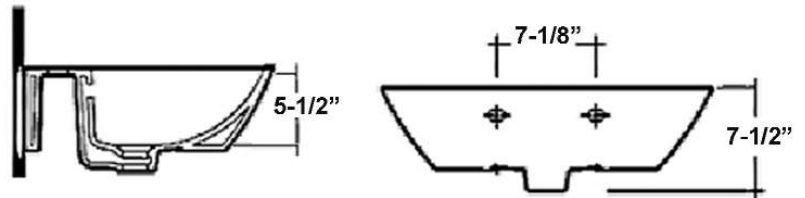
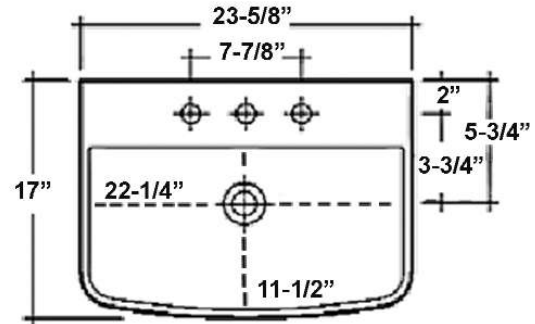
- ▶ Basin is vitreous china
- ▶ Pre-drilled for single hole (4-771) or 8" widespread (4-778)
- ▶ Accommodates 1-1/2" drain
- ▶ Pre-drilled overflow hole
- ▶ Mounting hardware included

Colors:

WH White

Compliance Certification

Meets or exceeds the following specifications: ASME A112.19.2 2013 and CSA B45.1-13 for plumbing fixtures.



Dimensions of fixture are nominal and may vary within the range of tolerances established by ANSI Standard A112.19.2. Dimensions and specifications subject to change without notice.