

OPULENCE "His" 31 In ABOVE COUNTER BASIN

Cat. No
4-360, 369



Faucet not included

Top: 31-1/2" W x 19-3/8"D
Base: 26"W x 16-1/2"D

H: 4-3/4"

Features:

- ▶ Fine fire clay construction
- ▶ Pre-drilled overflow hole
- ▶ Trapezoidal shape
- ▶ Rectangular basin
- ▶ Back of basin is unfinished
- ▶ Available pre-drilled for 1-hole faucet (**360**) or 8" widespread (**369**)

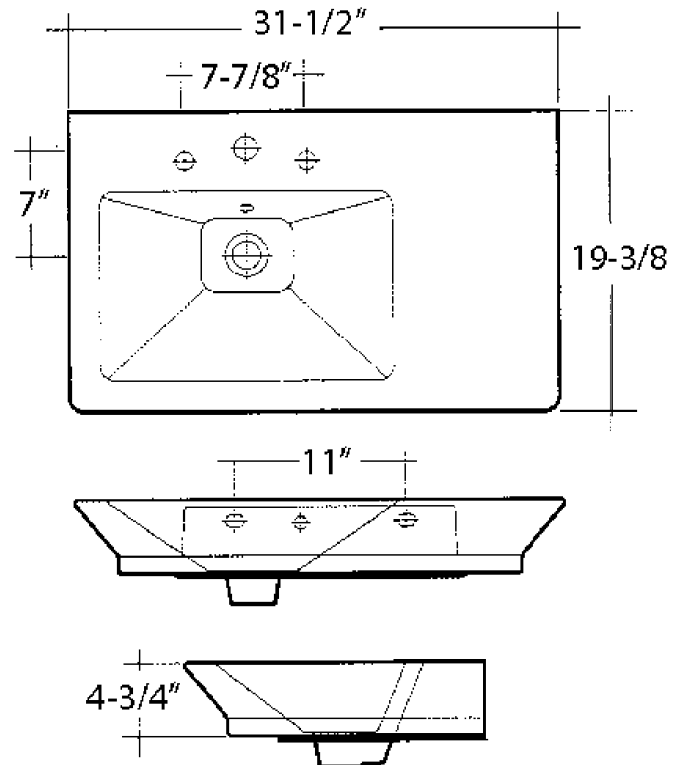
Colors:

WH White

Compliance Certification
Meets or exceeds the following specifications: ASME A112.19.2 2013 and CSA B45.1-13 for ceramic plumbing fixtures.

Interior Dimensions:

Basin Interior:	18-1/2" x 12"
Water depth to OF:	2 1/2"
Basin Depth:	4-1/2"
Back of basin to center of faucet:	2-3/8"
Back of basin to center of drain:	9"
Mount holes cc:	10-5/8"
Faucet and spout holes:	1-1/8"



Dimensions of fixture are nominal and may vary within the range of tolerances established by ASME Standard A112.19.2.2013 Dimensions and specifications subject to change without notice.