

VENICE 650 WALL HUNG BASIN

Cat. No
4-13X



Faucet not included



Mounting hardware

W	25 5/8"
D	20 1/8"
H	9"

Back of basin to center of faucet:	2-1/2"
Back of basin to center of drain:	8"
Mount holes cc:	11"

Interior Dimensions:

Basin Interior:	16-1/2" x 12"
Basin Depth:	7"

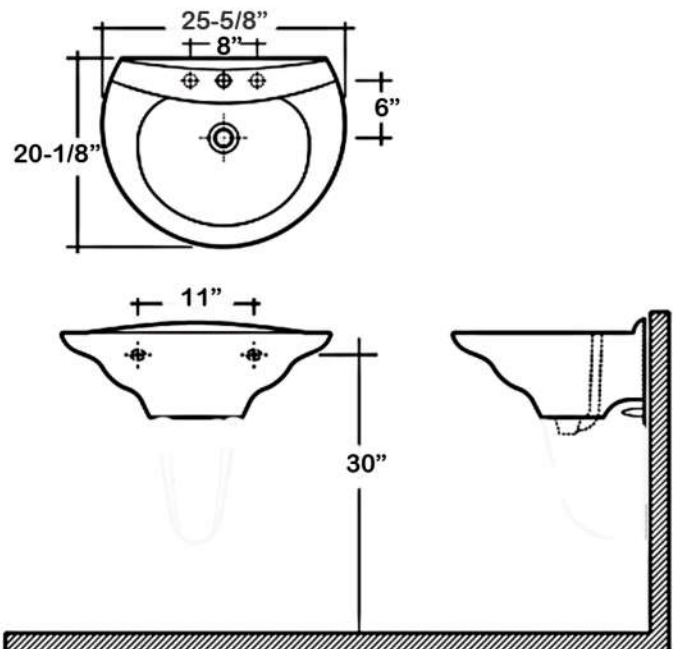
Features:

- ▶ Wall hung basin
- ▶ Made of Vitreous China
- ▶ Available with 1-hole (4-131) or 8" widespread (4-138)
- ▶ Pre-drilled overflow hole
- ▶ Mounting hardware included

Colors:

WH White

Meets or exceeds the following specifications: ASME A112.19.2 2013 and CSA B45.1-13 for ceramic plumbing fixtures.



Dimensions of fixture are nominal and may vary within the range of tolerances established by ASME Standard A112.19.2-2013. Dimensions and specifications subject to change without notice.