

# EDEN 520 WALL-HUNG

Cat. No.  
4-111X



Faucet Not Included



Mounting hardware

Width: 20-1/2"  
Depth: 17"  
Height: 6-1/4"

**\*Please do NOT drill hole without  
template or actual product.**

### Interior Dimensions:

Basin interior:	18" X 10-1/2"
Basin depth:	6-1/4"
Back of basin to center of faucet:	2-1/2"
Back of basin to center of drain:	8-1/4"
Mount holes cc:	11"
Faucet hole diameter:	1 3/8"
Weight:	22 lbs

### Features:

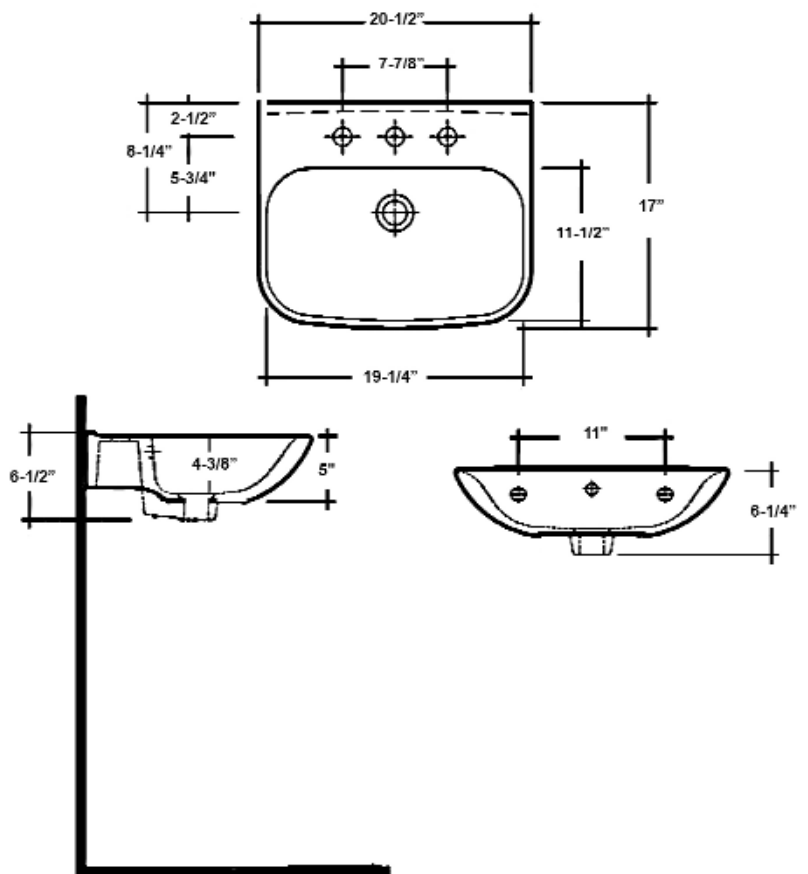
- ▶ Vitreous China
- ▶ Available for 1-hole (4-1111) or 8" widespread (4-1118)
- ▶ Pre-drilled overflow hole
- ▶ Mounting hardware included

### Colors:

WH White

#### Compliance Certification

Meets or exceeds the following specifications: ASME A112.19.2 2013 and CSA B45.1-13 for plumbing fixtures.



Dimensions of fixture are nominal and may vary within the range of tolerances established by ANSI Standard A112.19.2. Dimensions and specifications subject to change without notice.