

RESORT 650 PEDESTAL LAVATORY

Cat. No.
3-108X



Faucet not included

W: 25⁵/₈"
D: 18¹/₈"
H: 35¹/₄"

Compliance Certification

Meets or exceeds the following specifications: ASME A112.19.2 2013 and CSA B45.1-13 for Vitreous China fixtures.

Interior Dimensions:

| | |
|------------------------------------|--|
| Basin interior: | 20 ¹ / ₂ " X 11" |
| Basin depth: | 4 ¹ / ₂ " |
| Mount bolts height: | 32" |
| Mount holes cc: | 11" |
| Back of basin to center of faucet: | 2 ¹ / ₄ " |
| Back of basin to center of drain: | 8 ¹ / ₄ " |
| Faucet hole diameter: | 1 ³ / ₈ " |

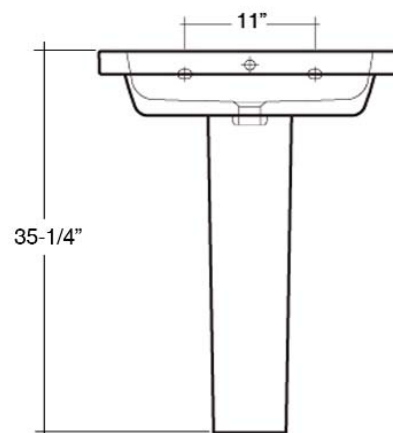
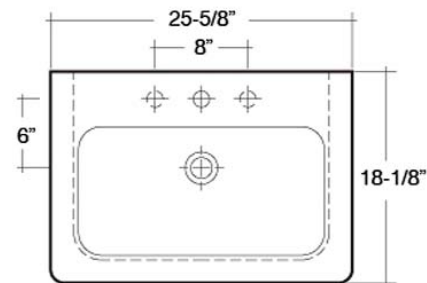
Features:

- ▶ Made of Vitreous China
- ▶ Available for 1 hole (3-1081) or 8" Widespread (3-1088)
- ▶ Pre-drilled overflow hole
- ▶ Back of column is open
- ▶ Column tapers
- ▶ Mounting Hardware Included
- ▶ For ease installation order Hangers (pair) or Bracket (one)



Colors:

WH White



Dimensions of fixture are nominal and may vary within the range of tolerances established by ASME Standard A112.19.2-2008. Dimensions and specifications subject to change without notice.