

60" S

Item Number:

JAMES MARTIN

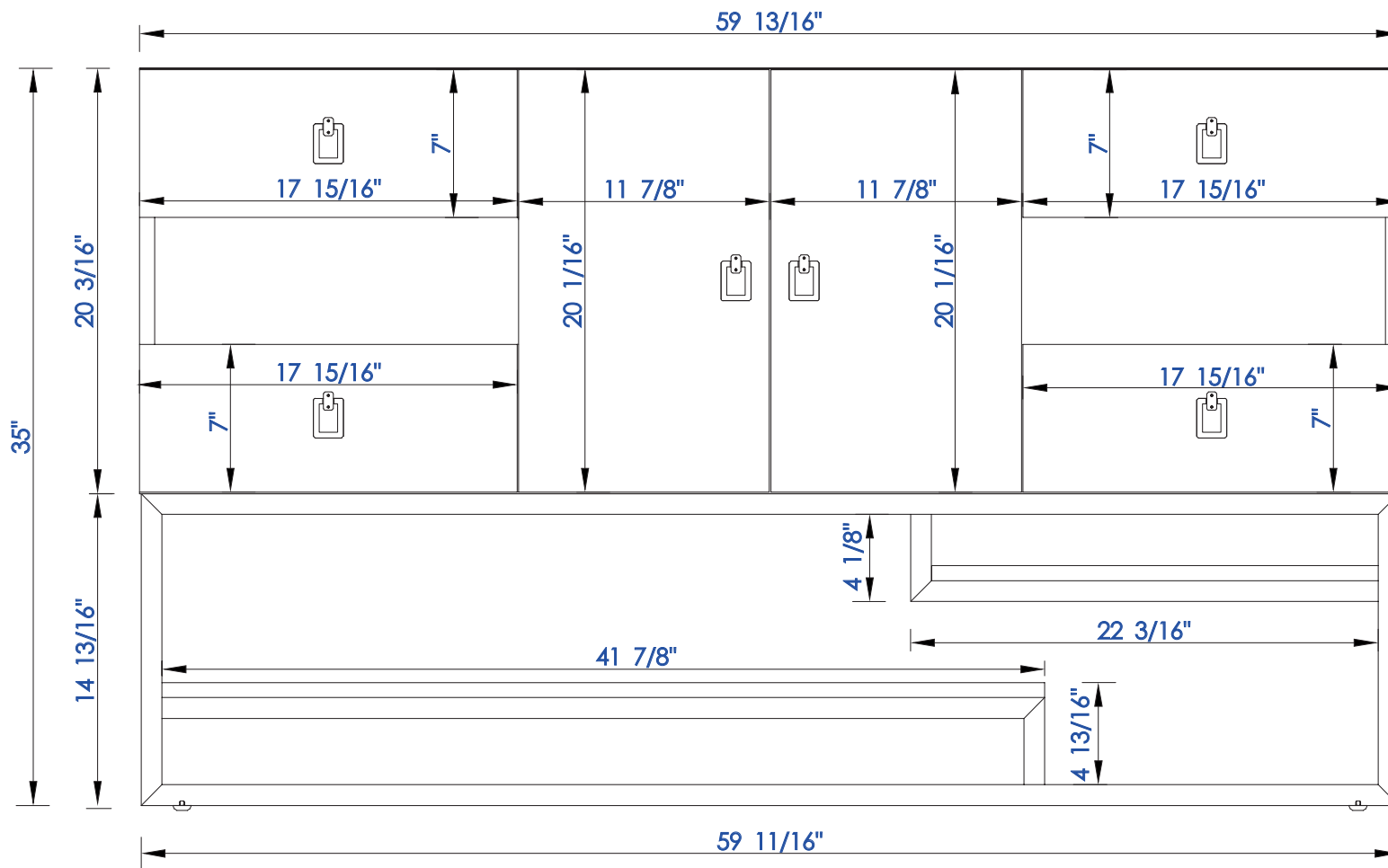
Sonoran 60" Single Vanity

864-V60S-CFO



Diagrams with Dimensions
page 01 of 03

VANITIES



NOTE ONE: Countertops are not shown in these diagrams. (Cabinet Only)

NOTE TWO: This vanity does not have a Backsplash.

Please consult our website for Countertop Diagrams: www.jamesmartinvanities.com

60" S

Item Number:

864-V60S-CFO

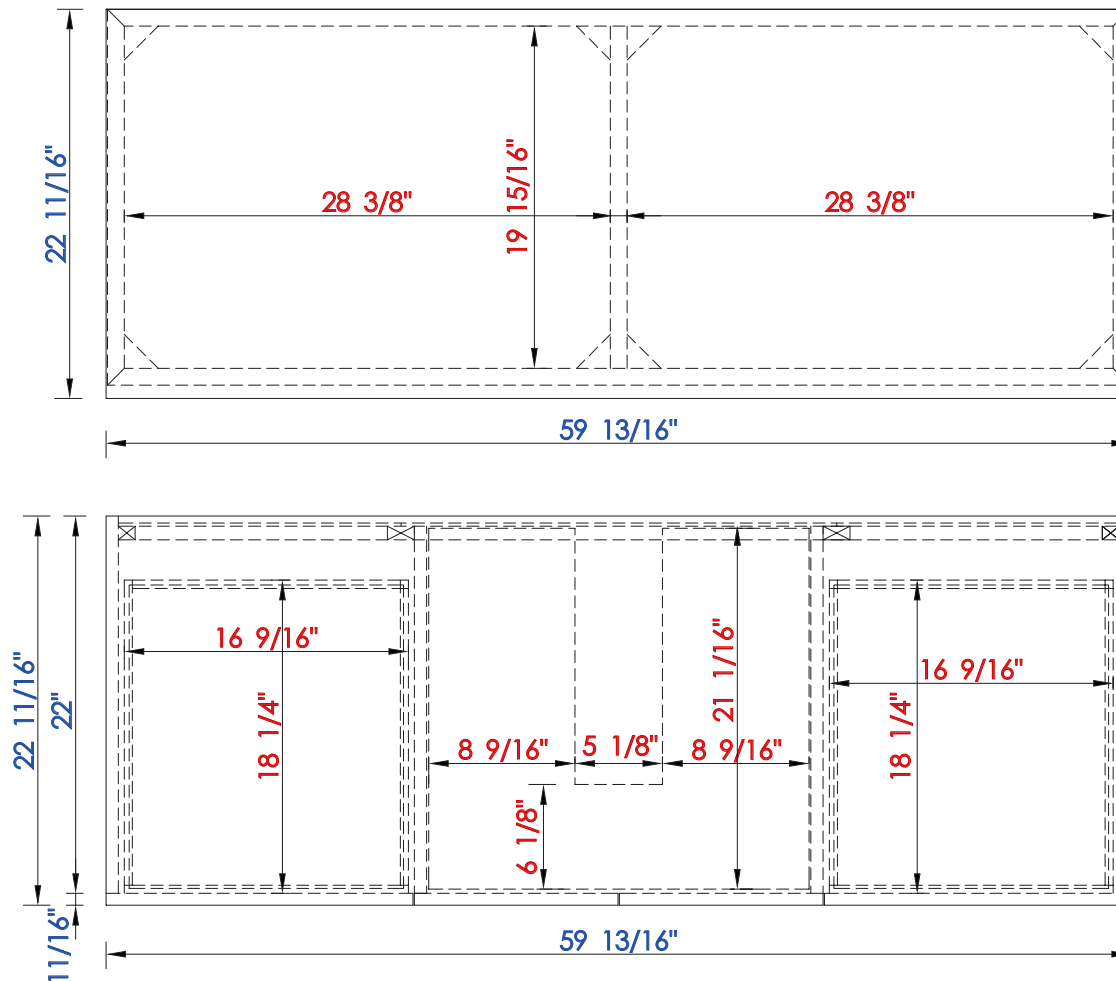
JAMES MARTIN



VANITIES

Sonoran 60" Single Vanity

Diagrams with Dimensions
page 02 of 03



NOTE ONE: Countertops are not shown in these diagrams. (Cabinet Only)

NOTE TWO: Internal Shelves (Shown) are designed to align with sinks in James Martin's Optional Countertops.

Customers' own countertops and sinks may align differently, and modification may be required.

Please consult our website for Countertop Diagrams: www.jamesmartinvanities.com

60" S

Item Number:

864-V60S-CFO

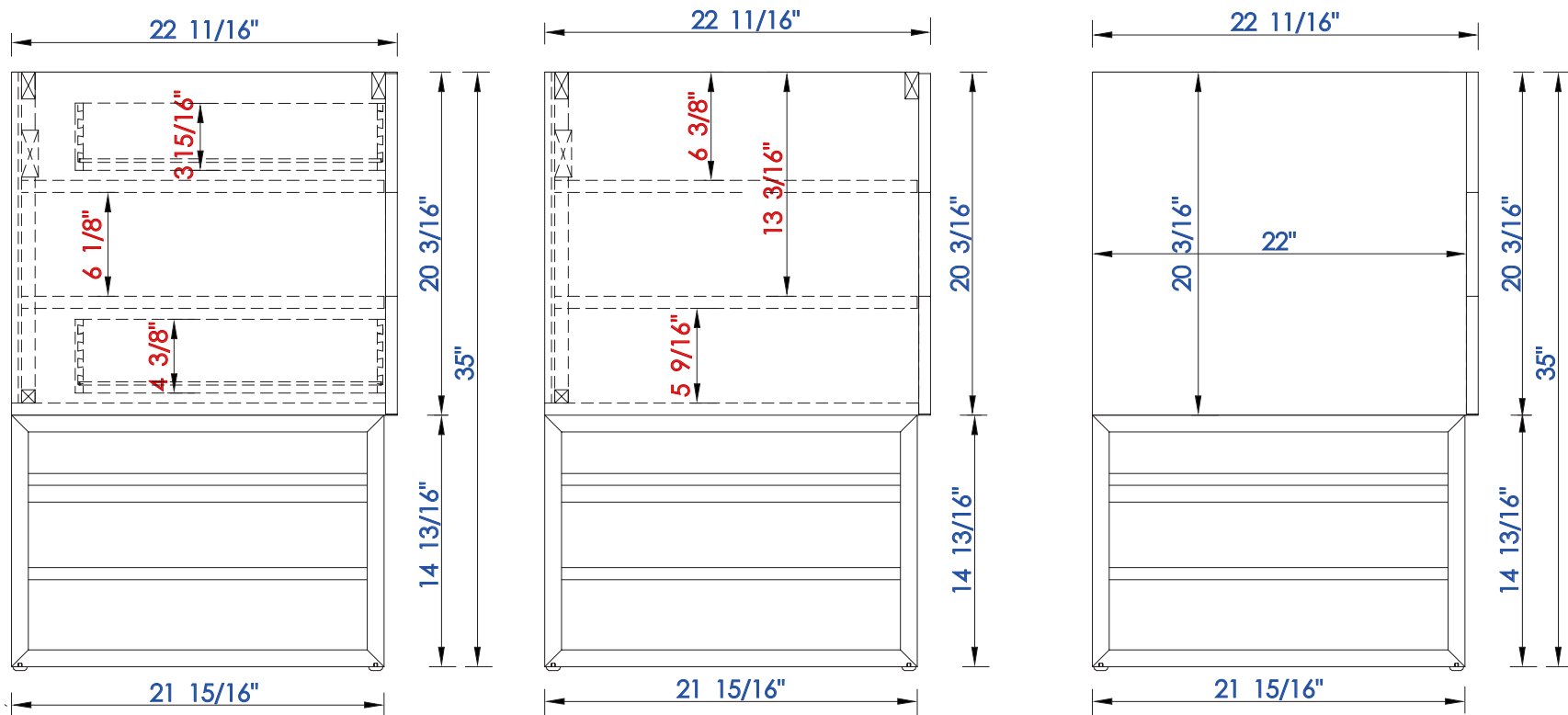
JAMES MARTIN



VANITIES

Sonoran 60" Single Vanity

Diagrams with Dimensions
page 03 of 03



NOTE ONE: Countertops are not shown in these diagrams. (Cabinet Only)

NOTE TWO: This vanity does not have a Backsplash.

Please consult our website for Countertop Diagrams: www.jamesmartinvanities.com

1524 mm

Item Number:

JAMES MARTIN

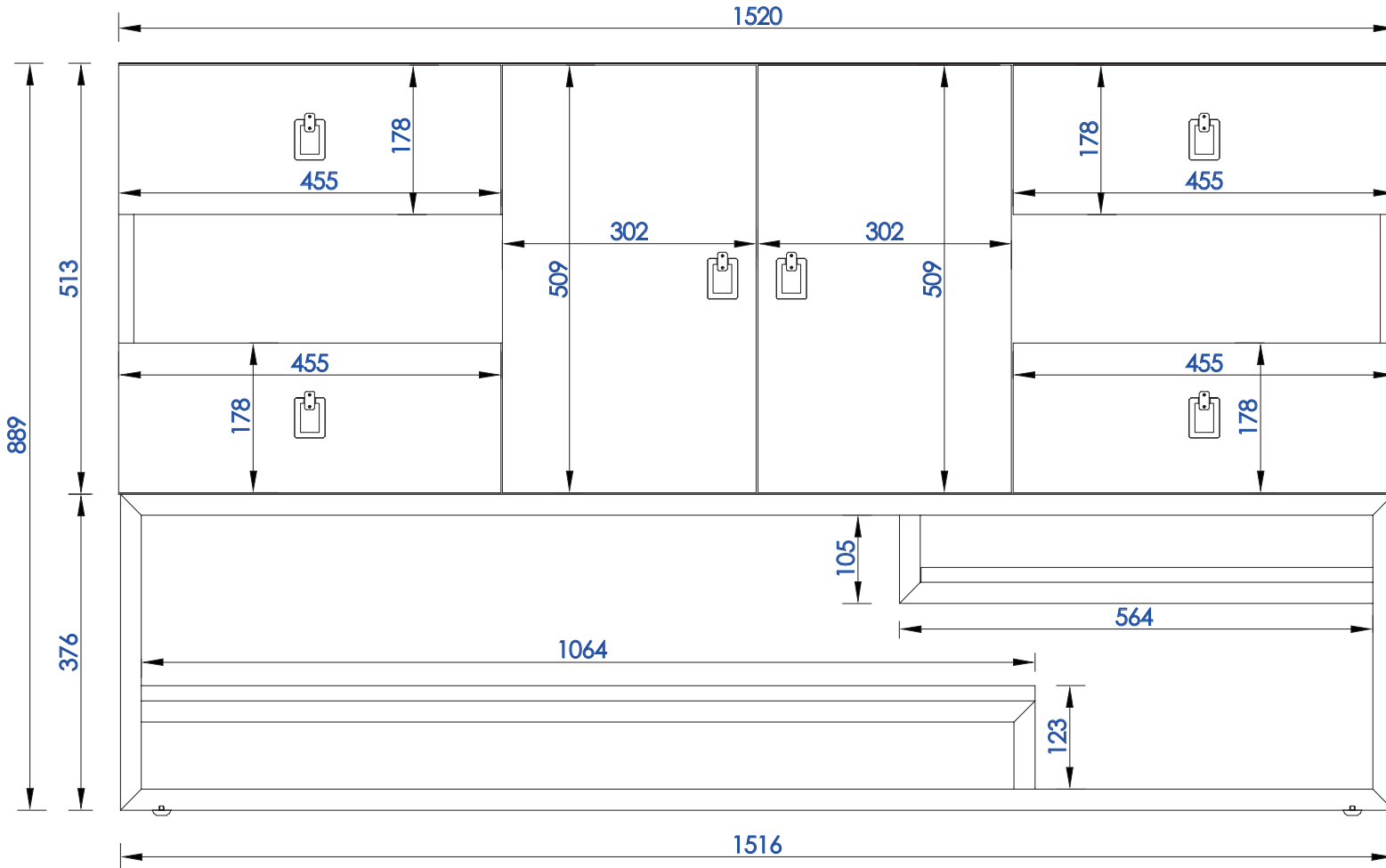
Sonoran 1524mm Single Vanity

864-V60S-CFO



VANITIES

Diagrams with Dimensions
page 01 of 03



NOTE ONE: Countertops are not shown in these diagrams. (Cabinet Only)

NOTE TWO: This vanity does not have a Backsplash.

Please consult our website for Countertop Diagrams: www.jamesmartinvanities.com

1524 mm

Item Number:

864-V60S-CFO

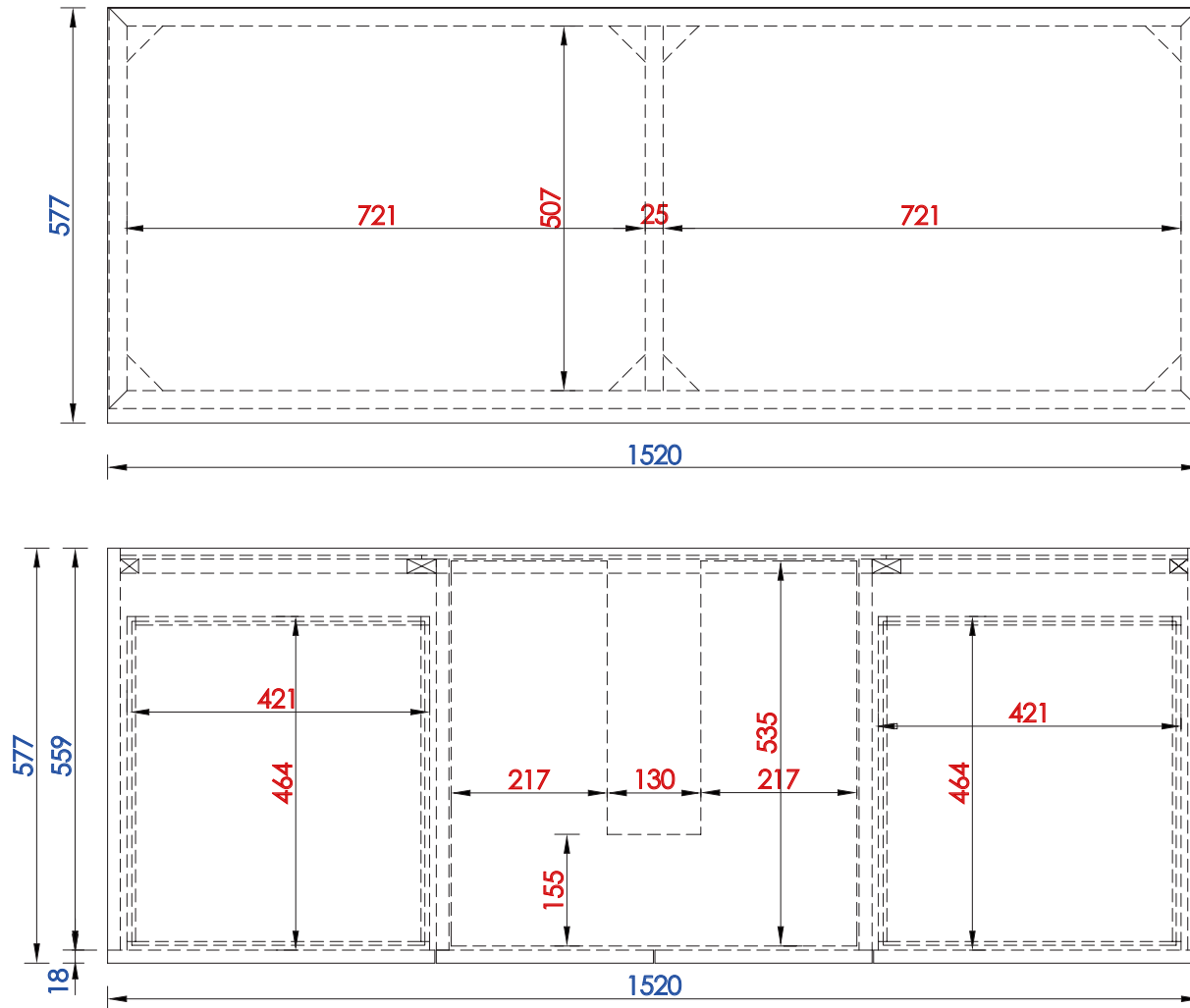
JAMES MARTIN



VANITIES

Sonoran 1524mm Single Vanity

Diagrams with Dimensions
page 02 of 03



NOTE ONE: Countertops are not shown in these diagrams. (Cabinet Only)

NOTE TWO: Internal Shelves (Shown) are designed to align with sinks in James Martin's Optional Countertops.

Customers' own countertops and sinks may align differently, and modification may be required.

Please consult our website for Countertop Diagrams: www.jamesmartinvanities.com

1524 mm

Item Number:

864-V60S-CFO

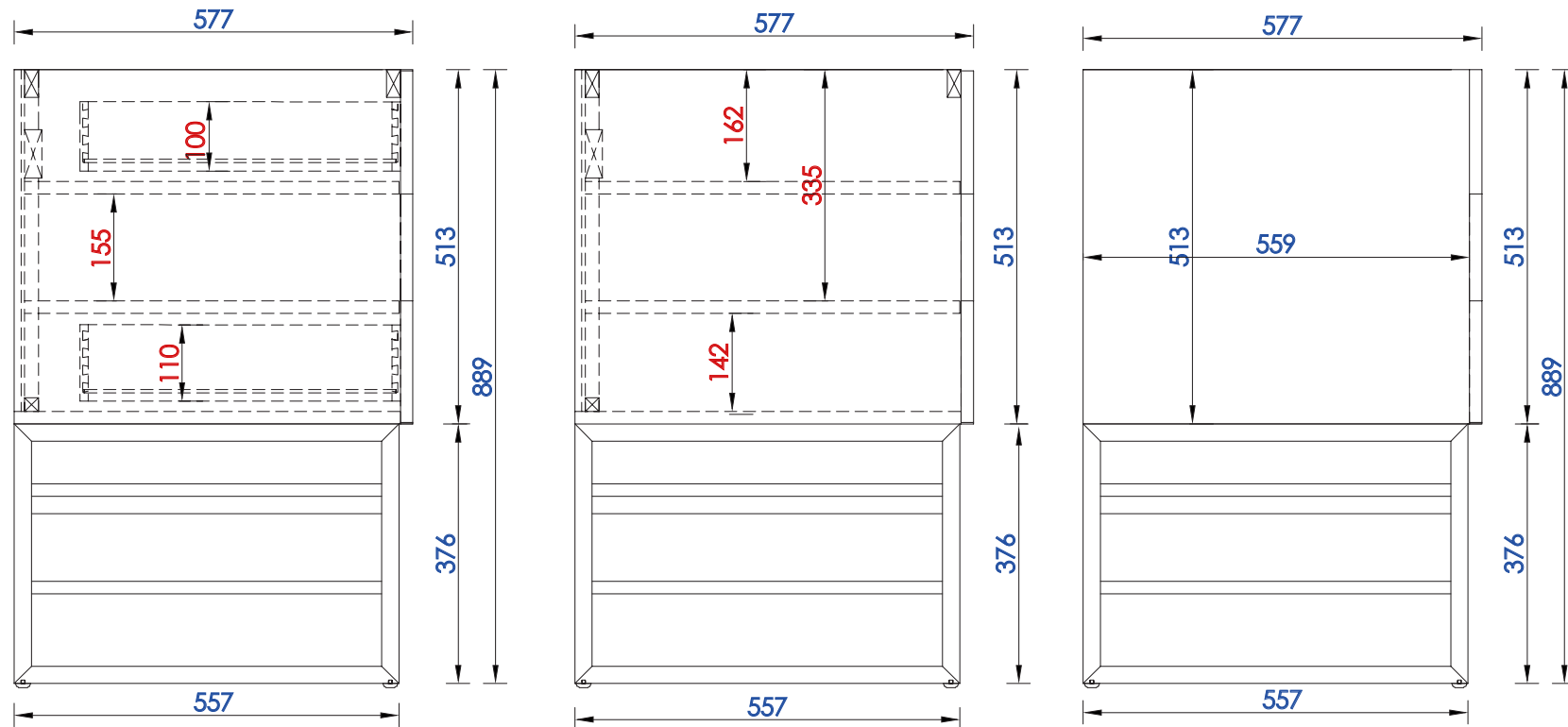
JAMES MARTIN



VANITIES

Sonoran 1524mm Single Vanity

Diagrams with Dimensions
page 03 of 03



NOTE ONE: Countertops are not shown in these diagrams. (Cabinet Only)

NOTE TWO: This vanity does not have a Backsplash.

Please consult our website for Countertop Diagrams: www.jamesmartinvanities.com