

**DOYLE  
67" CAST IRON  
DOUBLE ROLL  
TOP TUB**

Cat. No.  
CTDRN67-PI-PI



L: 67-<sup>3</sup>/<sub>4</sub>"  
W: 31"  
H: 23-<sup>1</sup>/<sub>4</sub>" (from floor to top of tub)  
18-<sup>1</sup>/<sub>2</sub>" (from bottom of tub to top of tub)

Water depth: 15" to overflow  
Slope: 30°

**The following is recommended for CTDRN67-PI-PI tubs without faucet holes:**

- Faucets: part #4602, 4604 or 7082
- Rigid, freestanding supplies: part #4502
- Freestanding filler: part #7934, 7952 or 7918
- Leg tub drain: part #5599

Gallon Capacity: 55  
Shipping Weight: 570 lbs.  
Empty Weight: 350 lbs.  
Filled Weight: 809 lbs.



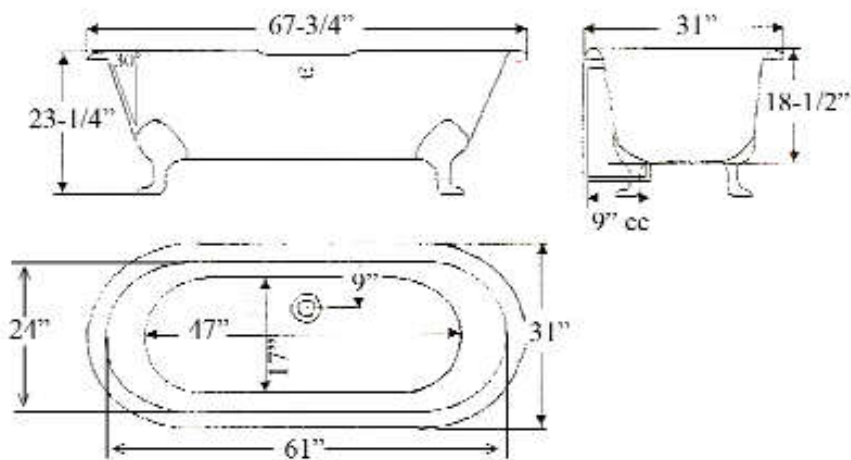
**WARNING:** This product can expose you to chemicals, including lead which is known to the State of California to cause cancer or birth defects or other reproductive harm, for more information, go to [www.p65warnings.ca.gov](http://www.p65warnings.ca.gov)

**Features:**

- ▶ Inside finish is white enamel
- ▶ Cast Iron imperial feet
- ▶ Tub exterior is Polished
- ▶ No faucet holes with tap deck
- ▶ Pre-drilled overflow hole
- ▶ Non-skid strips
- ▶ Feet are attached and leveled before shipment
- ▶ Tub is thoroughly inspected before shipment



This tub is raw cast iron with a polished finish showing all the flaws of the natural metal. Call our Customer Service department if you would like to see additional closeup images before purchase.



Dimensions and specifications subject to change without notice.