

# ALEXIA 53" ACRYLIC ROLL TOP TUB

Cat. No.  
ATRN53



L: 54"  
W: 29-5/8"  
H: 22-1/2"

Water depth: 17-1/2" to top of tub  
Water depth: 13" to overflow  
Overflow hole: 1 1/2"

**The following is recommended for ATRN tubs:**

- Faucets: part #4602, 4604 or 7082
- Rigid, freestanding supplies: part #4502
- Leg tub drain: part #5599

Gallon Capacity : 59  
Shipping Weight: 358 lbs.  
Empty Weight: 178 lbs.  
Filled Weight: 671 lbs.



WARNING: This product can expose you to chemicals, including Toluene and Styrene, which are known to the state of California to cause cancer and birth defects or other reproductive harm.  
For more information go to [www.P65Warnings.ca.gov](http://www.P65Warnings.ca.gov)

## Features:

- ▶ Interior and exterior walls acrylic sheets
- ▶ Space between walls partially filled with fiberglass & resin
- ▶ No faucet holes
- ▶ Pre-drilled overflow hole
- ▶ Solid brass ball and claw feet available in 4 finishes
- ▶ Tub is thoroughly inspected before shipment

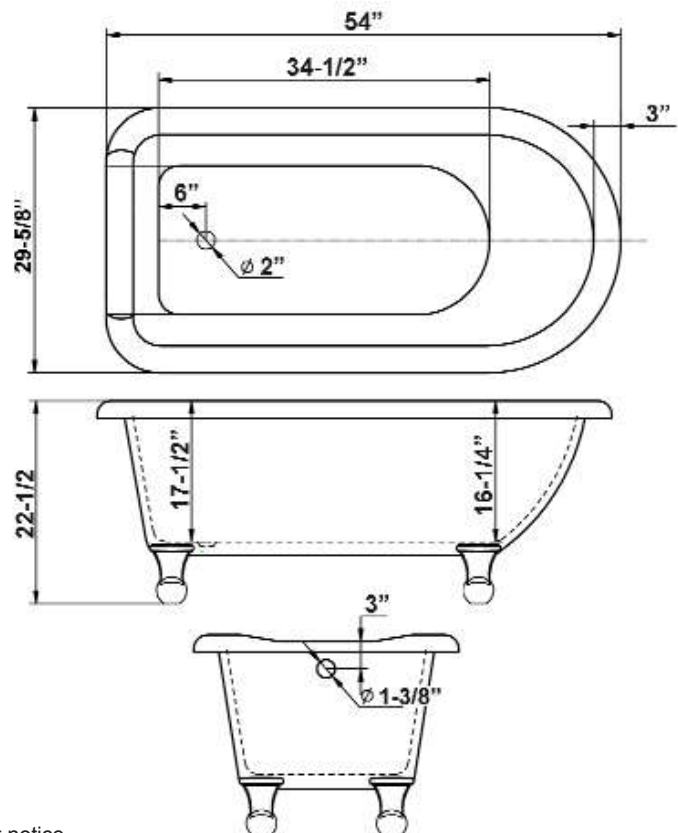
## Foot Finishes:

BN Brushed Nickel  
CP Polished Chrome



PB Polished Brass  
ORB Oil Rubbed Bronze

**Custom Colors Available** (inside of tub is always white enamel):  
Painted bathtubs are considered "special order" and are not returnable  
\$160 Bisque or Black \$250 Designer Color



Dimensions of fixture are nominal and specifications subject to change without notice.