

**VINCENT
71" ACRYLIC
RECTANGULAR TUB**

Cat. No.
ATREC71



L: 70-5/8"
W: 33-1/4"
H: 22-7/8"

Water depth: 17-1/2" to top of tub

**The following is recommended for
ATREC71-WH tubs:**

- Faucets: part #7901 or 7913
- Leg tub drain: part #5599LT

Gallon Capacity : 74
Shipping Weight: 197 lbs.
Empty Weight: 97 lbs.
Filled Weight : 715 lbs.



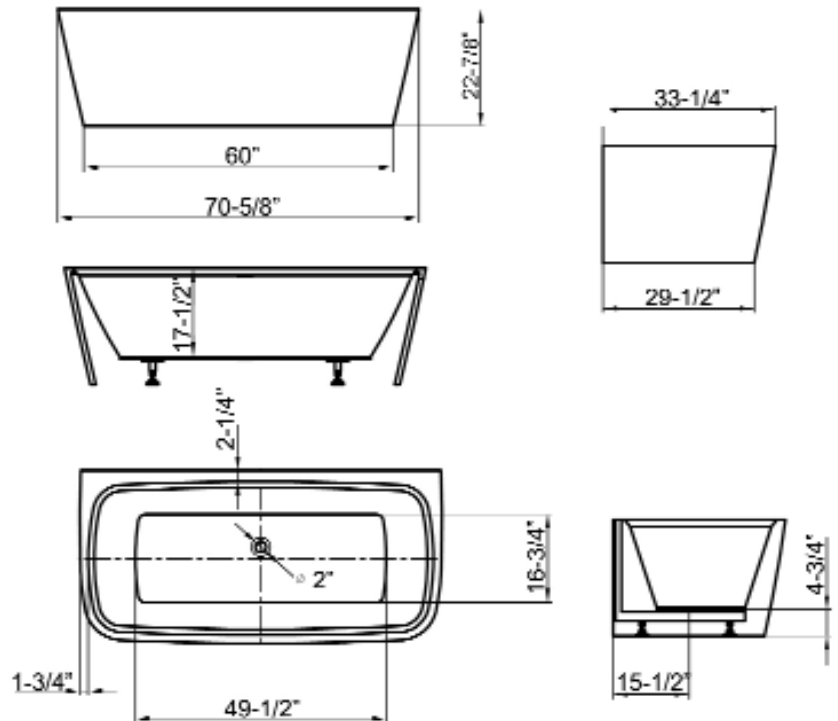
WARNING: This product can expose you to chemicals, including Toluene and Styrene, which are known to the state of California to cause cancer and birth defects or other reproductive harm. For more information go to www.P65Warnings.ca.gov

Features:

- ▶ Acrylic construction for lighter weight
- ▶ Tub is completely opened from behind
- ▶ Tub fits flush against the wall
- ▶ Built in adjusters
- ▶ Sleek design compliments many decors
- ▶ No faucet holes
- ▶ No overflow
- ▶ Tub is thoroughly inspected before shipment
- ▶ IAPMO Certified



Custom Colors Available (inside of tub is always white enamel):
Painted bathtubs are considered "special order" and are not returnable
\$160 Bisque or Black \$250 Designer Color



Dimensions of fixture are nominal and specifications subject to change without notice.