

ALEXIA 53" ACRYLIC ROLL TOP TUB

Cat. No.
ATR7H53



L: 54"
W: 29-5/8"
H: 22-1/2"

Water depth: 17-1/2" to top of tub
Water depth: 13" to overflow
Overflow hole: 1 1/2"

**The following is recommended
for ATR7H53 tubs:**

- Rim-mounted faucets: part #4601 or 4201
- Use with Straight Bath Supplies: part #5577
- Leg tub drain: part #5599

Gallon Capacity : 59
Shipping Weight: 358 lbs.
Empty Weight: 178 lbs.
Filled Weight: 671 lbs.

Features:

- ▶ Interior and exterior walls acrylic sheets
- ▶ Space between walls partially filled with fiberglass & resin
- ▶ Solid brass ball and claw feet
- ▶ 7" centers in tub deck
- ▶ Pre-drilled overflow hole
- ▶ Tub is thoroughly inspected before shipment



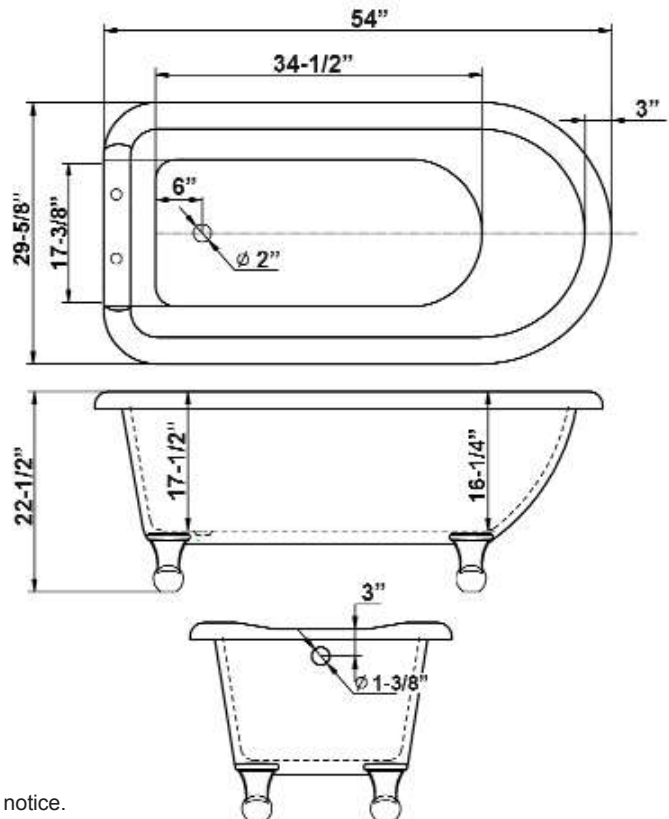
Foot Finishes:

- BN** Brushed Nickel
- PB** Polished Brass
- CP** Polished Chrome
- ORB** Oil Rubbed Bronze



WARNING: This product can expose you to chemicals, including Toluene and Styrene, which are known to the state of California to cause cancer and birth defects or other reproductive harm.
For more information go to www.P65Warnings.ca.gov

Custom Colors Available (inside of tub is always white enamel):
Painted bathtubs are considered "special order" and are not returnable
\$160 Bisque or Black \$250 Designer Color



Dimensions of fixture are nominal and specifications subject to change without notice.