

**MENA
68" ACRYLIC
DOUBLE SLIPPER TUB**

Cat. No.
ATDSN68I



L: 68-1/8"
W: 29-5/8"
H: 32"

Water depth: 17" to top of tub

The following is recommended for ATDSN68I tubs:

- Faucets: part #4602, 4022 or 4025
- Rigid, freestanding supplies: part #4502
- Freestanding filler: part #7901, 7918 or 7934
(Does not need bath supplies)
- Leg tub drain: part #5599LT or 5599TS



Overflow can be drilled. With overflow drilled this tub requires drain **5599**. **Tubs that have been drilled with overflow are "special order" and are not returnable.**

Gallon Capacity : 58
Shipping Weight: 202 lbs.
Empty Weight: 92 lbs.
Filled Weight: 577 lbs.

Features:

- ▶ Interior and exterior walls acrylic sheets
- ▶ No faucet holes
- ▶ No overflow
- ▶ Solid Brass Imperial feet available in 4 finishes
- ▶ Tubs shipped with feet attached and leveled
- ▶ Tub is thoroughly inspected before shipment



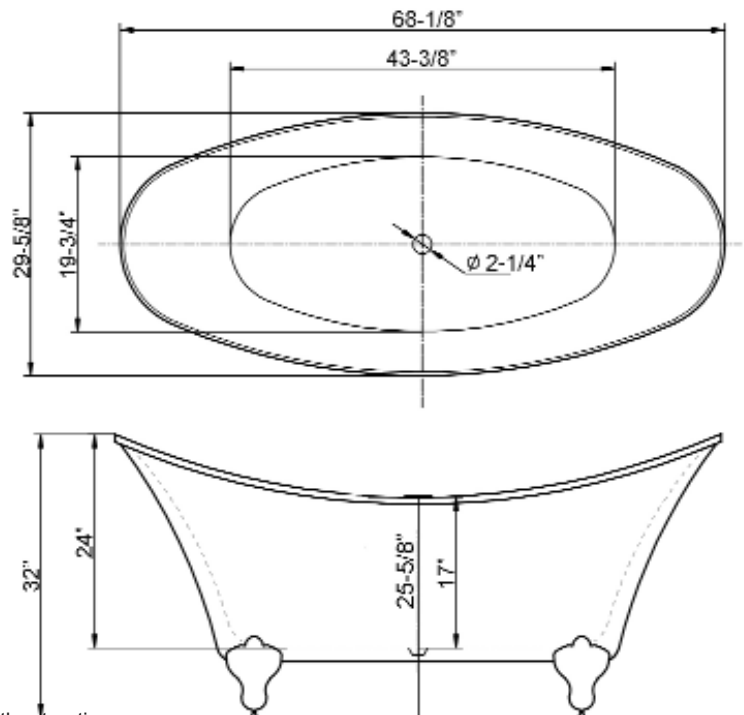
Feet Finishes:

- BN** Brushed Nickel
- CP** Polished Chrome
- PB** Polished Brass
- ORB** Oil Rubbed Bronze



WARNING: This product can expose you to chemicals, including Toluene and Styrene, which are known to the state of California to cause cancer and birth defects or other reproductive harm. For more information go to www.P65Warnings.ca.gov

Custom Colors Available (inside of tub is always white enamel):
Painted bathtubs are considered "special order" and are not returnable
\$160 Bisque or Black \$250 Designer Color



Dimensions of fixture are nominal and specifications subject to change without notice.