

**63" MONTERREY
ACRYLIC DOUBLE
SLIPPER TUB**

Cat. No.
ATDS7H63RB



L: 63"
W: 28"
H: 28"

Water depth: 16-5/8" to top of tub
Plinth: 20" wide

Features:

- ▶ Interior and exterior walls acrylic sheets
- ▶ Space between walls partially filled with fiberglass & resin
- ▶ 7" Centers in tub deck
- ▶ No overflow
- ▶ Built-in adjusters included
- ▶ Tub is thoroughly inspected before shipment



WARNING: This product can expose you to chemicals, including Toluene and Styrene, which are known to the state of California to cause cancer and birth defects or other reproductive harm.
For more information go to www.P65Warnings.ca.gov

Custom Colors Available (inside of tub is always white enamel):
Painted bathtubs are considered "special order" and are not returnable
\$160 Bisque or Black \$250 Designer Color

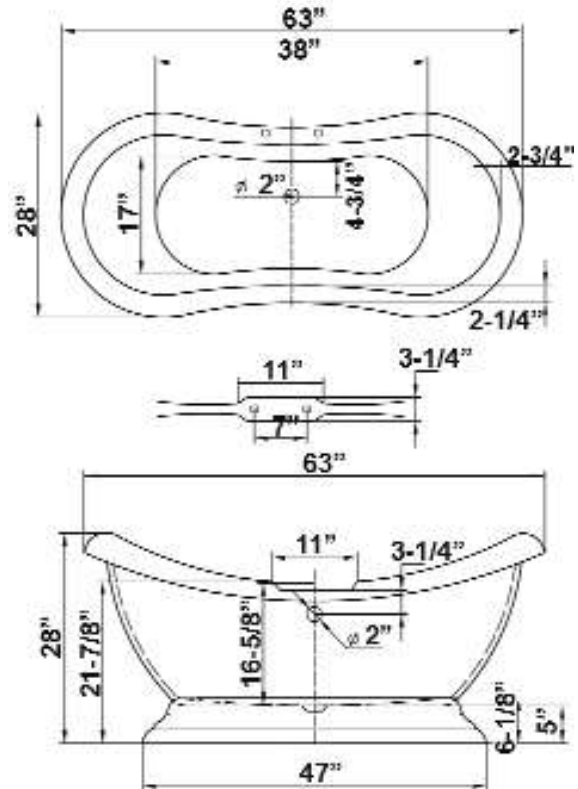
The following is recommended for ATDSNTD tubs:

- Faucets: #4602, #4063 or #4604
- Freestanding Bath Supplies: #4502
- Freestanding Faucets: #7922, 7932, or 7918
(Do Not Need Bath Supplies)
- Leg tub drain: part #5599LT or #5599TS



Overflow can be drilled.
With overflow drilled this tub requires drain **5599**.
Tubs that have been drilled with overflow are "special order" and are not returnable.

Gallon Capacity: 43
Shipping Weight: 296 lbs.
Empty Weight: 100 lbs.
Filled Weigh: 459 lbs.



Dimensions of fixture are nominal and specifications subject to change without notice.